



**WCI46B**

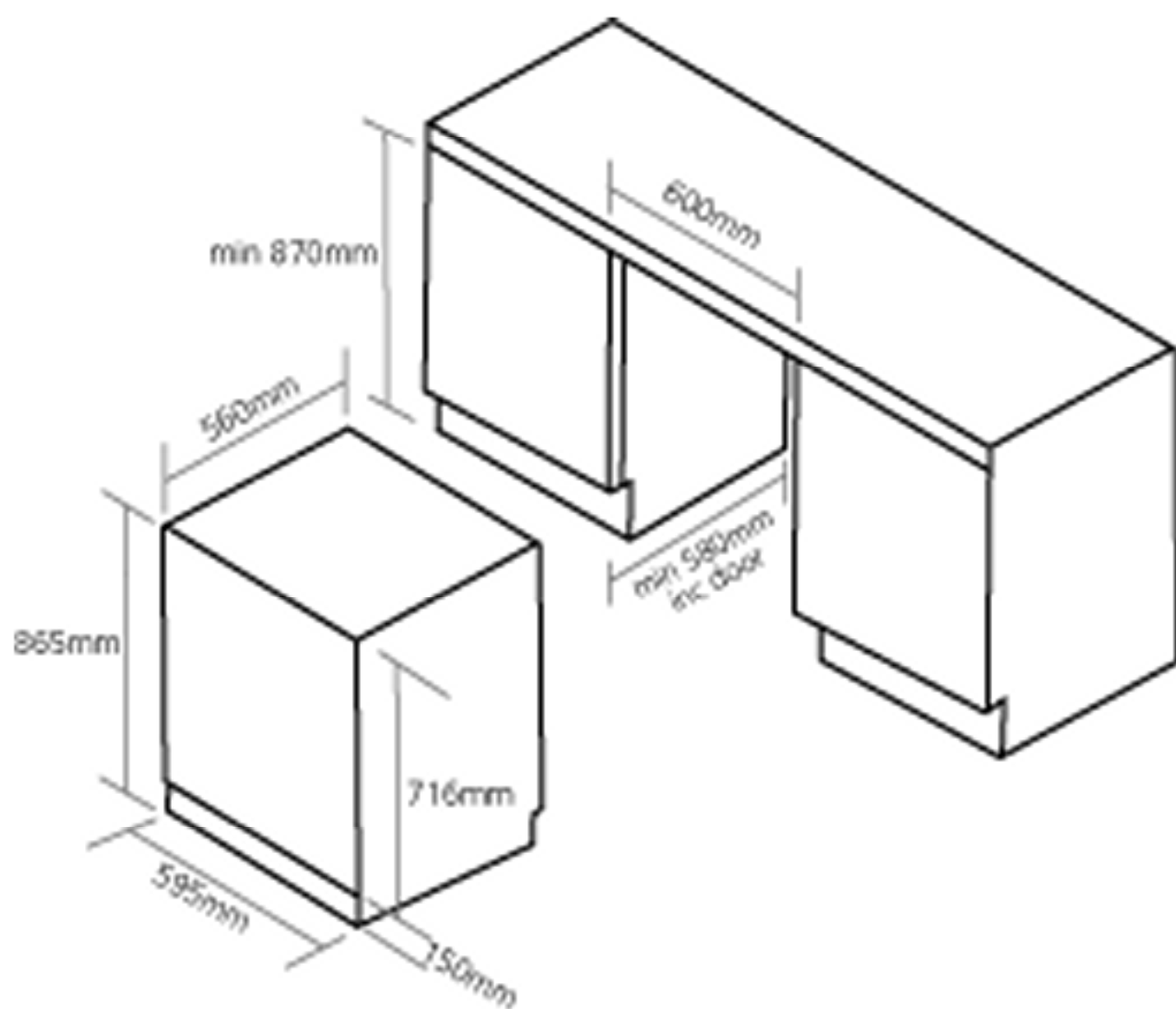
**Caple Wine Cellar**

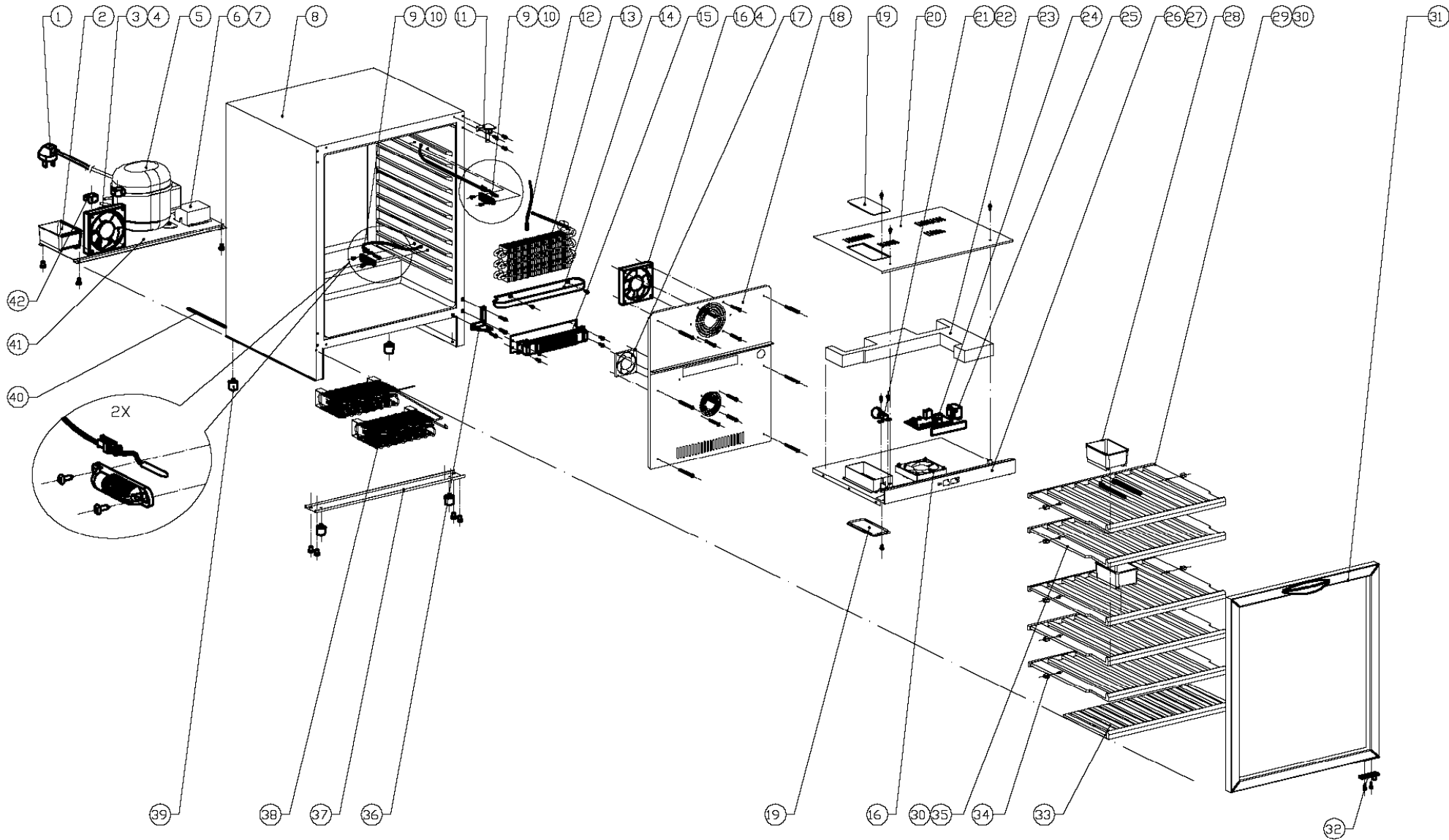
**Instruction Manual**



# WCI46B

Caple Wine Cellar





**WCI46B**

Caple Wine Cellar

8 7 6 5 4 4 3 3 2 1

D

C

B

A



## WCI46B - Caple Wine Cellar

Item	Part Code	Description	Qty
1	DG2-3	Power cord	1
2	DG13-1	Water tank	1
3	DG7-1.1	Condenser fan	1
4	DG19-1	Fan cover	2
5	DG1-11	Compressor	1
6	DG13-2	Electrical box cover	1
7	DG11-2	Junction block	1
8	DG22-25	Cabinet	1
9	DG8-5	Senser	2
10	DG13-11	Cover of sensor	2
11	DG14-1	Top hinge module (pair)	1
12	DG8-4	Senser	1
13	DG12-1	Evaporator	1
14	DG13-10	Water box	1
15	DG11-1	PTC heater	1
16	DG7-3	Evaporator fan	2
17	DG7-4	PTC heater fan	1
18	JG44A.01-01	Air duct board	1
19	DG13-5	Lamp cover	2
20	JG44A.01-02	Upper panel for middle airway-board	1
21	DG5-2	Bulb	1
22	DG4-2	Lamp-holder	1
23	JG44A.09-01	Foam	1
24	DG3-1.2	PCB board	1
25	DG6-1	Transformer	1
26	JG44A.01-03	Lower panel for middle airway-board	1
27		Display panel	1
28	DG13-1.2	Humid box	2
29	DG15-20.1	Wooden shelves A7A	2
30	DG15-23	Stainkess Steel edge, wooden shelves	5
31	DG23-3	Cabinet door(Alloy handle)	1
32	DG14-2.6	Lower hinge	1
33	DG15-33	Wooden shelves G2	1
34	DG13-7	Shelf support	10
35	DG15-20	Wooden shelves A7	3
36	DG14-2	Lower hinge module (pair)	1
37	JG44A.01-05	Support bracket of front legs	1
38	DG12-17	Condenser	1
39	DG13-6.11	Cabinet leg, type BC50N	4
40	DG12-6	Air-circulating pipe	1
41		Compressor bracket	1
42	DG14-33	Bracket of fan (pair)	1