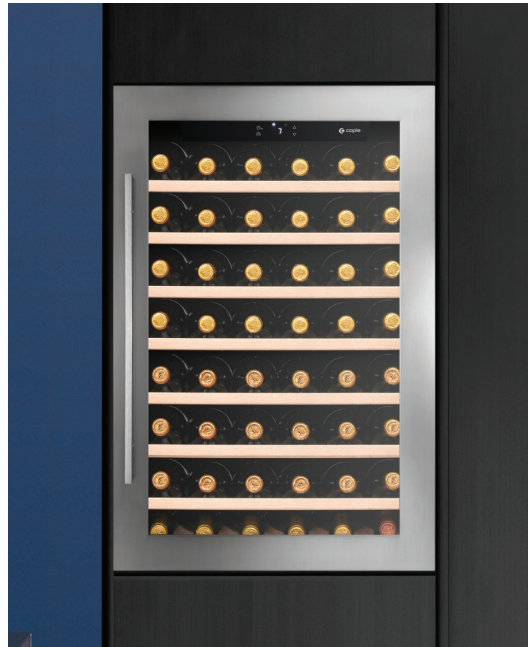




# In-column wine cabinet instruction manual

## WC6500



Contact Caple on 0117 938 7420 or for spare parts [www.caple.co.uk](http://www.caple.co.uk)





## CONTENTS

Introduction	3
Warnings	4
Electrical shock hazard	5
Environmental protection	7
Installation	8
Operation and settings	10
Functions	12
Storage diagram	12
Internal Light	13
Shelves	13
How to change the door	14
Installation for built-in	16
Care and maintenance	18
Problems / Troubleshooting	20
Defrosting / Condensation	21
Humidity system	21
Technical data	22

Please keep this instruction manual for future reference



# INTRODUCTION

Thank you for buying your new Caple Wine Cabinet.

To ensure that you get the best results from your new purchase, we strongly suggest that you read this instruction manual thoroughly before use. This manual contains installation advice, usage instructions and other important facts about your Caple Wine Cabinet. If treated with care your Caple Wine Cabinet will give you many years of trouble free use.

Please keep this instruction manual for future reference

Instruction manual WC6500 3





## WARNINGS

- To prevent damaging the door gasket, make sure the door is fully open when pulling shelves out of the rail compartment.
- The appliance must be positioned so that the plug is accessible. Release the electric cord and move your cabinet to its final location. Do not move your cabinet while loaded with wine as you may distort the body.
- The wine cabinet should be installed in a suitable place in order to avoid touching the compressor.
- After unpacking, make sure that the appliance is in perfect order. If you have any doubt, do not use it and contact your retailer.
- If the supply cord is damaged, it must be replaced by a Caple service agent or a similarly qualified person in order to avoid a hazard.
- This product is not designed for commercial use, it is a household appliance only.  
It is not intended to be used in:
  - Staff kitchen areas in shops, offices and other working environments
  - Bed and breakfast type environments
  - By clients in hotels, motels and any other residential type environments

Please keep this instruction manual for future reference





- This appliance is intended to be used exclusively for the storage of wine.

## **IMPORTANT**

Caple cannot be held liable for any non compliance with these instructions.

## **ELECTRICAL SHOCK HAZARD**

To reduce the risk of fire, electrical shock, or injury when using your appliance, follow these basic precautions:

- Read all instructions before using the wine cabinet.
- DANGER or WARNING: Risk of child entrapment.
- Before you throw away your old wine cabinet: Take off the door, leaving the shelves in place so that children cannot easily climb inside.
- Never allow children to operate, play with, or crawl inside the appliance.
- Never clean appliance parts with flammable fluids. The fumes can create a fire hazard or explosion.
- Do not store or use gasoline or any other flammable vapours and liquids in the vicinity of this or any other appliance. The fumes can create a fire hazard or explosion.

Please keep this instruction manual for future reference



- The refrigerant of this appliance is R600a, flammable and explosive articles should not be put in or near the cabinet, to avoid the risk of fire or explosion.
- This appliance can be used by children aged from 8 years and above and persons with reduced physical, sensory or mental capabilities or lack of experience and knowledge if they have been given supervision or instruction concerning use of the appliance in a safe way and understand the hazards involved. Children shall not play with the appliance.
- Cleaning and user maintenance shall not be made by children without supervision.
- When positioning the appliance, ensure the supply cord is not trapped or damaged.
- Do not locate multiple portable socket-outlets or portable power supplies at the rear of the appliance.
- Do not use plug adapter.



Symbol ISO 7010 W021

Warning; Risk of fire / flammable materials

Please keep this instruction manual for future reference





## ENVIRONMENTAL PROTECTION

Waste electrical products should not be disposed of with household waste. Please recycle where facilities exist. Check with your Local Authority or retailer for recycling advice. This appliance is marked according to the European directive on Waste Electrical and Electronic Equipment (WEEE).

By ensuring this product is disposed of correctly, you will help prevent potential negative consequences for the environment and human health, which could otherwise be caused by inappropriate waste handling of this product. The symbol on the product indicates that this product may not be treated as household waste. Instead it shall be handed over to the applicable collection point for the recycling of electrical and electronic equipment. Disposal must be carried out in accordance with local environmental regulations for waste disposal.

For more detailed information about treatment, recovery and recycling of this product, please contact your local council, your household waste disposal service or the retailer where you purchased the product

## CE DECLARATIONS OF CONFORMITY **CE**

This appliance has been manufactured to the strictest standards and complies with all applicable legislation, Low Voltage Directive (LVD) and Electromagnetic Compatibility (EMC).

Please keep this instruction manual for future reference

Instruction manual WC6500 7





## INSTALLATION

### Before using your wine cabinet

- Remove the exterior and interior packing.
- **IMPORTANT:** Before connecting the wine cabinet to the power source, let it stand upright for at least 12 hours. This will reduce the possibility of a malfunction in the cooling system from handling during transportation.
- Clean the interior surface with lukewarm water using a soft cloth. Before installation, turn the unit off and unplug it from the outlet.

### NOTE

To protect the appliance in transit and delivery the door is packed tightly against the cabinet. When first installed this can mean the door seal appears thinner on one side of the door due to compression, this is normal and once out of the box it will relax over a short period of time and the door will return to the normal position. If you wish to speed up the process you can gently warm the seal with a hair dryer on a low temperature setting. This can help relax the seal helping it return to normal thickness a little faster.

### INSTALLATION OF YOUR WINE CABINET

- This appliance uses flammable refrigerant. Never damage the cooling pipework during transportation.
- Locate the wine cooler away from direct sunlight and sources of heat (ovens, hobs, heaters, radiators, etc.). Never clean appliance parts with flammable fluids. The fumes can create a fire hazard or explosion. When disposing your appliance, please choose an authorized disposal site.
- Avoid locating the unit in moist areas.
- It is fitted with a power cord having an earth wire terminating in a 13amp plug.
- Ensure the product is correctly ventilated (see page 16).
- Consult a qualified electrician or service engineer if the earthing instructions are not completely understood.
- Plug the wine cabinet into an exclusive, properly installed-grounded wall outlet. Do not under any circumstances cut or remove the third (ground) pin from the plug. Any questions concerning power and/or grounding should be directed toward a certified electrician or Caple service.

Please keep this instruction manual for future reference





## **WARNING: INCORRECT EARTHING CAN RESULT IN THE RISK OF ELECTRIC SHOCK**

### **Attention!**

- Store wine in sealed bottles
- Do not overload the cabinet
- Do not open the door unless necessary
- Do not cover shelves with aluminium foil or any other shelf material which may prevent air circulation
- Should the wine cabinet be stored without use for long periods it is suggested, after careful cleaning, to leave the door ajar to allow air to circulate inside the cabinet in order to avoid possible formations of condensation, mould or odours.
- Keep ventilation openings, in the appliance enclosure or in the built-in structure, clear of obstruction;
- Do not use mechanical devices or other means to accelerate the defrosting process, other than those recommended by the manufacturer;
- Do not damage the refrigerant circuit;
- Do not use electrical appliances inside the storage compartments of the appliance, unless they are the type recommended by the manufacturer

Please keep this instruction manual for future reference

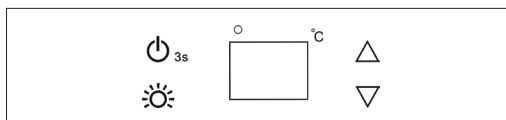
Instruction manual WC6500 9



## OPERATING YOUR WINE CABINET AND SETTING THE TEMPERATURE CONTROL

Please use the cabinet within a ambient temperature of 16-32 °C. If the ambient temperature is higher or lower than this, it will cause a temperature fluctuation in the cabinet, impairing its performance.

### CONTROL PANEL



- Indicator light illuminates to signify the cooling mode is currently in operation

### TOUCH CONTROL KEYS



Used to switch the internal light on/off



To switch the appliance on/off  
(press and hold this button for approximately 3 seconds)





Used to raise the temperature in 1°C increments



Used to lower the temperature in 1°C increments

### INTERNAL LIGHT

In order to reduce energy consumption, the LED light within this wine cabinet will automatically switch off when the door is closed. If you would prefer the LED light to remain on continuously, this is possible. Please press and hold the  key for 5 seconds, the display will show "LP". After 4 seconds the display will revert back to normal and the light will remain on until manually switched off. If you would like to revert back and conserve energy (recommended), press and hold the  key for 5 seconds, the display will show "LF". After 4 seconds the display will revert back to normal, and the light will automatically switch off when the door is closed.

Please keep this instruction manual for future reference





## SETTING THE TEMPERATURE CONTROLS

Set the desired cooling temperature by pressing the  $\Delta$  /  $\nabla$  keys. Each press of the key will scroll through the available temperature settings in increments of 1°C.

The temperature setting can be adjusted from 5°C to 18°C

To view the actual temperature at anytime press and hold  $\Delta$  /  $\nabla$  for approximately 5 seconds, the actual temperature will temporarily flash in the LED display for 5 Seconds. After this it will revert back to the set temperature.

Flashing LED = Cabinet temperature

Steady LED = Set temperature

### NOTE

If the unit is unplugged, power lost, or turned off, you must wait 3 to 5 minutes before restarting the unit. If you attempt to restart before this time delay, the Wine cabinet will not start.

When you use the Wine cabinet for the first time or restart the Wine cabinet after having been shut off for a long period of time, there could be a few degrees variance between the temperature you select and the one indicated on the LED readout. This is normal and it is due to the length of the activation time. Once the Wine cabinet is running for a few hours everything will be back to normal

Please keep this instruction manual for future reference

Instruction manual WC6500 11



## FUNCTIONS

### Temperature Memory Function

In the event of a power interruption, the wine cabinet can remember the previous temperature setting, and when the power is recovered, the cabinet temperature will go back to the same setting as when the power went off.

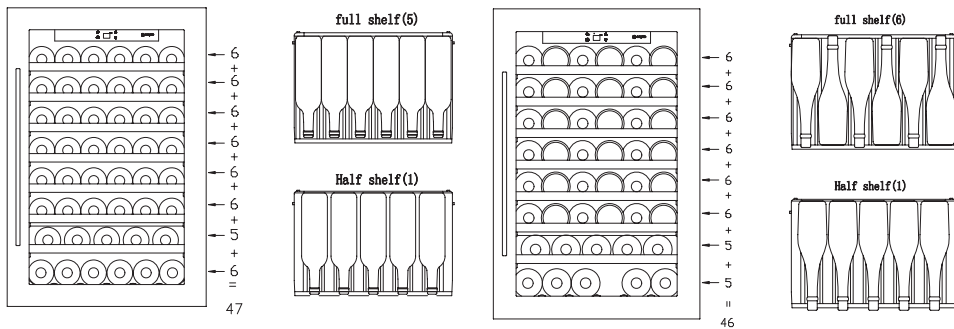
### Open Door Alarm

When you the door is left open or the door is not closed completely, the alarm will sound after 5 minutes. Please close the door completely and avoid the loss of cold energy.

### Temperature Alarm

If inner temperature is higher than 23°C, "HI" is shown on the display panel, and the alarm will sound after one hour. It will inform that the inner temperature is too high, please check the reason. If inner temperature is lower than 0°C, "LO" is shown on the display panel, the alarm will sound and the malfunction indicator light will be on at the same time.

## STORAGE DIAGRAM



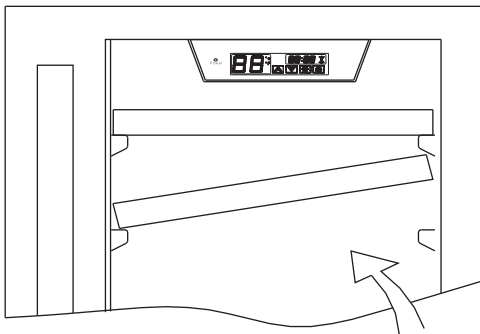
Please keep this instruction manual for future reference





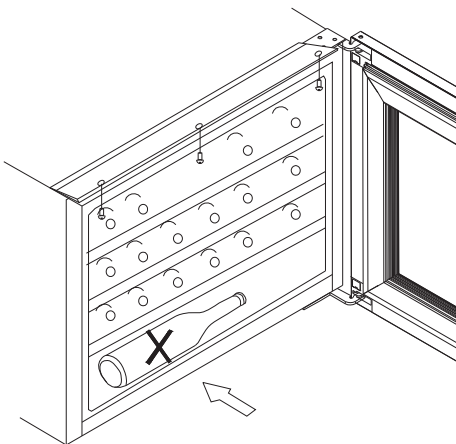
## SHELVES

- To prevent damaging the door gasket, make sure to have the door fully opened when pulling shelves out of the rail compartment.
- For easy access to the storage content, you must pull the shelves approximately 1/3 out of the rail compartment, however this unit was designed with a notch on each sides of the shelf tracks to prevent bottles from falling.
- When removing any of these shelves out of the rail compartment, tilt the shelf as per the diagram and simply pull out, or push in the shelf until it sits on the support brackets securely.



### CAUTION

Do not store bottles crossways on the interior floor! Otherwise, bottles may fall out when the appliance door is opened and this may cause injury or material damage.



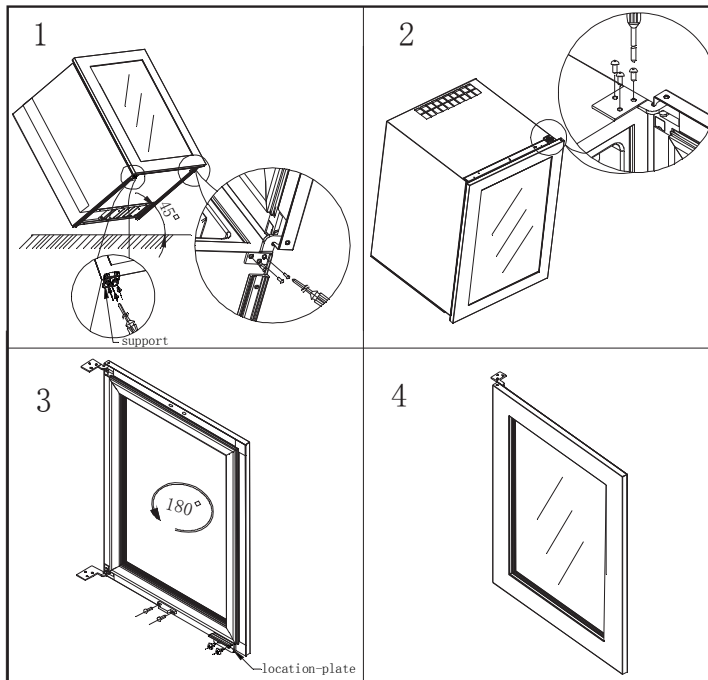
Please keep this instruction manual for future reference





## HOW TO CHANGE THE DOOR OPENING

1. Incline the wine cooler with 45 degrees, take out right lower hinge's screws and support's screws with screwdriver (Fig.1)
2. Level the wine cooler Hold the door and take out right upper hinge's screws with screwdriver, then take out the door, put the door safety, unscrew 2 screws at bottom and remove the magnet, then install at top of frame, and take out the location-plate's screws and fix location-plate on the other side ,and rotate door at 180 degree (Fig.2 & Fig.3 & Fig.4)
3. Remove limited block B as per the arrows in picture, then release all the screws on limited block A, and take away limited block A. Install the limited block A at the right side with screws, then install limited block B, then fit the door with screws ,then fix the support on the lower right side. (see Fig.5& Fig.6& Fig.7)

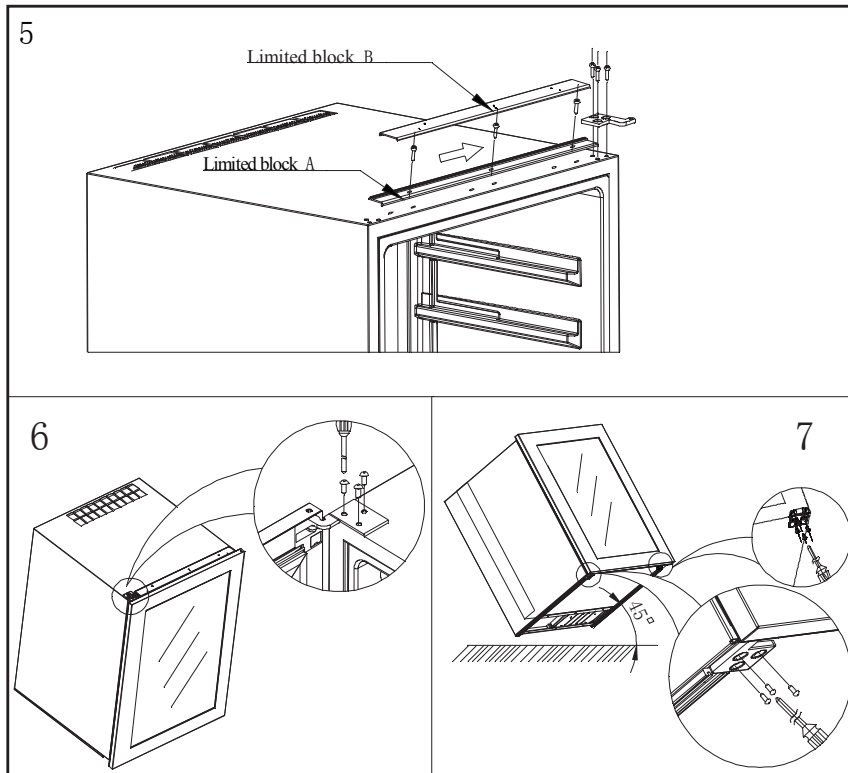


### NOTE

Once door reversal complete please check and ensure door magnet is at the bottom of door.

Please keep this instruction manual for future reference





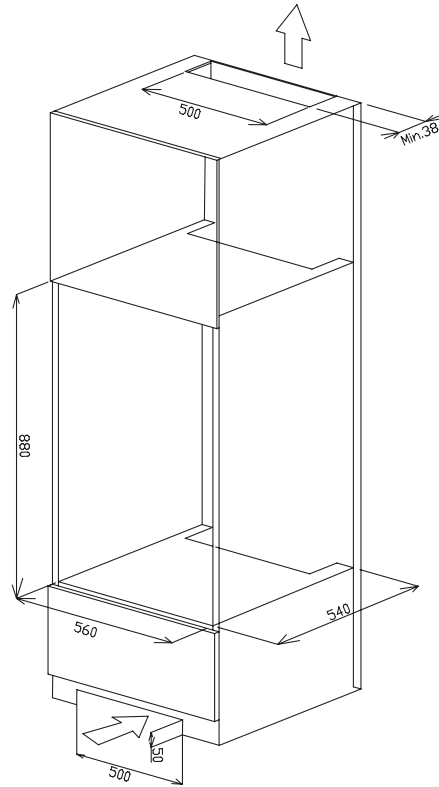
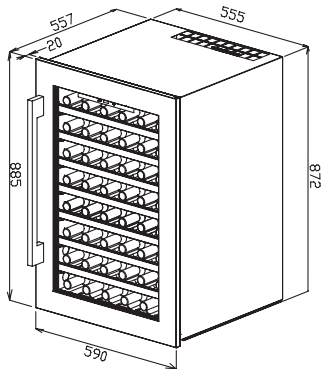
Please keep this instruction manual for future reference

Instruction manual WC6500 15





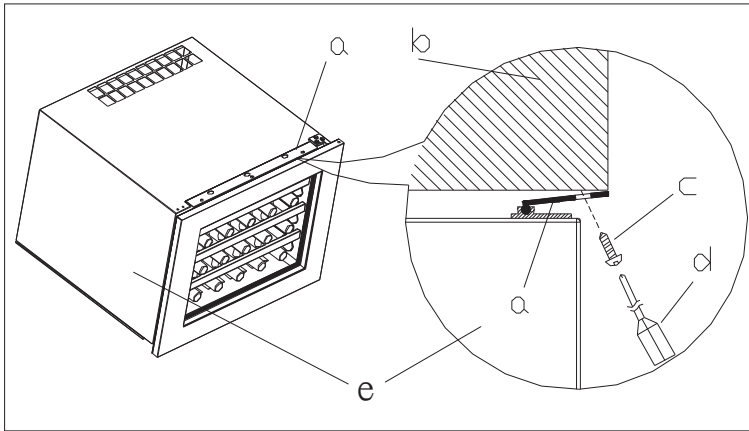
## INSTALLATION SPECIFICATIONS FOR BUILT-IN PURPOSES



- 1 After installed wine cooler into kitchen cabinet, please adjust limited block (a) close to kitchen cabinet (b),
2. Please fix the 3 pcs screws through the limited block (a) screw hold into kitchen cabinet (b), please find below picture for reference.

Please keep this instruction manual for future reference





- a - Limited block
- b - Kitchen cabinet
- c - Screw
- d - Screwdriver

Ensure the product is correctly ventilated

Please keep this instruction manual for future reference

Instruction manual WC6500 17



## CARE AND MAINTENANCE

### Cleaning your wine cabinet

- Turn off the power, unplug the appliance, and remove all items including shelves and rack.
- Wash the inside surfaces with a warm water and baking soda solution. The solution should be about 2 tablespoons of baking soda to a quart of water.
- Wash the shelves with a mild detergent solution.
- Wring excess water out of the sponge or cloth when cleaning area of the controls, or any electrical parts.
- Wash the outside cabinet with warm water and mild liquid detergent. Rinse well and wipe dry with a clean soft cloth.

### Power failure

- Most power failures are corrected within a few hours and should not affect the temperature of your appliance if you minimize the number of times the door is opened. If the power is going to be off for a longer period of time, you need to take the proper steps to protect your contents.

### Vacation time

- Short vacations: Leave the Wine cabinet operating during vacations of less than three weeks.
- Long vacations: If the appliance will not be used for several months, remove all items and turn off the appliance. Clean and dry the interior thoroughly. To prevent odor and mold growth, leave the door open slightly: blocking it open if necessary.

### Moving your wine cabinet

- Remove all items.
- Securely tape down all loose items (shelves) inside your appliance.
- Turn the adjustable leg up to the base to avoid damage.
- Tape the door shut.
- Be sure the appliance stays secure in the up right position during transportation. Also protect outside of appliance with a blanket, or similar item.

Please keep this instruction manual for future reference



### **Energy saving tips**

- The Wine cabinet should be located in the coolest area of the room, away from heat producing appliances, and out of the direct sunlight.

### **Moving Your Wine cabinet**

- Remove all items.
- Securely tape down all loose items (shelves) inside your appliance.
- Tape the door shut.
- Be sure the appliance stays secure in the upright position during transportation. Also protect outside of appliance with a blanket, or similar item.

### **Energy Saving Tips**

- The Wine cabinet should be located in the coolest area of the room, away from heat producing appliances, and out of the direct sunlight.

Please keep this instruction manual for future reference

Instruction manual WC6500 19



## PROBLEMS WITH YOUR WINE CABINET

You can solve many common wine cabinet problems easily, saving you the cost of a possible service call. Try the suggestions below to see if you can solve the problem before calling **Cadle Service**.

### TROUBLESHOOTING GUIDE

Problem	Possible Cause
The wine cabinet does not operate	Not plugged in. The appliance is turned off. The circuit breaker tripped or a blown fuse.
The wine cabinet is not cold enough	Check the temperature control setting. External environment may require a higher setting. The door is opened too often. The door is not closed completely. The door gasket does not seal properly.
The compressor turns on and off frequently	The room temperature is hotter than normal. A large amount of contents has been added to the wine cabinet. The door is opened too often. The door is not closed completely. The temperature control is not set correctly. The door gasket does not seal properly.
The light does not work	The circuit breaker tripped or a blown fuse. The bulb has burned out. The light button is "OFF".
Vibrations	Check that the appliance is even
The Wine cabinet seems to make too much noise.	The rattling noise may come from the flow of the refrigerant, which is normal. As each cycle ends, you may hear gurgling sounds caused by the flow of refrigerant in your wine cabinet. Contraction and expansion of the inside walls may cause popping and crackling noises. The wine cabinet is not level.
The door will not close properly	The wine cabinet is not level. The door was reversed and not correctly installed. The gasket is dirty. The shelves are out of position.

If the above table has not solved the problem please contact Cadle Service by phone on **0117 938 7420** or by email **service@cadle.co.uk**

Please keep this instruction manual for future reference





## DEFROSTING/CONDENSATION

Your wine cabinet is designed with an "Auto-cycle" defrost system. When the RUN cycle is OFF, the refrigerated surface of the wine cabinet (interior rear wall) defrosts automatically. The defrosted water is channelled into a drain pan which is located at the back of the cabinet next to the compressor from where it evaporates.

## HUMIDITY SYSTEM

The wine cabinet is equipped with a system for maintaining the correct level of humidity. If humidity is too low, insert the small plastic reservoir on to the top shelf. Fill this reservoir 3/4 full with water. Check the water level occasionally and refill as necessary.

### Recommended storage temperatures

For storing ALL TYPES OF WINES 12°C to 14°C

### Recommended drinking temperatures

Champagne NV, Sparkling	6°C
Champagne Vintage	10°C
Dry White Semillon, Sauvignon Blanc	8°C
Dry White Gewürztraminer, Riesling	10°C
Dry White Chardonnay	10°C
Vintage Chardonnay 1	4°C
Sweet White Sauternes Monbazillac, Late Harvest ice wine	10°C
Sweet whites vintage Sauternes	14°C
Beaujolais	13°C
Red Pinot Noir	16°C
Vintage Pinot Noir red	18°C
Red Cabernet, Merlot, French, Australian, New Zealand, Chilean, Argentinean, Italian, Spanish, Californian	18°C
Red Grenache, Syrah	16°C

Please keep this instruction manual for future reference

## TECHNICAL DATA

<b>Model</b>	Brand: CAPLE Reference: WC6500 Category of household refrigerating appliance :2
<b>Supply</b>	220-240V~ 50Hz
<b>Dimension (WxDxH cm)</b>	59 x 55.7 x88.6 cm
<b>Weight (kg)</b>	46kg
<b>Energy efficiency class</b>	A
<b>Annual Energy Consumption (AEC)</b>	146 kWh of energy per annum calculated on the basis of the result obtained for 24h in standard test consumption. The actual energy consumption will depend on use and the location of the device.
<b>Useful volume of the compartments (l)</b>	125L
<b>Defrosting</b>	Automatic defrost
<b>Climate class</b>	Climate class : N This unit is designed to be used at an ambient temperature between 16°C (the lowest temperature) and 32°C(the highest)
<b>Acoustic emissions in the air in dB (A) re 1 pW</b>	45dB
<b>Type installation</b>	In column

Please keep this instruction manual for future reference



Please keep this instruction manual for future reference

Instruction manual WC6500 23





Caple Service  
Fourth Way  
Avonmouth  
Bristol  
BS11 8DW

t: 0117 938 7420  
e: [service@caple.co.uk](mailto:service@caple.co.uk)  
[www.caple.co.uk](http://www.caple.co.uk)

Please keep this instruction manual for future reference

