



WC6114

Caple in-column wine cabinet

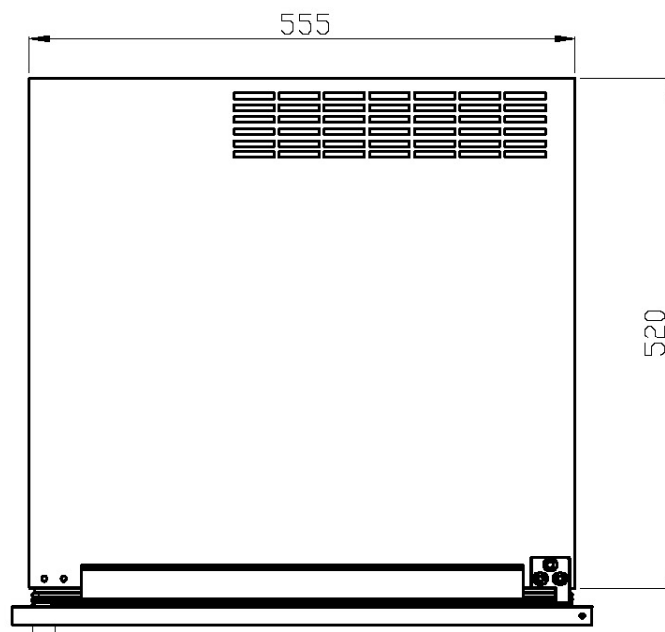
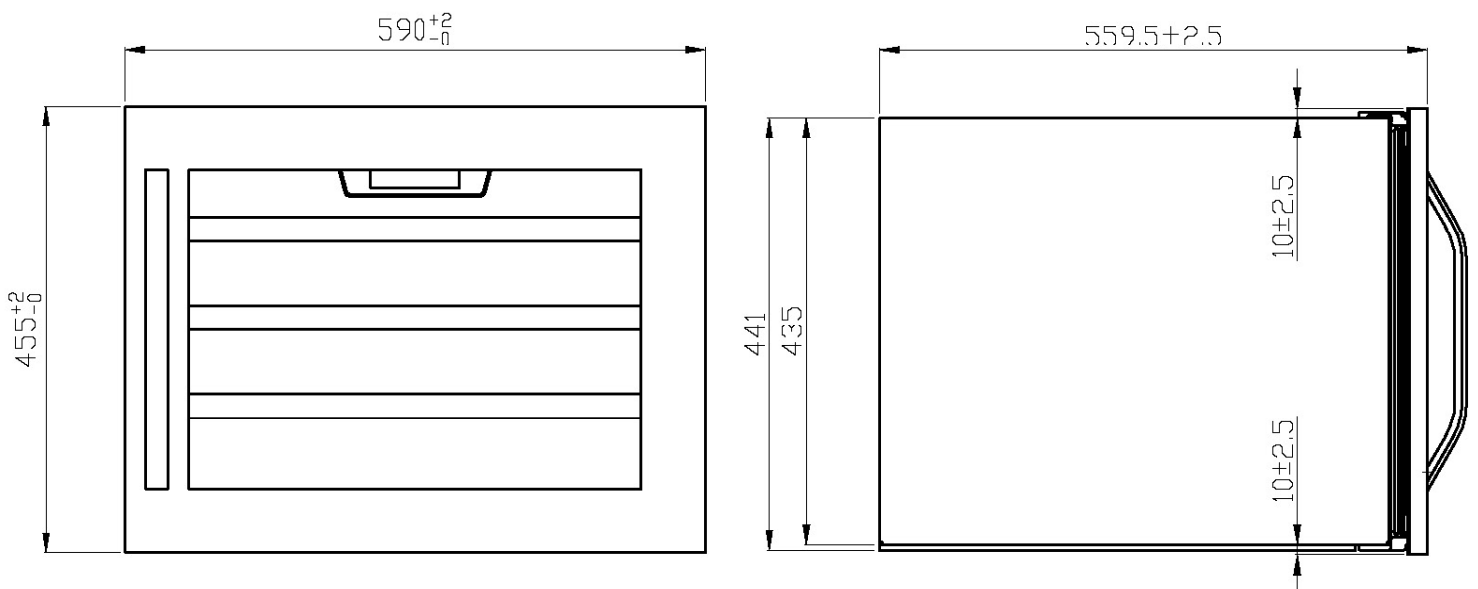


Technical information



WC6114

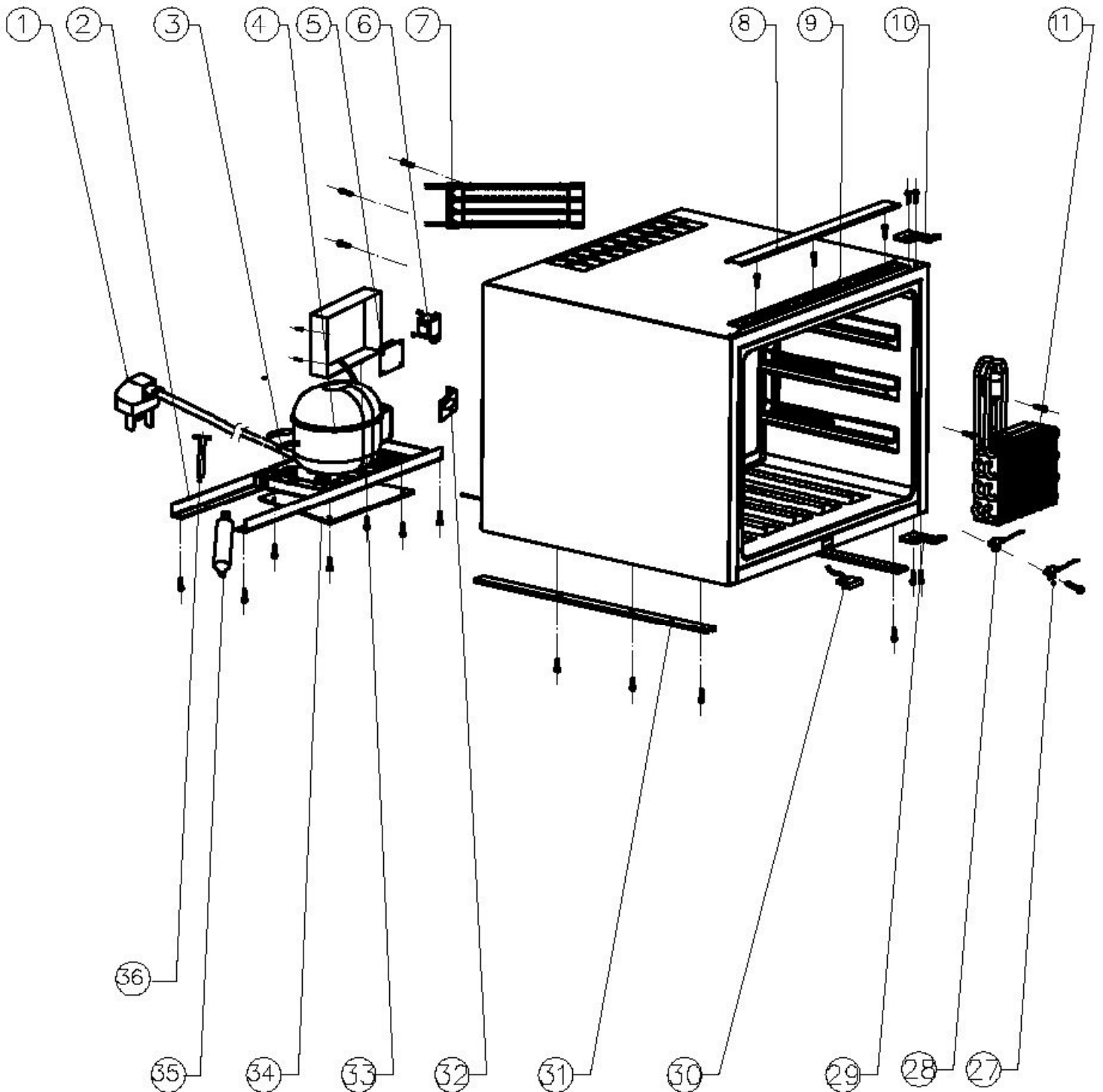
Caple in-column wine cabinet





WC6114

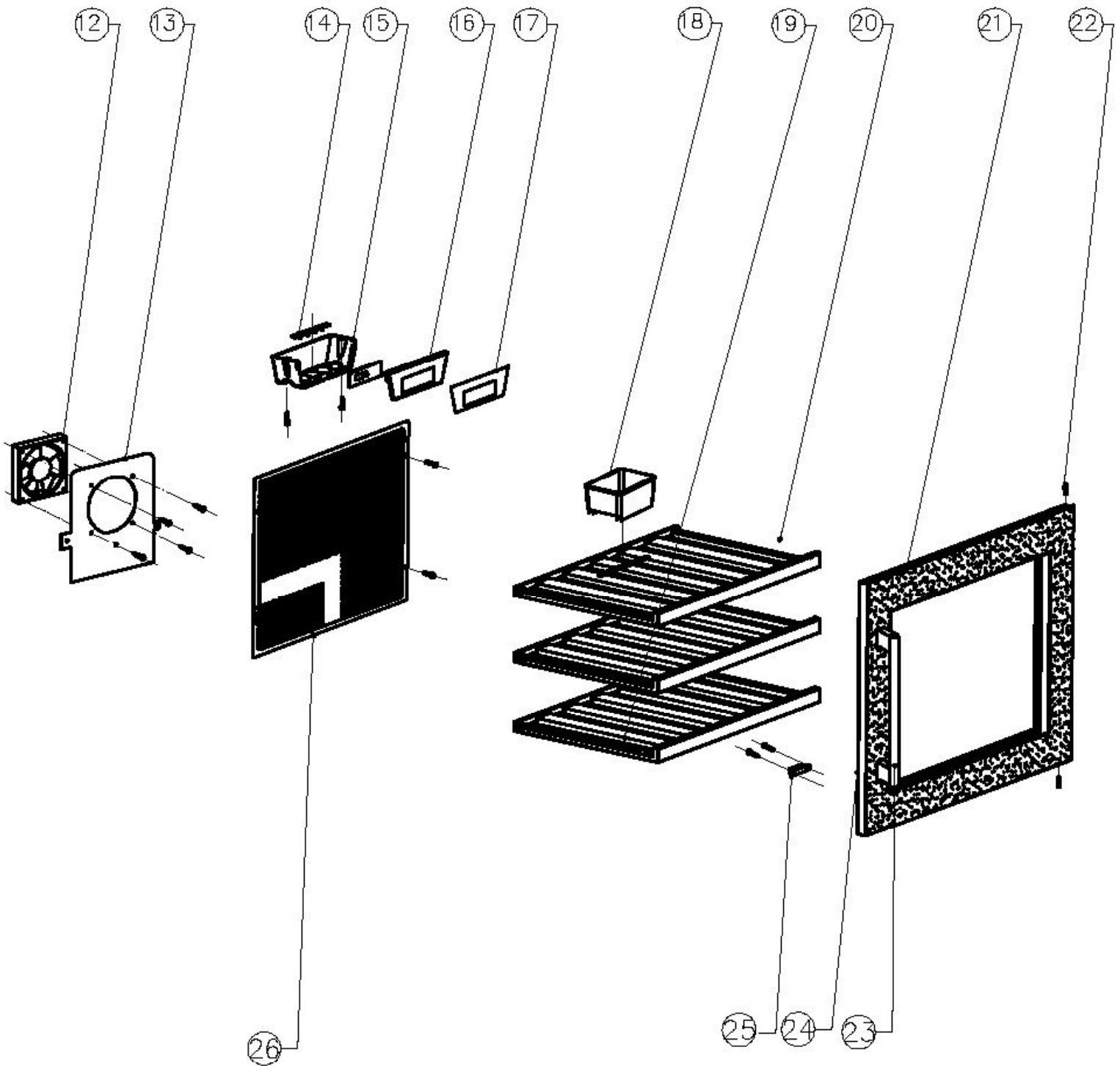
Caple in-column wine cabinet





WC6114

Caple in-column wine cabinet





WC6114 - Caple in-column wine cabinet

Item	Part Code	Description	Qty
1	DG2-14	Power cord	1
2	DG22-476	Support bar of tank water	2
3	DG13-447	Water box	1
4A	DG1-93	Compressor	1
4B	PJ1-002-C	Start Device/Overload Protector	1
5	DG3-205	PCB board	1
6	DG6-18	Transformer	1
7	DG12-91-1	Condenser	1
8	DG13-473	Fixing bracket B	1
9	DG13-472	Fixing bracket A	1
10	DG14-206	Top hinge	1
11	DG12-44-1	Evaporator	1
12	DG7-33-BH	Evaporator fan	1
13	DG22-480	Fixing board for fan	1
14	DG3-207-1-W	LED light	1
15	DG13-471	Electrical box	1
16	DG13-470	Electrical box cover	1
17	DG20-387	Display panel film	1
18	DG13-1.2	Humid box	1
19	DG15-204	Wooden shelf	2
20	DG15-204-1	Wooden shelf	1
21	DG23-209	Door	1
22	DG22-475	Axis	2
23	DG22-3109	Handle	1
24	M147-003	Gasket	1
25	DG13-3005	Magnet	1
26	DG22-472	Air duct board	1
27A	DG20-1	wire clamp	1
27B	DG8-22	Sensor	1
28A	DG20-1	wire clamp	1
28B	DG8-23	Sensor	1
29	DG14-207	Low hinge	1
30	DG9-16	Reed switch	1
31	DG13-474	Support bar	2
32	DG14-3.1-1	Capacitance immobility	1
33	DG22-479	Electrical box cover	1
34	DG22-473	Strengthening board	1
35	DG11-45	Drier filter	1
36	DG13-192-1	Drier filter support	1



WC6114

Caple in-column wine cabinet

