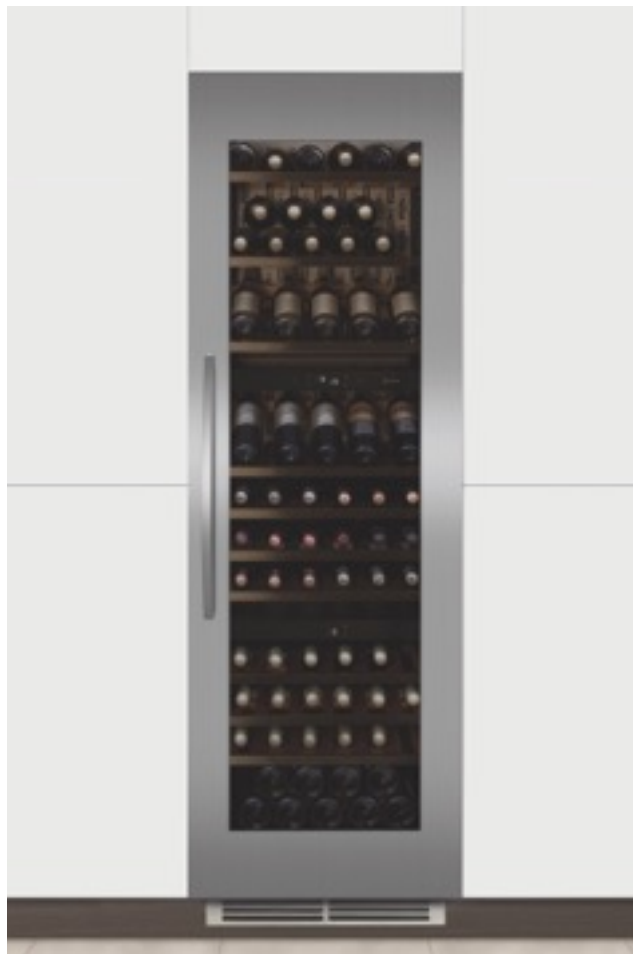




## Instruction manual for in-column wine cabinet

Model code: WC178



Contact Caple on 0117 938 7420 or for spare parts [www.caple.co.uk](http://www.caple.co.uk)

## BEFORE USE, PLEASE READ AND FOLLOW ALL SAFETY AND OPERATING INSTRUCTIONS.

### Warnings

- To prevent damaging the door gasket, make sure the door is fully opened pulling shelves out of the rail compartment.
- The appliance must be positioned so that the plug is accessible. Release the electric cord and move your cabinet to its final location. Do not move your cabinet while loaded with wine as this may distort the body. The wine cabinet should be installed in a suitable place in order to prevent touching the compressor with your or children's hands.
- This appliance can be used by children aged from 8 years and above and persons with reduced physical, sensory and mental capabilities or lack of experience and knowledge if they have been given supervision or instruction concerning use of the appliance in a safe way and understand the hazards involved. Children shall not play with the appliance.
- Cleaning and user maintenance shall not be made by children without supervision.
- If the supply cord is damaged, it must be replaced by the manufacturer, its service agent or a similarly qualified person in order to avoid a hazard.
- This product is not designed for commercial use, it is a household appliance only.  
It is not intended to be used in:
  - Staff kitchen areas in shops, offices and other working environments
  - Bed and breakfast type environments
  - By clients in hotels, motels and any other residential type environments
- This appliance is intended to be used exclusively for the storage of wine.

**PLEASE DO NOT PLUG YOUR WINE CABINET INTO AN EXTENSION LEAD OR EXTEND THE CABLE IN ANY WAY.**

### Important safety instructions

To reduce the risk of fire, electrical shock, or injury when using your appliance, follow these basic precautions:

- Read all instructions before using the wine cabinet.
- **DANGER or WARNING:** Risk of child entrapment.  
Child entrapment and suffocation are not problems of the past. Discarded or abandoned appliances are still dangerous . . . even if they will "just sit in the garage a few days".
- **Before you throw away your old wine cabinet:** Remove the door and leave the shelves in place to prevent children easily climbing inside.
- Never allow children to operate, play with, or crawl inside the appliance.
- Never clean appliance parts with flammable fluids. The fumes can create a fire hazard or explosion.
- Do not store or use gasoline or any other flammable vapors and liquids in the vicinity of this or any other appliance. The fumes can create a fire hazard or explosion. Do not store explosive substances such as aerosol cans with a flammable propellant in this appliance.
- WARNING: keep ventilation openings, in the appliance enclosure or in the built-in structure, clear of obstruction;
- WARNING: Do not use mechanical devices or other means to accelerate the defrosting process, other than those Recommended by the manufacturer;
- To avoid a hazard due to instability of the appliance, it must be installed and fixed in accordance with the instructions.
- WARNING: Do not damage the refrigerant circuit;
- WARNING: Do not use electrical appliances inside the storage compartments of the appliance, unless they are the type recommended by the manufacturer.

**If the refrigerant of this appliance is R600a, flammable and explosive articles should not be put in or near the cabinet, to avoid the risk of fire or explosion.**

**Please keep this instruction manual for future reference**

# Installation instructions

## Before use

- Remove all exterior and interior packing.
- **Before connecting the wine cabinet to the power source, let it stand upright for approximately 12 hours.** This will reduce the possibility of a malfunction in the cooling system from handling during transportation.
- Clean the interior surface with lukewarm water using a soft cloth.
- When disposing your appliance, please choose an authorised disposal site.

## Installation

- This appliance is designed to be for built-in (fully recessed) (Refer to sticker located on the back of this appliance).
- **This appliance is intended to be used exclusively for the storage of wine.**
- Place your wine cabinet on a floor and cabinet base that is strong enough to support it when it is fully loaded. To level your appliance, adjust the front leveling leg at the bottom of the wine cabinet.
- This appliance uses flammable refrigerant. So never damage the cooling pipe work during the transportation. Locate the appliance away from direct sunlight and sources of heat (oven, heater, radiator, etc.). Direct sunlight may affect the acrylic coating and heat sources may increase electric energy consumption. Extreme cold ambient temperatures may also cause the unit not to perform correctly.
- Avoid locating the unit in moist areas.
- Plug the wine cabinet into an exclusive, properly installed and earthed wall outlet. Do not under any circumstances cut or remove the third (earth) prong from the power cord. Any questions concerning power and/or earthing should be directed toward a certified electrician or an authorised Caple service center.

## Attention

- Store wine in sealed bottles;
- Do not overload the cabinet;
- Do not open the door unless necessary;
- Do not cover shelves with aluminum foil or any other shelf material which may prevent air circulation;
- Should the wine cabinet be stored without use for long periods it is suggested, after a careful cleaning, to leave the door ajar to allow air to circulate inside the cabinet in order to avoid possible formations of condensation, mould or odours.

## Ambient room temperature limits

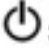




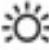
This appliance is designed to operate in ambient temperatures specified by its temperature class marked on the rating plate. The below table explains the temperature requirements of each class.

Class	Symbol	Ambient Temperatures range(°C)
Extended Temperate	SN	+ 10 to + 32°C
Temperate	N	+ 16 to + 32°C
Subtropical	ST	+ 16 to + 38°C
Tropical	T	+ 16 to + 43°C

# Operating your wine cabinet

## Control panel (the upper and middle zone)



- 1) "  " button  
This controls the unit's power, ON/OFF.(press and hold this button for approximately 3 seconds).
- 2) "  " button (left)  
Used to set the temperature of the upper chamber.  
(Press the button once and the temperature will increase by 1°C)
- 3) "  " button (left)  
Used to set the temperature of the upper chamber.  
(Press the button once and the temperature will decrease by 1°C)
- 4) LED display window  
Displays the temperature for the upper zone.
- 5) LED display window  
Displays the temperature for the middle zone.
- 6) "  " button (right)  
Used to set the temperature of the middle chamber.  
(Press the button once and the temperature will increase by 1°C.)
- 7) "  " button (right)  
Used to set the temperature of the middle chamber.  
(Press the button once and the temperature will decrease by 1°C.)
- 8) "  " button  
Controls the inner light turn by switching it on/off .
- 9) Indicator light  
When illuminated is shows the compressor is in operation.



## Internal light

In order to reduce energy consumption, the LED light within this wine cabinet will automatically switch off after 10 minutes. If you would prefer the LED light to remain on continuously, this is possible. Please press and hold the "LIGHT" button for 5 seconds, the display will show "LP". After 4 seconds the display will revert back to normal and the light will remain on until manually switched off.

If you would like to revert back and conserve energy (recommended), press and hold the "LIGHT" button for 5 seconds, the display will show "LF". After 4 seconds the display will revert back to normal, and the light will automatically switch off after 10 minutes.

## Setting the temperature



Each cooling compartment of the wine cabinet (upper & middle) is independently controlled. To set the temperature:

- When pressing  or  button, the system will enter the temperature setting mode in the upper or middle compartment automatically. The LED will flash and display the setting temperature. Press the button once and the temperature will decrease or increase 1°C.

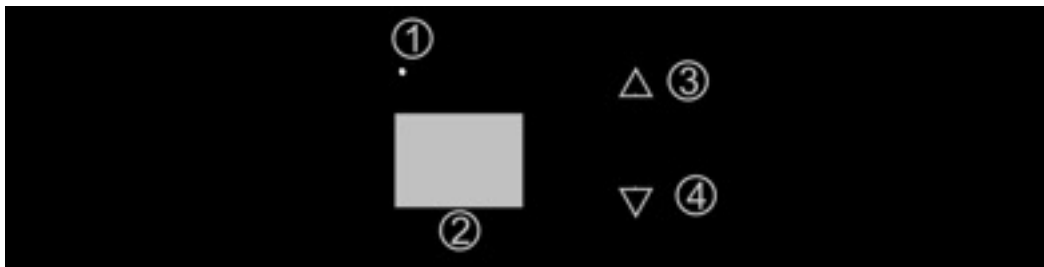
When exceeding the minimum value that can be established, it will jump to the highest adjustable temperature value automatically. After you have stopped pressing the button for 5 seconds the LED figure will stop flashing, and then exit the temperature setting model.



**Upper compartment:** The temperature can be adjusted from 5°C to 18°C.

**Middle compartment:** The temperature can be adjusted from 5°C to 10°C.

- If you want to know the actual temperature, please press  or  for 3 seconds, the display panel will show the actual temperature. After 5 seconds, it will revert back to show the set temperature.



## The lower control panel



- 1) Indicator light  
When illuminated it shows the compressor is in operation.
- 2) LED display window  
Displays the temperature for the lower zone.
- 3) “  ” button (right)  
Used to set the temperature of the lower zone.  
(Press the button once and the temperature will increase by 1°C.)
- 4) “  ” button (right)  
Used to set the temperature of the lower zone.  
(Press the button once and the temperature will decrease by 1°C.)

## Setting the temperature

To set the temperature in the lower zone:

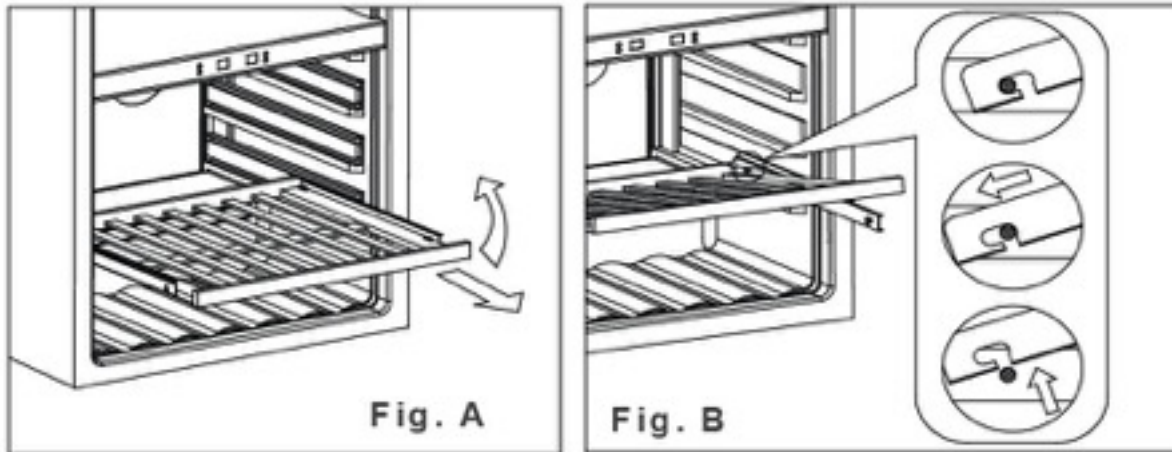
- When pressing the  or  button, the system will enter the temperature set up mode in the lower compartment automatically. The LED will flash and display the setting temperature. Press the button once and the temperature will decrease or increase 1°C.

When exceeding the minimum value that can be established, it will jump to the highest adjustable temperature value automatically. After you stop pressing the button for 5 seconds, the LED figure will stop flashing and then exit the temperature setting mode.

- The temperature setting can be adjusted from 10°C to 18°C

## Shelves

- To prevent damaging the door gasket, make sure to have the door fully opened when pulling shelves out of the rail compartment.
- To remove the shelves:
  1. Fully extend the shelf you wish to remove (Fig. A)
  2. Lift the front of the shelf up (Fig. A)
  3. Holding the shelf track, push the shelf in, then up to release from the rear dampers (Fig. B)



## Note

- If the unit is unplugged, power has been lost, or turned off, you must wait 3 to 5 minutes before restarting the unit. If you attempt to restart before this time delay, the wine cabinet will not start.
- When you use the wine cabinet for the first time or restart the appliance after having been shut off for a long time, there could be a few degrees variance between the temperature you select and the one indicated on the LED readout. This is normal and it is due to the length of the activation time. Once the wine cabinet has been running for a few hours everything will be back to normal.

## Features

- **Memory function**

In the event of a power interruption, the wine cooler can remember the previous temperature settings, and when the power is recovery, the cooler temperature will go back the same setting temperature as power off.

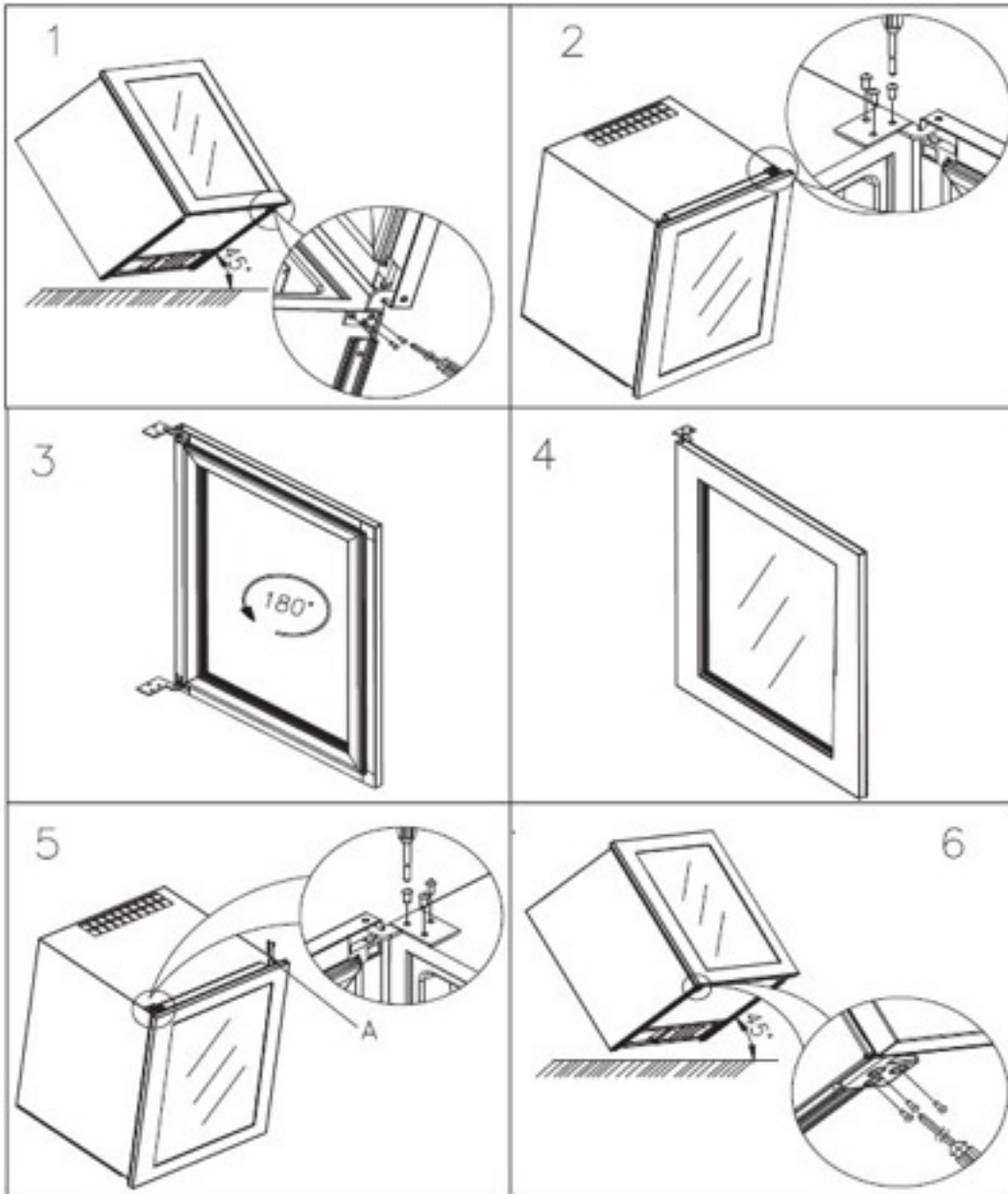
- **Temperature alarm**

If the inner temperature is higher than 23°C, "HI" is shown in the display panel, and the alarm will sound continuously after one hour. It is to inform that the inner temperature is too high, please check the appliance to find the reason. Maybe the door has been left open.

If the inner temperature is lower than 0°C, The "LO" is shown in display panel, the alarm will sound and the malfunction indicator light will illuminate at the same time.

## How to change the handing of the door opening\_

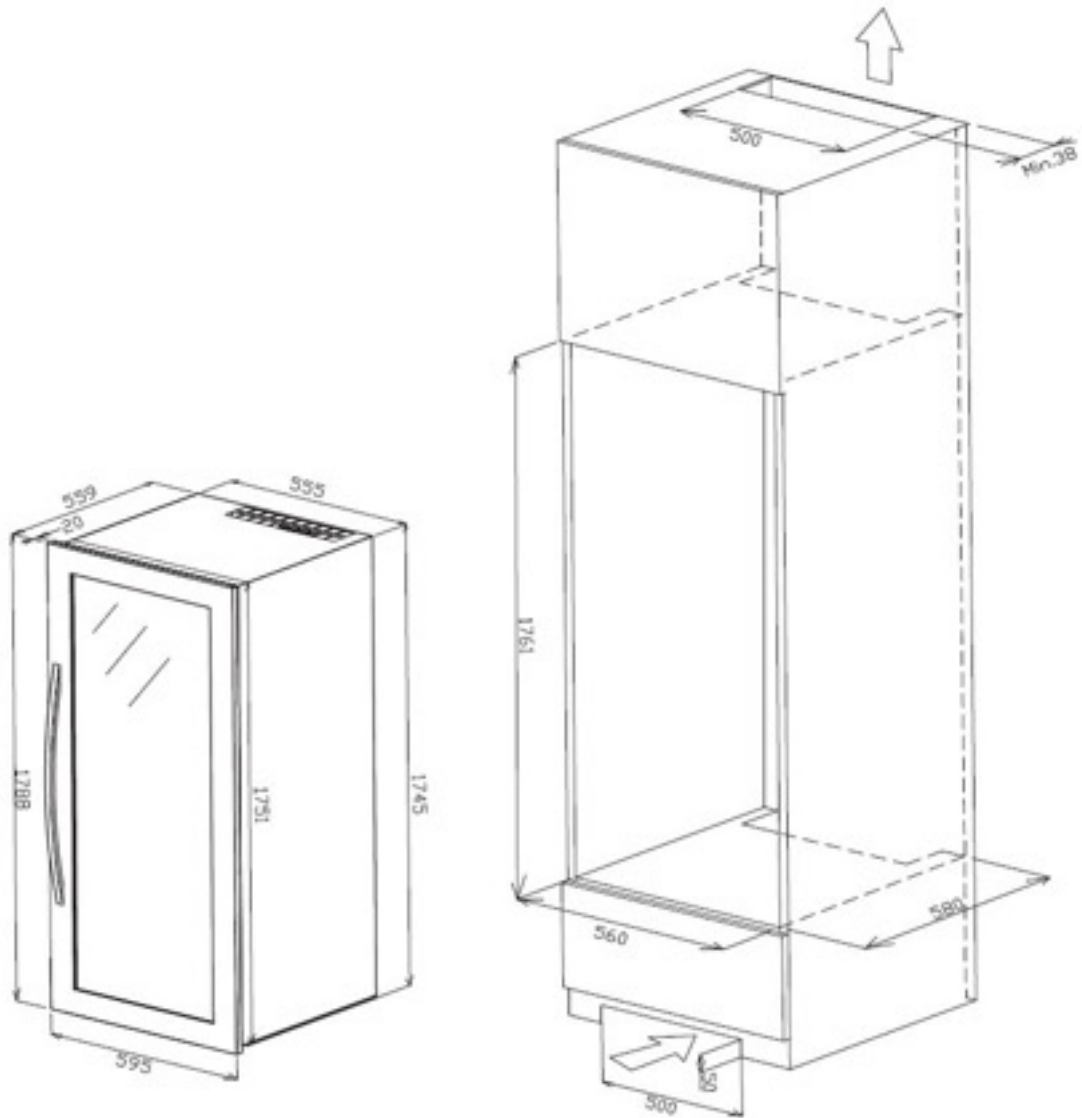
The door can be changed from left and right side as required. The door is factory fitted as opened from the left hand side. If you require it to open from the right side, please refer to the following instructions:



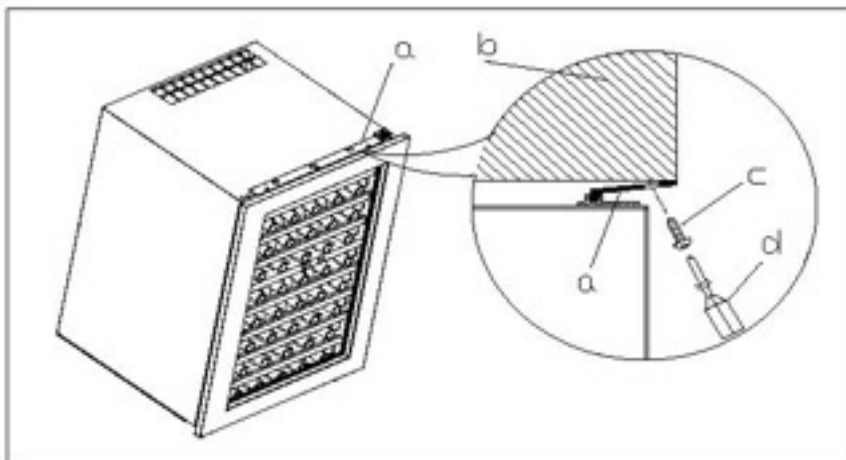
1. Incline the wine cabinet 45 degrees, take out the right lower hinge screws with a screwdriver (Fig.1)
2. Level the wine cabinet, hold the door and take out the right upper hinge screws with a screwdriver. Then remove the door, put the door down safety taking care not to damage it. Now rotate door 180 degrees (Fig. 2 & Fig.3 & Fig.4)
3. Remove the decorative plugs from upper left side and fit the door with screws. Then fit the decorative plugs to holes in the right side of A location. (see Fig.5& Fig.6)

**Note:** This is a two person operation.

## Built-in installation dimensions



1. After installing the appliance into the cabinet, please adjust the fixing strip (a) close to the shelf/cabinet above (b)
2. Please fix the 3 screws through the fixing strip (a) and screw into shelf above (b), please see the diagram below for reference



## Care and maintenance

### Cleaning your wine cabinet

- Always turn off the power, unplug the appliance, and remove all items including shelves and racks.
- Wash the inside surfaces with a warm water and baking soda solution. The solution should be about 2 tablespoons of baking soda to a litre of water.
- Wash the shelves with a mild detergent solution.
- Wring excess water out of the sponge or cloth when cleaning near the controls, or any electrical parts.
- Wash the outside cabinet with warm water and mild liquid detergent. Rinse well and wipe dry with a clean soft cloth.

### Power failure

- Most power failures are corrected within a few hours and should not affect the temperature of your appliance if you minimise the number of times the door is opened. If the power is going to be off for a longer period of time, you need to take the correct steps to protect your contents.

### Holidays

- **Short holidays:** Leave the wine cabinet operating during vacations of less than three weeks.
- **Long holidays:** If the appliance will not be used for several months, remove all items and turn off the appliance. Clean and dry the interior thoroughly. To prevent odours and mould growth, leave the door open slightly. Carefully blocking it open if necessary.

### Moving your appliance

- Remove all items (Never move the product with wine still inside).
- Securely tape down all loose items (shelves) inside your appliance.
- Wind the adjustable legs up to the base fully to avoid damage.
- Tape the door shut.
- Be sure the appliance stays secure in the upright position during transportation. Also protect outside of appliance with a blanket, or similar item.
- As with the first installation, ensure you allow the product to stand in its final location for a minimum of 12 hours before switching the wine cabinet on again.

### Energy saving tips

- The wine cabinet should be located in the coolest area of the room, away from heat producing appliances and out of the direct sunlight.
- Limit the amount of time the door is opened to reduce the amount of cold air lost.

## Problems with your appliance

You can solve many common wine cabinet problems easily, saving you the cost of a possible service call. Try the suggestions below to see if you can solve the problem before calling the Caple service centre.

### Troubleshooting guide

<b>Problem</b>	<b>Possible cause</b>
Wine cabinet does not operate.	Not plugged in. The appliance is turned off. The circuit breaker has tripped or a blown fuse.
Wine cabinet is not cold enough.	Check the temperature control setting. The external environment may require a higher setting. The door is being opened too often. The door is not completely closed. The door gasket does not seal properly.
Turns on and off frequently.	The room temperature is hotter than normal. A large amount of contents has been added to the wine cabinet. The door is being opened too often. The door is not closed completely. The temperature control is not set correctly. The door gasket does not seal properly.
The light does not work.	Not plugged in. The circuit breaker has tripped or a blown fuse. The bulb has burned out. The light button is set to "OFF".
Vibrations.	Check to ensure that the wine cabinet is level.
The wine cabinet seems to make too much noise.	The rattling noise may come from the flow of the refrigerant, which is normal. As each cycle ends, you may hear gurgling sounds caused by the flow of refrigerant in your wine cabinet. Contraction and expansion of the inside walls may cause popping and crackling noises, this is also normal. The wine cabinet is not level.
The door will not close correctly.	The wine cabinet is not level. The door was reversed and not correctly installed. The gasket is dirty. The shelves are out of position.

## Defrosting/condensation

Your wine cabinet is designed with an "Auto-cycle" defrost system. When the RUN cycle is OFF, the refrigerated surface of the wine cabinet (interior rear wall) defrosts automatically. The defrosted water is channelled into a drain pan which is located at the back of the cabinet next to the compressor from where it evaporates.

## Humidity system

The wine cabinet is equipped with a system for maintaining the correct level of humidity. If humidity is too low, insert the small plastic reservoir on to the top shelf. Fill this reservoir 3/4 full with water. Check the water level occasionally and refill as necessary.

## Recommended storage temperatures

For storing ALL TYPES OF WINES 12 °c to 14 °c

## Recommended drinking temperatures

Champagne NV, Sparkling	6 °c
Champagne Vintage	10 °c
Dry White Semillon, Sauvignon Blanc	8 °c
Dry White Gewürztraminer, Riesling	10 °c
Dry White Chardonnay	10 °c
Vintage Chardonnay	14 °c
Sweet White Sauternes Monbazillac, Late Harvest ice wine	10 °c
Sweet whites vintage Sauternes	14 °c
Beaujolais	13 °c
Red Pinot Noir	16 °c
Vintage Pinot Noir red	18 °c
Red Cabernet, Merlot, French, Australian, New Zealand, Chilean, Argentinean, Italian, Spanish, Californian	18 °c
Red Grenache, Syrah	16 °c

## Before disposing of your appliance

1. Disconnect the plug from the main socket.
2. Cut off the mains cable and discard it.

## Environmental protection

Waste electrical products should not be disposed of with household waste. Please recycle where facilities exist. Check with your Local Authority or retailer for recycling advice. This appliance is marked according to the European directive 2002/96/EC on Waste Electrical and Electronic Equipment (WEEE). By ensuring this product is disposed of correctly, you will help prevent potential negative consequences for the environment and human health, which could otherwise be caused by inappropriate waste handling of this product. The symbol on the product indicates that this product may not be treated as household waste. Instead it shall be handed over to the applicable collection point for the recycling of electrical and electronic equipment. Disposal must be carried out in accordance with local environmental regulations for waste disposal. For more detailed information about treatment, recovery and recycling of this product, please contact your local council, your household waste disposal service or the retailer where you purchased the product.



## CE Declarations of Conformity

This appliance has been manufactured to the strictest standards and complies with all applicable legislation, Low Voltage Directive (LVD) and Electromagnetic Compatibility Directive (EMC).

Caple  
Fourth Way  
Avonmouth  
Bristol  
BS11 8DW  
[www.caple.co.uk](http://www.caple.co.uk)