

Wine cabinet JLWVF606

Instruction manual



John Lewis

Contents

Important warnings and advice	3
Disposal of old appliance	3
Installation instructions	4
Operating your wine cabinet and setting the temperature control	5
Control system instructions	5
Setting the temperature controls	5
Shelves	6
Installing the decorative frame	6
Installation dimensions	7
Care and maintenance	8
Problems with your wine cabinet?	9
Troubleshooting guide	9
Defrosting/condensation	10
Humidity maintenance system	10
Recommended temperature settings	10
Recommended drinking temperature	10
Repairs – after sales service	11
Spare parts	11
Environmental information	11

Thank you for purchasing this John Lewis Wine cabinet. Please read the instructions and warnings carefully before use to ensure safe and satisfactory operation of this product.

Important warnings and advice

- To prevent damaging the door gasket, make sure you have the door all the way open when pulling shelves out of the rail compartment.
- The appliance must be positioned so that the plug is accessible. Release the electric cord which is fitted with a 13A plug, move your cabinet to its final location. Do not move your cabinet while loaded with wine, you might distort the body. The wine cellar should be installed in a suitable place in order to avoid touching the compressor with your hand.
- If the supply cord is damaged it must be replaced by a service agent or a similarly qualified person in order to avoid a hazard.
- **Please do not try to extend the power cable in any way.**
- Unpack your wine cabinet carefully and remove all of the protective packaging from inside and outside.
- Packaging (plastic bags, polystyrene, nails, metal, etc.) must not be left within the reach of children as it is a potential source of danger.
- After unpacking, make sure that the appliance is in perfect order. If you have any doubt, do not use it and contact your retailer.
- Check that all the fittings are in the correct position on the inside of the cabinet.
- Ensure that the specified installation instructions are adhered to.
- Do not try to modify the appliance's technical characteristics as this could be dangerous.
- This appliance is intended to be used exclusively for the storage of wine. It is not designed for food storage.
- Do not clean or maintain the appliance without disconnecting it first.
- Ensure that you fully understand these instructions before operating this appliance.
- Never clean appliance parts with flammable fluids. The fumes can create a fire hazard or explosion.
- The refrigerant of these appliances is R600a. Flammable and explosive articles should not be put in or near the cabinet, to avoid the risk of fire or explosion.

Disposal of old appliance

Discarded appliances are potentially dangerous to children.

Before you throw away your old wine cabinet:

- Remove the door. Leave the shelves in place so that children cannot easily climb inside.
- Never allow children to operate, play with, or climb inside the appliance.

Installation instructions

Before using your wine cabinet

- Remove the exterior and interior packaging.
- Before connecting the wine cabinet to the power source, let it stand upright for approximately 12 hours. This will reduce the possibility of a malfunction in the cooling system from handling during transportation.
- Clean the interior surface with lukewarm water using a soft cloth.
- When disposing of your appliance, please choose an authorised disposal site.

Installation of your wine cabinet

- Place your wine cabinet on a floor that is strong enough to support it when it is fully loaded. To level your wine cabinet, adjust the front levelling leg at the bottom of the wine cabinet.
- Locate the wine cabinet away from direct sunlight and sources of heat (cooker, oven, radiator etc.). Direct sunlight may affect the acrylic coating and heat sources may increase electrical consumption. Extreme cold ambient temperatures may also cause the unit to not perform properly.
- Avoid locating the unit in moist areas.
- Plug the wine cabinet into an exclusive, properly installed grounded wall outlet. Do not under any circumstances cut or remove the third (ground) prong from the power cord. Any questions concerning power and/or grounding should be directed towards a certified electrician or an authorised service engineer.

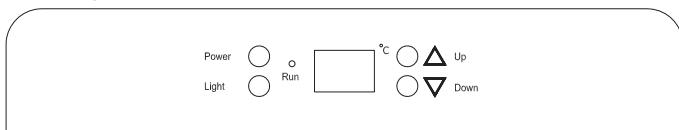
Attention

- Store wine in sealed bottles.
- Do not overload the cabinet.
- Do not open the door unless necessary.
- Do not cover shelves with aluminium foil or any other shelf material which may prevent air circulation.
- Should the wine cabinet be stored without use for long periods it is suggested, after a careful cleaning, to leave the door ajar to allow air to circulate inside the cabinet in order to avoid possible formations of condensation, mould or odours.

Operating your wine cabinet and setting the temperature control

Please use the cabinet within an ambient temperature of 5°C–32°C. If the ambient temperature is higher or lower than this temperature, it will cause a temperature fluctuation in the cabinet and may prevent it reaching 5–18°C.

Control system instruction



- **“Run”**
Indicator light illuminates to signify the cooling mode is currently in operation.
- **“Light” button**
To control the interior light, ON/OFF.
- **“Power” button**
To control this unit’s power, ON/OFF. (Press and hold this button for approximately 3 seconds).
- **“Up” button**
To raise (warm) the temperature in 1°C stages.
- **“Down” button**
To lower (cool) the temperature in 1°C stages.

Setting the temperature controls

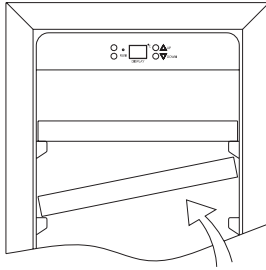
- The appliance when switched on will automatically set to 7°C for the left hand compartment and 12°C for the right hand compartment. In the event of power interruption, the previous temperature setting is automatically erased and it will default to the preset temperature settings.
- Each cooling compartment for the wine cabinet (left and right) is independently controlled.
- Set the desired cooling temperature by pressing the buttons adjacent to the “UP/DOWN” program. Each depression of the buttons will scroll through the available temperature settings in 1 degree increments. The temperature selected will flash in the LED display for approximately 5 seconds, then revert back to display the set temperature.
- The temperature setting can be adjusted from 5°C to 18°C.
- Flashing LED = Cabinet temperature.
- Steady LED = Set temperature.

Note:

- If the unit is unplugged, power is lost, or turned off, you must wait 3 to 5 minutes before restarting the unit. If you attempt to restart before this time delay, the wine cabinet will not start.
- When you use the wine cabinet for the first time or restart the wine cabinet after having been shut off for a long time, there could be a few degrees variance between the temperature you select and the one indicated on the LED readout. This is normal and it is due to the length of the activation time. Once the wine cabinet is running for a few hours everything will be back to normal.

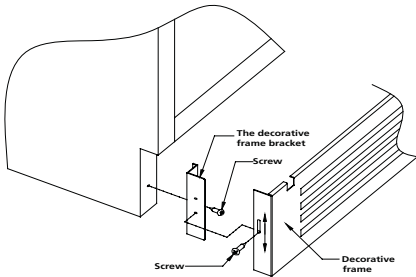
Shelves

- To prevent damaging the door gasket, make sure you have the door all the way open when pulling shelves out of the rail compartment.
- For easy access to the storage contents, you must pull the shelves approximately 1/3 out of the rail compartment, however, this unit was designed with a notch on each side of the shelf tracks to prevent bottles from falling.
- When removing any of the shelves from the rail compartment, tilt the shelf as per the diagram and pull out. To re-insert the shelf push it in until it sits on the support brackets securely.



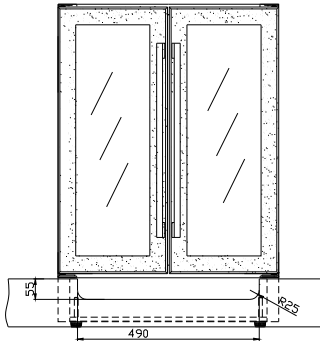
Installing the decorative frame

Take out the decorative frame and the brackets from the accessories box. Fix the brackets to the cabinet with the screws provided and fix both sides of the decorative frame to the brackets with the 2 supplied screws as shown in below diagram.

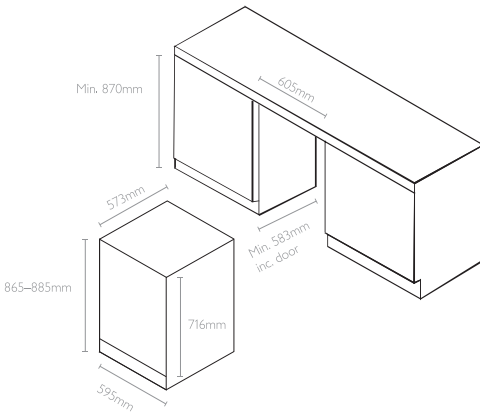


Fitting a kitchen plinth

To incorporate this into your kitchen furniture, as an alternative to installing the decorative frame provided, this model is also recessed to fit a kitchen plinth. A H55mm vent slot is required in the kitchen plinth to ensure air is able to ventilate correctly. Failure to include this vent slot will invalidate the guarantee. If preferred the stainless steel grill (W525 x H60mm) supplied can be fixed to the plinth with the screws provided to cover the ventilation slot.



Installation dimensions



Care and maintenance

Cleaning

- Turn off the power, unplug the appliance and remove all items including shelves and rack.
- Wash the inside surfaces with a warm water and baking soda solution. The solution should be about two tablespoons of baking soda to one litre of water.
- Wash the shelves with a mild detergent solution.
- Wring excess water out of the sponge or cloth when cleaning the control panel or any electrical parts.
- Wash the outside cabinet with warm water and mild liquid detergent. Rinse well and wipe dry with a clean soft cloth.

Power failure

If a power failure is corrected within a few hours; it should not affect the temperature of your appliance if you minimise the number of times the door is opened. If the power is going to be off for a longer period you need to take action to protect the contents.

Holiday time

- **Short holidays:** Leave the wine cabinet operating during holidays of less than three weeks.
- **Long holidays:** If the wine cabinet will not be used for longer than 3 weeks, remove all items and disconnect. Clean and dry the interior thoroughly. To prevent odour and mould growth, leave the door open slightly (blocking it open if necessary).

Moving your wine cabinet

- Remove all bottles.
- Securely tape down all shelves inside the cabinet.
- Turn the adjustable legs up to the base to avoid damage.
- Tape the door shut.
- Be sure the appliance stays secure and upright during transportation. Also protect the outside of the wine cabinet (e.g. with a blanket).

Energy saving tips

The wine cabinet should be located in the coolest area of the room, away from heat-producing appliances and out of direct sunlight.

Problems with your wine cabinet?

You can solve many common wine cabinet problems easily, saving you the cost of a possible service call. Try the suggestions below to see if you can solve the problem before calling the service engineer, (see page 11 for after sales service).

Troubleshooting guide

Problem	Possible cause
Wine cabinet does not operate.	Not plugged in. The appliance is turned off. The circuit breaker has tripped or a fuse has blown.
The wine cabinet is not cold enough.	Check the temperature control setting. External environment may necessitate a higher setting. The door is opened too often. The door is not closed completely. The door gasket does not seal properly.
Compressor turns on and off frequently.	The room temperature is hotter than normal. A large amount of contents have been added to the wine cabinet. The door is opened too often. The door is not closed completely. The temperature control is not set correctly. The door gasket does not seal properly.
The light does not work.	Not plugged in. The circuit breaker tripped or a fuse has blown. The bulb has burnt out. The light button is "OFF".
Vibrations.	Check to ensure that the wine cabinet is level.
The wine cabinet seems to make too much noise.	A rattling noise may come from the flow of refrigerant, which is normal. As each cycle ends, you may hear gurgling sounds caused by the flow of refrigerant in your wine cabinet. Contraction and expansion of the inside walls may cause popping and crackling noises. The wine cabinet is not level.
The door will not close properly.	The wine cabinet is not level. The gasket is dirty. The shelves are out of position.

Defrosting/condensation

Your wine cabinet is designed with an "auto-cycle" defrost system. When the RUN cycle is OFF, the refrigerated surface of the wine cabinet (interior rear wall) defrosts automatically. The defrosted water is channelled into a drain pan which is located at the back of the wine cabinet next to the compressor from where it evaporates.

Humidity maintenance system

The wine cabinet is equipped with a system for maintaining the correct level of humidity. If humidity is too low, insert the small plastic reservoir onto the top shelf. Fill this reservoir three quarters full with water. Check the water level occasionally and refill as necessary.

Recommended temperature settings

For storing all types of wines

12°C to 14°C

Recommended drinking temperature

Champagne NV, sparkling	6°C
Champagne vintage	10°C
Dry white Sémillon, Sauvignon blanc	8°C
Dry white Gewürztraminer, Riesling	10°C
Dry white Chardonnay	10°C
Vintage Chardonnay	14°C
Sweet white Sauternes Monbazillac, late harvest ice wine	10°C
Sweet white vintage Sauternes	14°C
Beaujolais	13°C
Red Pinot Noir	16°C
Vintage Pinot Noir red	18°C
Red Cabernet, Merlot, French, Australian, New Zealand, Chilean, Argentinian, Italian, Spanish, Californian	18°C
Red Grenache, Syrah	16°C

Repairs – after sales service

Your appliance comes with a three year warranty. If it is not working correctly, consult the fault-finding guides within this instruction book (troubleshooting guide, pg. 9). If a fault occurs which you can not resolve through following the advice and information contained within this instruction manual, the next step is to contact our extended warranty administrators on: **0844 871 7771**

They will give you details for your local service engineer. Before calling out an engineer, please ensure you have read the details under the heading “Troubleshooting guide”. When you contact your local service engineer you will need to give the following details:

1. Your name, address and post code.
2. Your telephone number.
3. Clear and concise details of fault.
4. The purchase date as found on your receipt.
5. The model and serial number of the appliance.

So that you always have these numbers at hand, we recommend that you make a note of them here:


Mod. :
PNC :
S.N. :

Important: If you call out an engineer to repair a fault caused by incorrect use or installation, a charge will be made even if the appliance is under guarantee.

Spare parts

Always insist on genuine spare parts. An authorised service engineer should service this product, and only genuine spare parts should be used. Under no circumstances should you attempt to repair the appliance yourself. Repairs carried out by inexperienced persons may cause injury or serious malfunctioning. For further guidance contact your local John Lewis branch.

Environmental information

This symbol  indicates that this product should not be treated as normal household waste and should be recycled. John Lewis does not operate instore take back, but as members of the Distributor Take Back scheme have funded the development and upgrade of recycling facilities across the UK. Please take it to your nearest collection facility or for further details contact your local council or visit www.recycle-more.co.uk.

Gas type – R600A.

Fuse rated – 5 amp 230V.

John Lewis Partnership
171 Victoria Street
London SW1E 5NN
www.johnlewis.com

 Retain these instructions for future reference.