

Wine cabinet JLWF153

Instruction manual



John Lewis

Contents

Important warnings and advice	3
Disposal of old appliance	3
Installation instructions	4
Safety instructions	4
Operating your wine cabinet and setting the temperature control	5
Control system instructions	5
Setting the temperature controls	5
How to change the door opening	6
Installing the bar handle	7
Installation dimensions	7
Care and maintenance	8
Problems with your wine cabinet?	9
Troubleshooting guide	9
Defrosting/condensation	10
Humidity maintenance system	10
Recommended temperature settings	10
Recommended drinking temperature	10
Repairs – after sales service	11
Spare parts	11
Environmental information	11

Thank you for purchasing this John Lewis Wine cabinet. Please read the instructions and warnings carefully before use to ensure safe and satisfactory operation of this product.

Important warnings and advice

- To prevent damaging the door gasket, make sure you have the door all the way open when pulling shelves out of the rail compartment.
- The appliance must be positioned so that the plug is accessible. Release the electric cord which is fitted with a 13A plug, move your cabinet to its final location. Do not move your cabinet while loaded with wine, you might distort the body. The wine cellar should be installed in a suitable place in order to avoid touching the compressor with your hand.
- If the supply cord is damaged it must be replaced by a service agent or a similarly qualified person in order to avoid a hazard.
- **Please do not try to extend the power cable in any way.**
- Unpack your wine cabinet carefully and remove all of the protective packaging from inside and outside.
- Packaging (plastic bags, polystyrene, nails, metal, etc.) must not be left within the reach of children as it is a potential source of danger.
- After unpacking, make sure that the appliance is in perfect order. If you have any doubt, do not use it and contact your retailer.
- Check that all the fittings are in the correct position on the inside of the cabinet.
- Ensure that the specified installation instructions are adhered to.
- Do not try to modify the appliance's technical characteristics as this could be dangerous.
- This appliance is intended to be used exclusively for the storage of wine. It is not designed for food storage.
- Do not clean or maintain the appliance without disconnecting it first.
- Ensure that you fully understand these instructions before operating this appliance.
- Never clean appliance parts with flammable fluids. The fumes can create a fire hazard or explosion.
- The refrigerant of these appliances is R600a. Flammable and explosive articles should not be put in or near the cabinet, to avoid the risk of fire or explosion.
- This product is not designed for commercial use, it is a household appliance only. It is not intended to be used in:
 - Staff kitchen areas in shops, offices and other working environments
 - Bed and breakfast type environments
 - By clients in hotels, motels and any other residential type environments

Disposal of old appliance

Discarded appliances are potentially dangerous to children.

Before you throw away your old wine cabinet:

- Remove the door. Leave the shelves in place so that children cannot easily climb inside.
- Never allow children to operate, play with, or climb inside the appliance.

Installation instructions

Before turning the wine cabinet on ensure it is perfectly level. This will minimise any vibrations.

Your cabinet is equipped with four adjustable feet. However, we recommend that you tighten the back feet to the maximum and then use the front feet to level the cabinet.

Important: Wait 12 hours before turning the wine cabinet on for the first time.

Safety instructions

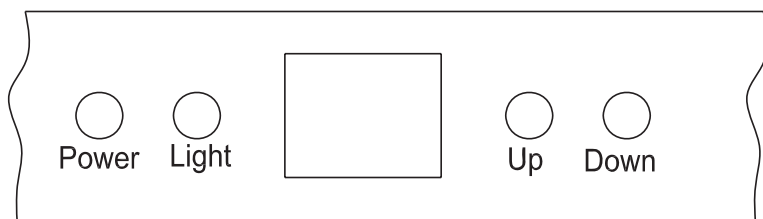
- A fan evacuates heat via the bottom vents.
- It must be installed well away any heat source.
- It must not be placed in direct sunlight.
- It must not be in a damp location (laundry, bathroom, etc.).
- It must be perfectly level.
- It must have a correctly installed and reliable electricity supply correctly earthed.
- Use of a multi-socket or extension lead is not recommended.
- This wine cabinet must be earthed to provide protection in the event of an electrical short circuit.
- It is fitted with a power cord having an earth wire terminating in a 13 amp plug.
- Consult a qualified electrician or service engineer if the earthing instructions are not completely understood.

Warning! Incorrect earthing can result in the risk of electric shock.

Operating your wine cabinet and setting the temperature control

The wine cabinet should be placed where the ambient temperature is between 16°C and 32°C. If the ambient temperature is above or below this range, the performance of the unit may be affected. For example, placing your unit in extreme cold or hot conditions may cause the interior temperature to fluctuate and may not reach the set temperature.

Control system instructions



- **“Light” button**
To control the interior light, ON/OFF.
- **“Power” button**
To control this unit’s power, ON/OFF. (Press and hold this button for approximately 3 seconds).
- **“Up” button**
To raise (warm) the temperature in 1°C stages.
- **“Down” button**
To lower (cool) the temperature in 1°C stages.

Setting the temperature controls

- The appliance when switched on will automatically set to 12°C. In the event of power interruption, the previous temperature setting is automatically erased and it will default to a preset temperature setting of 12°C.
- Set the desired cooling temperature by pressing the buttons adjacent to the “UP/DOWN” program. Each depression of the buttons will scroll through the available temperature settings in 1 degree increments. The temperature selected will flash in the LED display for approximately 5 seconds, then revert back to display the set temperature.
- The temperature setting can be adjusted from 5°C to 18°C.
- Flashing LED = Cabinet temperature.
- Steady LED = Set temperature.

Note:

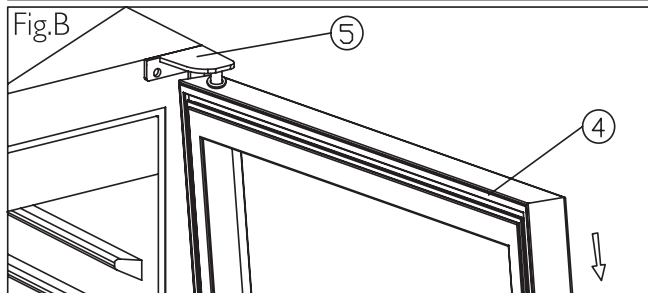
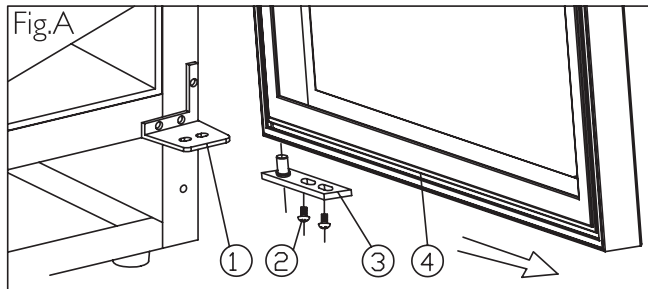
- If the unit is unplugged, power is lost, or turned off, you must wait 3 to 5 minutes before restarting the unit. If you attempt to restart before this time delay, the wine cabinet will not start.
- When you use the wine cabinet for the first time or restart the wine cabinet after having been shut off for a long time, there could be a few degrees variance between the temperature you select and the one indicated on the LED readout. This is normal and it is due to the length of the activation time. Once the wine cabinet is running for a few hours everything will be back to normal.

How to change the door opening

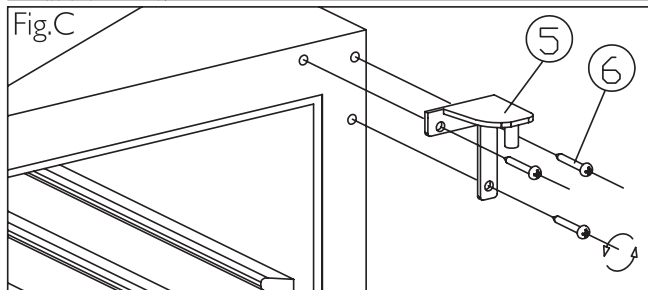
This appliance has a reversible door but is delivered with a right-hinged door. The left-hand hinge kit comes with the unit (in the box), should you wish to reverse the hinge on your unit.

- | | | |
|------------------------|-----------------------|---------------|
| ① Bottom hinge (right) | ② Screws | ③ Door axis |
| ④ Door | ⑤ Top hinge (right) | ⑥ Lock screws |
| ⑦ Top hinge (left) | ⑧ Bottom hinge (left) | |

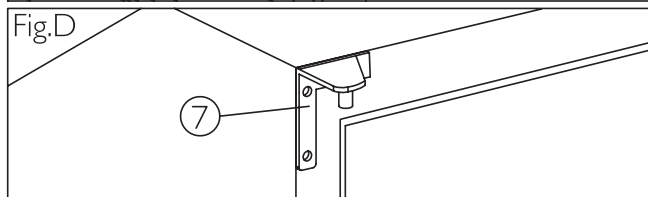
1. Remove the two screws ②, then pull the door ④ as per arrowhead direction, you will remove the door. Please remove bottom hinge (right) ① as well for assembly. (See fig. A and B.)



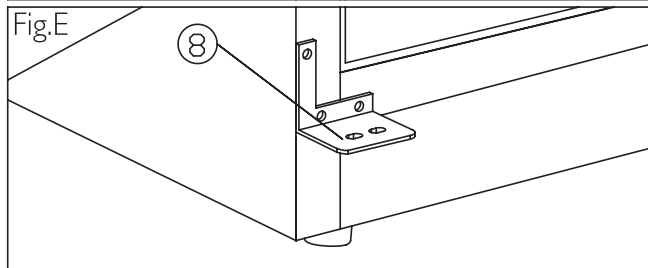
2. Remove three lock screws ⑥ of top hinge (right), then remove top hinge (right) ⑤ and bottom hinge (right) ①. (See fig. C.)



3. Use the screws which you removed from right side hinges to fix top hinge (left) and bottom hinge (left) ⑦ ⑧. (See fig. D and E.)

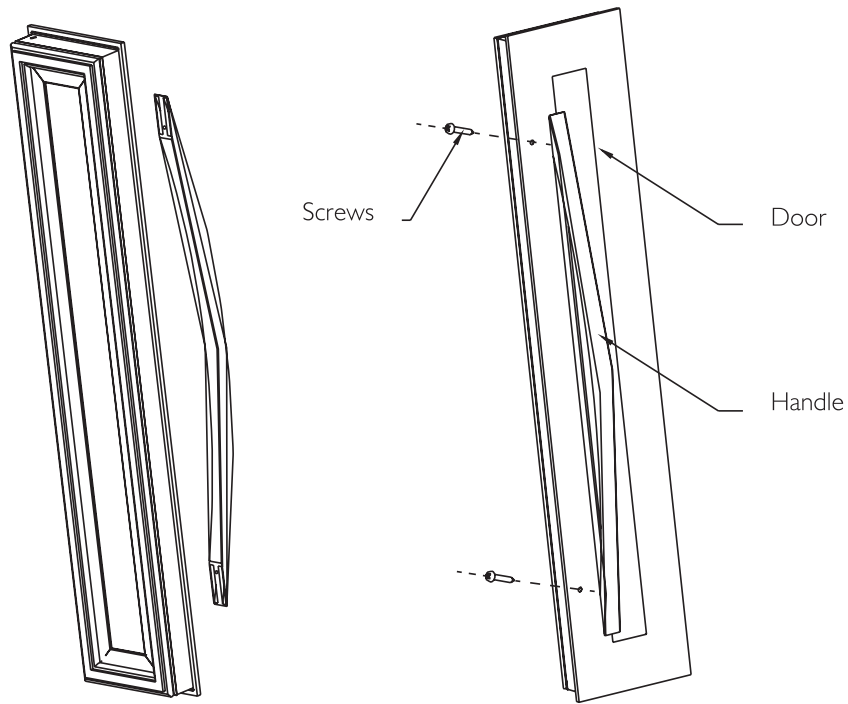


4. Rotate door 180 degrees, then install the door in the same way it was removed.

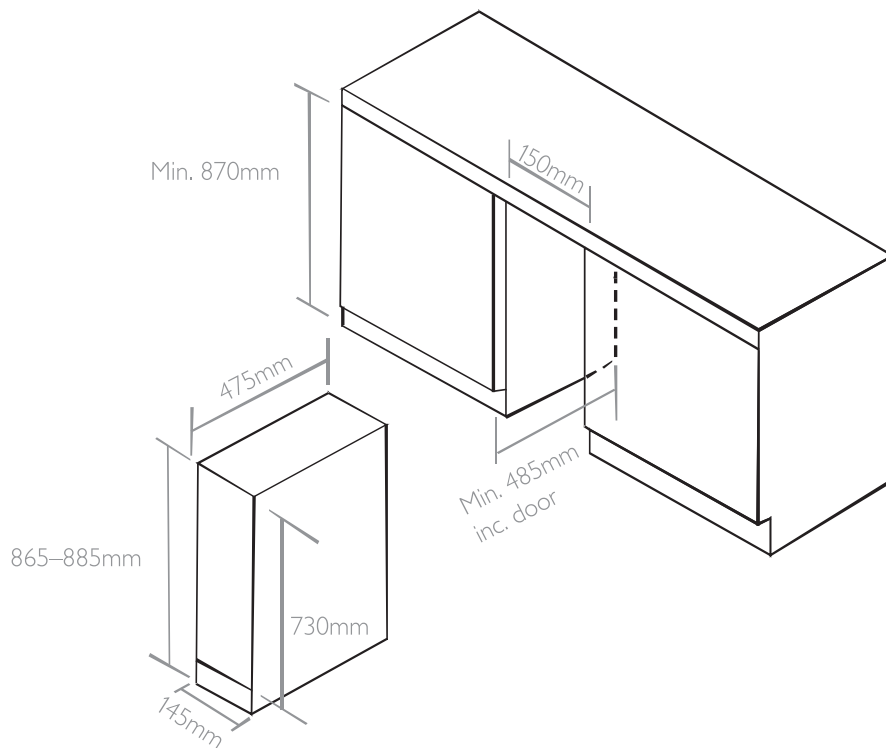


Installing the bar handle

Remove the door gasket on the drilling holes side to install the handle. (See below drawing.)



Installation dimensions



Care and maintenance

Cleaning

- Turn off the power, unplug the appliance and remove all items including shelves and rack.
- Wash the inside surfaces with a warm water and baking soda solution. The solution should be about two tablespoons of baking soda to one litre of water.
- Wash the shelves with a mild detergent solution.
- Wring excess water out of the sponge or cloth when cleaning the control panel or any electrical parts.
- Wash the outside cabinet with warm water and mild liquid detergent. Rinse well and wipe dry with a clean soft cloth.

Power failure

If a power failure is corrected within a few hours; it should not affect the temperature of your appliance if you minimise the number of times the door is opened. If the power is going to be off for a longer period you need to take action to protect the contents.

Holiday time

- **Short holidays:** Leave the wine cabinet operating during holidays of less than three weeks.
- **Long holidays:** If the wine cabinet will not be used for longer than 3 weeks, remove all items and disconnect. Clean and dry the interior thoroughly. To prevent odour and mould growth, leave the door open slightly (blocking it open if necessary).

Moving your wine cabinet

- Remove all bottles.
- Securely tape down all shelves inside the cabinet.
- Turn the adjustable legs up to the base to avoid damage.
- Tape the door shut.
- Be sure the appliance stays secure and upright during transportation. Also protect the outside of the wine cabinet (e.g. with a blanket).

Energy saving tips

The wine cabinet should be located in the coolest area of the room, away from heat-producing appliances and out of direct sunlight.

Internal light

In order to reduce energy consumption, this wine cabinet will automatically switch off the LED lights after 10 minutes.

If you want the LED light to remain on continuously, this is possible. Please press and hold the "LIGHT" button for 5 seconds, the display will show "LP". After 4 seconds the display will revert back to normal and the light will remain on until manually switched off.

If you want to revert back and conserve energy (recommended), please press and hold the "LIGHT" button for 5 seconds, the display will show "LF", after 4 seconds the display will revert back to normal, and the light will automatically switch off after 10 minutes.

Problems with your wine cabinet?

You can solve many common wine cabinet problems easily, saving you the cost of a possible service call. Try the suggestions below to see if you can solve the problem before calling the service engineer, (see page 11 for after sales service).

Troubleshooting guide

Problem	Possible cause
Wine cabinet does not operate.	Not plugged in. The appliance is turned off. The circuit breaker has tripped or a fuse has blown.
The wine cabinet is not cold enough.	Check the temperature control setting. External environment may necessitate a higher setting. The door is opened too often. The door is not closed completely. The door gasket does not seal properly.
Compressor turns on and off frequently.	The room temperature is hotter than normal. A large amount of contents have been added to the wine cabinet. The door is opened too often. The door is not closed completely. The temperature control is not set correctly. The door gasket does not seal properly.
The light does not work.	Not plugged in. The circuit breaker tripped or a fuse has blown. The bulb has burnt out. The light button is "OFF".
Vibrations.	Check to ensure that the wine cabinet is level.
The wine cabinet seems to make too much noise.	A rattling noise may come from the flow of refrigerant, which is normal. As each cycle ends, you may hear gurgling sounds caused by the flow of refrigerant in your wine cabinet. Contraction and expansion of the inside walls may cause popping and crackling noises. The wine cabinet is not level.
The door will not close properly.	The wine cabinet is not level. The door was reversed and not properly installed. The gasket is dirty. The shelves are out of position.

Defrosting/condensation

Your wine cabinet is designed with an “auto-cycle” defrost system. When the RUN cycle is OFF, the refrigerated surface of the wine cabinet (interior rear wall) defrosts automatically. The defrosted water is channelled into a drain pan which is located at the back of the wine cabinet next to the compressor from where it evaporates.

Humidity maintenance system

The wine cabinet is equipped with a system for maintaining the correct level of humidity. If humidity is too low, insert the small plastic reservoir onto the top shelf. Fill this reservoir three quarters full with water. Check the water level occasionally and refill as necessary.

Recommended temperature settings

For storing all types of wines

12°C to 14°C

Recommended drinking temperature

Dry white Sémillon, Sauvignon blanc	8°C
Dry white Gewürztraminer, Riesling	10°C
Dry white Chardonnay	10°C
Vintage Chardonnay	14°C
Sweet white Sauternes Monbazillac, late harvest ice wine	10°C
Sweet white vintage Sauternes	14°C
Beaujolais	13°C
Red Pinot Noir	16°C
Vintage Pinot Noir red	18°C
Red Cabernet, Merlot, French, Australian, New Zealand, Chilean, Argentinian, Italian, Spanish, Californian	18°C
Red Grenache, Syrah	16°C

Repairs – after sales service

Your original receipt acts as your guarantee and confirms your guarantee period. Please make sure you retain it.

The guarantee does not cover you against faults caused by accidental damage or misuse. For further details visit johnlewis.com/customer-services.

If it is not working correctly, consult the fault-finding guides within this instruction book (troubleshooting guide, pg. 9). If a fault occurs which you can not resolve through following the advice and information contained within this instruction manual, the next step is to contact our extended warranty administrators on: **0844 871 7771**

They will give you details for your local service engineer. Before calling out an engineer, please ensure you have read the details under the heading "Troubleshooting guide". When you contact your local service engineer you will need to give the following details:

1. Your name, address and postcode.
2. Your telephone number.
3. Clear and concise details of fault.
4. The purchase date as found on your receipt.
5. The model and serial number of the appliance.

So that you always have these numbers at hand, we recommend that you make a note of them here:

Mod. :

PNC :


S.N. :

Important: If you call out an engineer to repair a fault caused by incorrect use or installation, a charge will be made even if the appliance is under guarantee.

Spare parts

Always insist on genuine spare parts. An authorised service engineer should service this product, and only genuine spare parts should be used. Under no circumstances should you attempt to repair the appliance yourself. Repairs carried out by inexperienced persons may cause injury or serious malfunctioning. For further guidance contact your local John Lewis branch.

Environmental information

This symbol  indicates that this product should not be treated as normal household waste and should be recycled. John Lewis does not operate instore take back, but as members of the Distributor Take Back scheme have funded the development and upgrade of recycling facilities across the UK. Please take it to your nearest collection facility or for further details contact your local council or visit www.recycle-more.co.uk.

Gas type – R600A.

Fuse rated – 5 amp 230V.

John Lewis Partnership
171 Victoria Street
London SW1E 5NN
www.johnlewis.com

 Retain these instructions for future reference.