

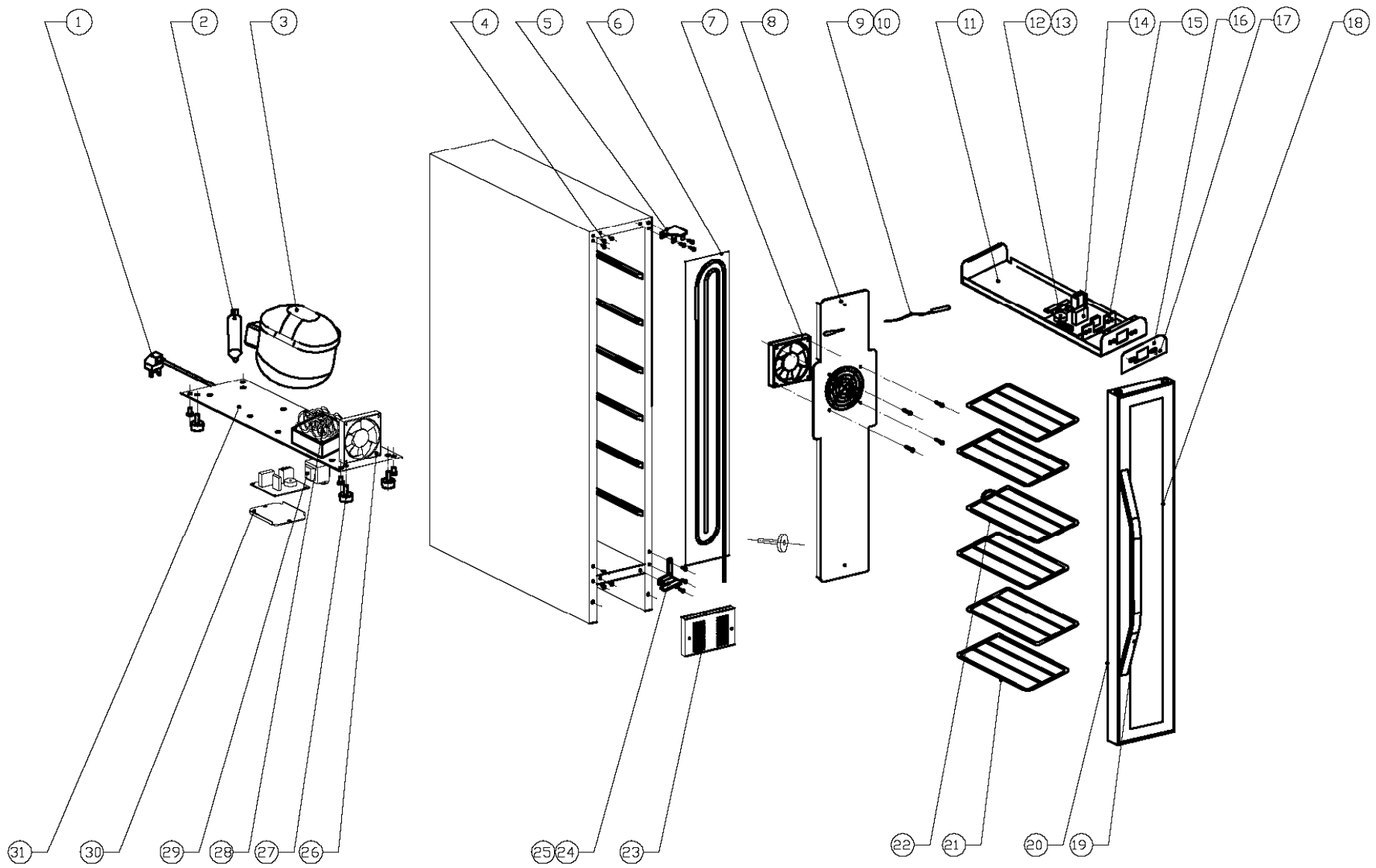


JLWF151

JLP 150m wine cabinet



TECHNICAL INFORMATION



caple

JLWF151

JLP 150m wine cabinet



JLWF151 - JLP 150m wine cabinet

Item	Part No .	Description	Qty
1	DG2-14	Power cord	1
2	DG11-4	Dry filter	1
3	DG1-58	Compressor	1
4	DG13-8	Decorative nail	3
5	DG14-154-BR	Top hinge module	1
6	DG12-77	Evaporator	1
7	DG7-4-BH	Evaporator fan(Upper)	1
8	DG22-397	Air duct board	1
9	DG8-7-W	Senser	1
10	DG8-7-R	Senser	1
11	DG22-396	Electrical box	1
12	DG3-41-W	LED light	1
13	DG13-127	LED Light Cover	1
14	DG3-42	PCB board	1
15	DG13-348	Button gasket	1
16	DG20-169	Display panel	1
17	DG13-130	Button	4
18	DG23-117-1	Cabinet door	1
19	DG13-407	cylinder knob	1
20	M184-026	Gasket	1
21	DG15-139	Shelf	5
22	DG15-146	Shelf	1
23	DG22-386	Decorative frame	1
24	DG14-167-BR	Lower hinge module right	1
25	DG14-116	Lower hinge	1
26	DG7-26-H	Condenser fan	1
27	DG13-6.2	Cabinet leg, type BC50	4
28	DG12-78	Condenser	1
29	DG6-2	Transformer	1
30	DG22-410	Electrical board box	1
31	DG22-381	Compressor bracket	1
	Spare part :		
	DG14-154-BL	Top hinge module	1
	DG14-167-BL	Lower hinge module right	1
	DG13-324	Stopper	1