



C811C

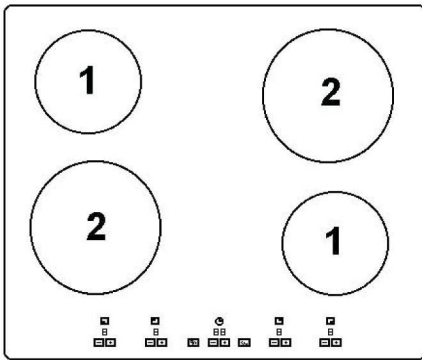
Caple 60cm Ceramic Hob
(Touch Control)



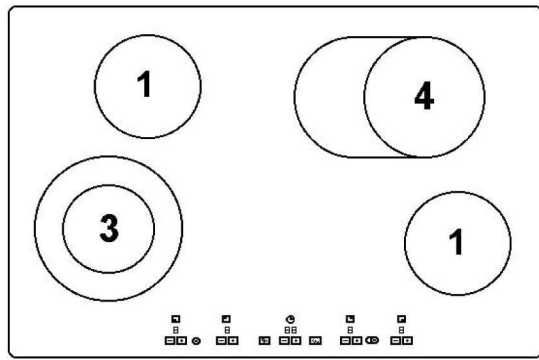
INSTRUCTION MANUAL

DESCRIPTION

HOT PLATES



C811C

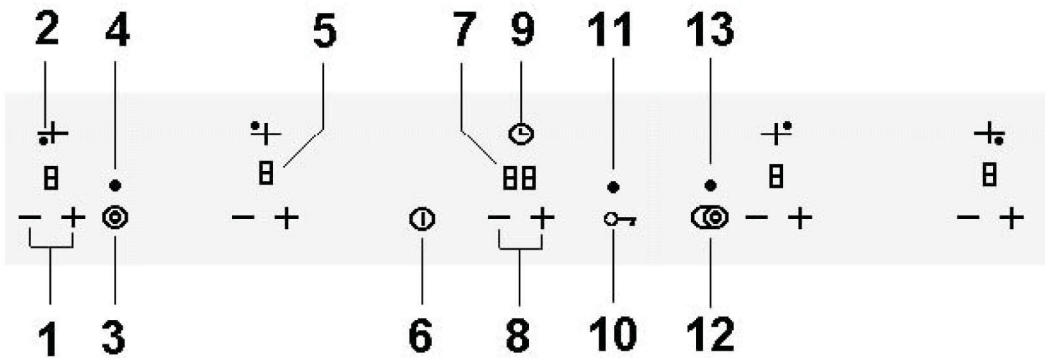


C821C

1 - Hi-light heating	145	1,2 kW
2 - Hi-light heating	180	1,8 kW
3 - 2 circuit hi-light heating	210/120	2,2/0,75 kW
4 - 2 circuit oval hi-light heating	260/180	2,2/0,75 kW

TOUCH CONTROL

- | | |
|--|--|
| 1 - Selection of cooking setting | 8 - Selection of timer setting |
| 2 - Cooking setting position | 9 - Timer position |
| 3 - Connection key front left | 10 - Locking of the cooking surface connection and selection |
| 4 - Connection display front left | 11 - Locking display |
| 5 - Display of cooking setting | 12 - Connection key rear right |
| 6 - On/Off switch , emergency off switch | 13 - Connection display rear right |
| 7 - Display timer | |





All operation relative to installation and electric connection should be carried out by skilled personnel in conformity with the regulations in force.

The specific instruction are described in the booklet section intended for the installer

NOTICE

- Use only flat pans and with sufficiently thick base, equal or not much superior that the hot plate (fig.1)
- The containers should not have rough bottoms in order to avoid scratching the heat surface of the top.
- Do not switch the electric plate without the pan over the plate.
- Do not cook any food on the hot area.
- Avoid overflows of liquid.
- Turn off the plate few minutes before the cooking end.

USE

Version by Touch Control switches

Switching on

The control is switched on by pressing the On/Off key (key 6) for 1 second, causing a sound signal; it will not turn on while the Key Lock function (key 10) is active (indicated by a LED) (Led 11).

The heating elements remain switched off (all the digits at 0) until a power level is selected. If this is not done within 10 seconds the control switches off automatically.

Selecting the cooking level

With the control turned on, the first time that the (+) sensor (key 1) is touched the heating element is turned on to the present level (in EEPROM).

The (+) sensor raises the cooking level to a maximum of 9, and the (-) (key 1) sensor reduces the cooking level to 0 (heating element switched off).

If a sensor is continuously pressed, the action involved is repeated every half second.

If we start with the (-) sensor the cooking level will be the highest (9).

Switching the double cooking area

The control (key3) or (key12) can be used to activate 2 heating elements with a double cooking area and one of them with 1 triple area, with 2 sensors to activate or cancel it. Each cooking area has an associated LED (Led 4 & 13). The selection of the heating element associated with the second cooking area is made in the factory through the

configuration software.

Touch the double area selector to select/deselect the double cooking area. If one heating-element has 1 double and 1 triple areas the procedure will be:

- 1rs-touch: the double area is selected
 - 2nd-touch: the triple area is selected
 - 3rd-touch: double and triple areas are not selected
- When the double cooking area is selected the associated LED (Led 4 or 13) turns on, although its heating-element has not any power level, and its relay will be still switch.

Activating the heat-up function

When cooking level 9 is selected (this function can only be operated from this level) touching the(+) (Key 1) sensor, the decimal point on the display (5) blinks for 10 seconds, during which the desired power level must be selected (between 1 and 8). After this time there is a sound signal, and the decimal point remains fixed, indicating the heat-up function is ON. Should the selected level be 0 or 9, the heat-up function is cancelled.

With the heat-up function activated, by touching the (+) sensor the duration of this function extends to the new power value selected; if the power is 9, the heat-up function is cancelled. When the heat-up function is finished, there is a sound signal, the decimal point of the display goes out and the element remains at the chosen power level.

Cancelling the heat-up function

Touch the (-) (Key 1) sensor while the heat-up function is ON to cancel it. The cooking level goes down.

When the heat-up function is cancelled, there is a sound signal and the decimal point on the display goes out. It shows blinking an "H" with the cooking level 0, when the temperature of the heating-element reaches 65°C. It appears fixed if the touch control is switch-off.

Setting the Key Lock function

Keep the Key Lock (Key 10) sensor pressed to activate/cancel the keyboard locking function. If the LED (11) associated with the Key Lock sensor is on, the keyboard is locked.

The locking function can be activated when the cooking levels are activated or when the cook top is off. If the cook top is on, the Key Lock function locks all the sensors except the On/Off (Key 6) general sensor and the key lock sensor.

When the cook top is turned off, the Key Lock function blocks all the sensors, including the general On/Off switch, except the key lock sensor.

Cancellation of the Key Lock function

If the keyboard is locked (the LED (11) associated with the Key Lock (Key 10) sensor is on), keep the Key Lock sensor pressed for 1 second to cancel the locking function and the indicator light will go out.

Residual heat indicators

While the temperature on the cook top glass surface is above 65°C, this condition will be shown in the associated display, by means of an "H".

If the cook top is switched off, residual heat is shown by a static "H" in the display. If the cook top is on, but the power level is 0, the associated display will show alternately "H" and "0".

To generate a temperature above 65°C a heating element has to be in operation for a certain time, which depends on the selected power level. Once this time is passed, the residual heat warning will come into operation when the element is switched off.

If the minimum time needed to exceed 65°C is over, the length of time the residual heat indicator remains in operation is a function of the time the element has remained turned on at a certain power level.

Safety auto-power-off

If the power level is not changed for a present time, the element in question will automatically be turned off.

The maximum operating time of an element depends on the cooking level selected.

Power Level	Max. Time ON. (hours)
1	10
2	5
3	5
4	4
5	3
6	2
7	2
8	2
9	1

Thermal protection of the control panel

When the control panel detects an ambient temperature above 96°C it turns off the nearest element (selected by software), and an "H" for residual

heat shows in the associated display.

An element turned off by the thermal protection can only be re-activated when the temperature falls below 89°C.

Timer operation

The timer is activated by pressing the (+) or (-) (Key 8) timer sensors. It can be set to any value between 1 and 99 minutes and can modify at any moment.

To cancel the timer, select the <00> value using the (-) timer sensor or switch it off by pressing the (+) and (-) timer sensors simultaneously.

The timer can be customised to suit the needs of the user by configuring the following options:

1. Increase of timer value (1 min. /5 min.).
2. Timed heating element (fixed / programmable).
3. Indication of timed heating element.
4. Duration of the acoustic alarm (1 min. /indefinite).
5. Default initial timer value.
6. Timer / Timer-Alarm mode.

Increase of timer value

Pressing the (+) or (-) (Key 8) timer sensors for a sustained period will result in an automatic increase/decrease, enabling the user to reach the desired timer value faster. The increase can be set to 1 minute or 5 minute increases/ decreases.

- 1 minute increases:

After the tenth consecutive increase/decrease the timer value increases or decreases faste

- 5 minute increases:

After the fifth consecutive increase/decrease, when the timer value reaches a multiple of 5, it increases or decreases 5 by 5 units instead of 1 by 1.

Timed heating element

Any of the heating elements under the touch control system, either simple or double, can be timed. When the timed period is over, the timed heating-element (and if applicable the twin area as well) switches itself off automatically.

The timed heating element can be programmed as follow:

- Fixed heating element:

The timer setting always applies to the same heating element.

- Programmable heating element:

The user can decide which heating element to time. The selection of a new heating element cancels the previous choice, thus the timer setting can only apply to one heating element at a time.

When we touch the keys (8) of the timer the first time, it will appear “t” in each heating element display waiting you selection.

- We always have to select the heating element after we have pressed a key of the timer.
- If we do not select any heating element during 10 sec., then the timer will switch off.
- After our heating-element selection we do not indicate a time different than 00, in 10 sec. The timer will switch off.

It could be possible to temporized a heating element with power level 0.

Indication of timed heating element

The touch control can indicate which heating element the timer is set up to control.

A flashing “t” appears over the timed heating element display (5) for 5 seconds every 15 seconds or every time the (+) or (-) timer sensors are pressed (Key 8).

This option is advisable when the timed heating element is programmable, as it serves to remind the user which heating element has been selected.

Duration of the acoustic alarm

Once the timed period has finished, an acoustic alarm sounds for a certain period and <00> flashes on the timer displays (7). The duration of the acoustic alarm can be programmed.

- 1 minute alarm:

The acoustic alarm stops after one minute. The timer displays continue to flash <00>. The user can switch off the alarm at any moment, even during the first minute, by pressing any sensor of the touch control.

- Indefinite alarm:

The alarm continues to sound until the user switches it off by pressing any sensor of the touch control.

Default initial timer value

The timer is switched on by pressing the (+) or (-) timer sensors (Key 8). If the (-) sensor is pressed the initial timer value will be 99 minutes, whereas with the (+) sensor, the initial timer value can be pre-determined to any value between 00 and 99 minutes.

Timer / Timer-Alarm mode

The timer has two different working modes:

- Timer mode: when the programmed period is over, the alarm is activated and the timed heating element switches itself off automatically. If the timer is set in this mode, this is indicated by the fact that the decimal point on the timer display is lit (7).

- Alarm mode: when the programmed period is over, the alarm is activated although the timed heating element is not switched off automatically. If the timer is set in this mode, this is indicated by the fact that the decimal point on the timer display is not lit (7).

The touch control enables the timer to be programmed for the following settings:

1. Timer setting:
Only allow the timer to work in timer mode.
2. Timer-alarm setting:
Allow the timer to work in either timer mode or alarm mode. The working mode is programmed by the user.

Configuration examples.

The following examples detail the basic functioning of the timer combining the timed heating element (fixed/programmable) and timer/timer-alarm settings. Any combination of the 4 remaining options (see below) can be added to these examples.

Increase of timer value (1 min. /5 min.).

Indication of timed heating element.

Duration of the acoustic alarm (1 min. /indefinite).

Default initial timer value.

These options permit the touch control timer to be customised to meet the individual requirements of the user.

Example #1: Fixed timed heating element + timer setting

The timer always works in timer mode, regulating the length of time the timed heating element is switched on. Once the programmed period is over, the timed heating element switches itself off automatically. The corresponding display (5) also switches off or shows an “H” to indicate residual heat and the timer alarm is activated.

Example #2: Fixed timed heating element + timer-alarm setting

The timer functions in either timer mode or alarm mode.

Timer mode: the programmed value determines the time during which the timed heating element is activated. Once the programmed period has passed, the fixed timed heating element switches itself off automatically. The corresponding display (5) also switches off or shows an “H” to indicate residual heat and the timer alarm is activated. To select this mode, before activating the timer (the timer display

(7) should be switched off) select a power setting (1) other than 0 for the fixed timed heating element, then set the timer value.

When this mode is selected, the decimal point on the timer display is activated (5).

Alarm mode: the programmed value determines the time which must pass before the alarm is activated. Once the programmed time is over, the time alarm is activated although the heating element does not switch itself off automatically. To select this mode, before activating the timer (the timer display (7) should be switched off) select the 0 power setting for the timed heating element, then set the timer value. When this mode is selected, the decimal point on the timer display will be switched off. Once the alarm mode has been selected, you can switch on the timed heating element.

Programmable timed heating element + timer setting

The timer always functions in timer mode, regulating the time during which the timed heating element programmed by the user is activated. The activation of this setting is indicated by the presence of a decimal point on the timer display (7). To select the timed heating element, when the timer is activated a "t" appears on the displays (5) of each one of the heating elements. The user has 10 seconds to select the heating element he or she wishes to time. To select a heating element, simply press either the (+) or (-) (Key 1) sensors of the chosen heating element.

Once the heating element has been selected, the "t" on the displays (5) will disappear, enabling the user to select the power settings and timer values required. Once the programmed time is over, the timed heating element will automatically switch itself off.

The corresponding display (5) also switches off or shows an "H" to indicate residual heat and the timer alarm is activated.

If the user does not select a heating element, the process is cancelled, the "t" disappears from the displays (5) and the timer is deactivated.

The selection process is reinitiated each time the timer is activated.

Programmable timed heating element + timer-alarm setting

The timer can function in either timer mode or in alarm mode. When the timer is activated, a "t" appears on the displays (5) of each of the heating elements. The user has 10 seconds to select the heating element he or she wishes to time. To select a heating element, simply press either the (+) or (-)

(1) sensors of the chosen heating element.

Timer mode: once the heating element has been selected, the "t" on the displays (5) will disappear, enabling the user to select the power settings and timer values required. The activation of this setting is indicated by the presence of the decimal point on the timer display (7). Once the programmed time has passed, the timed heating element will switch itself off automatically. The corresponding display (5) also switches off or shows an "H" to indicate residual heat and the timer alarm is activated.

Alarm mode: if no heating element is selected, the "t" on the displays (5) disappears, enabling the user to set the timer value. After the programmed period has passed, the alarm will be activated although no heating element will switch itself off automatically. When this mode is selected, the decimal point on the timer display will be switched off.

General switch-off

The cook top can always be switched off, regardless of the mode of operation it is, by touching the On/Off sensor (Key 6) for 1 second.

On switching off, there is a beep signal and the displays are turned off, unless there has to be an "H" for residual heat on any display.

Special Notes

If the keys for (+) and (-) (Key 1) of an element are touched together, the element turns off (display at 0). If the keys touched simultaneously are not of the same element the keyboard is locked and no operation is allowed.

The On/Off function prevails if 2 keys are touched at the same time, but only to turn off.

If all the cooking levels are at position 0, the control will turn off automatically after 10 sec. If a sensor is pressed for more than 10 sec., the control will automatically turn off and a "beep" will sound every 30 sec., while the sensor is pressed.

CLEANING

Remove leftovers and grease from the cooking surface with the special scraper (fig.3) (optional).

After that clean the heating area as best as possible with a paper towel and SIDOL, STAHLFIX or other similar products. Never use abrasive sponges or irritating chemical detergents such as oven spray or spot removers.



The operations indicated below must be followed by qualified personnel exclusively, in conformity with the regulations in force.

The manufacturing firm refuses all responsibility for damages to people, animal or things, resulting from the failure to comply with such provisions.

INSTALLATION

The appliance is designed to be embedded into heat-resistant pieces of furniture.

Make a hole in the top of the piece of furniture with the dimension indicated in fig. 4 at a distance of at least 50 mm from the appliance border to the adjacent walls.

Adhesive washer "S" along the border of the top bottom (fig.5)

Block it with the fastening hooks "C" (fig.6)

ATTENTION

Should a built-in oven or any other appliance producing heat be fitted directly under a glass ceramic cook-top with Touch Control, it is necessary isolate the hob with a separator. The bottom temperature must be low 60°C.

Disregard of this precaution could cause the wrong working of the Touch Control system.

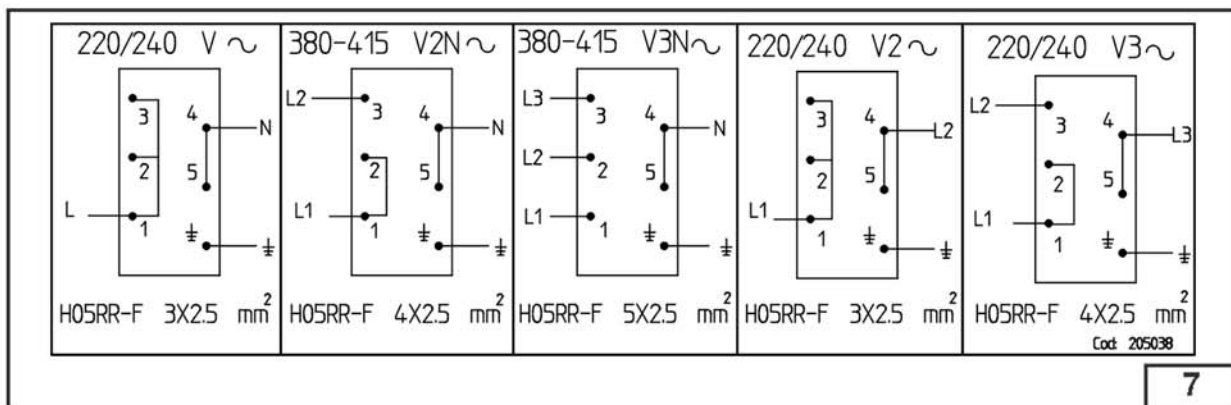
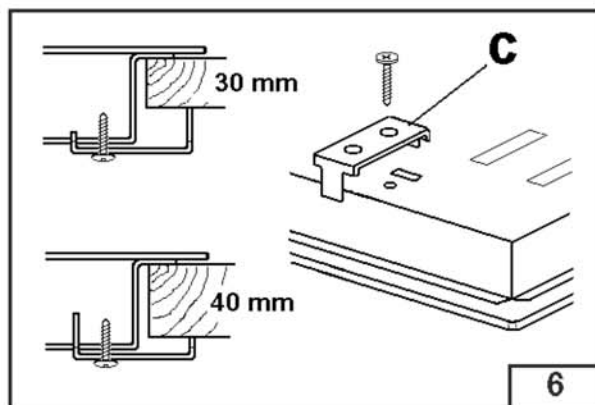
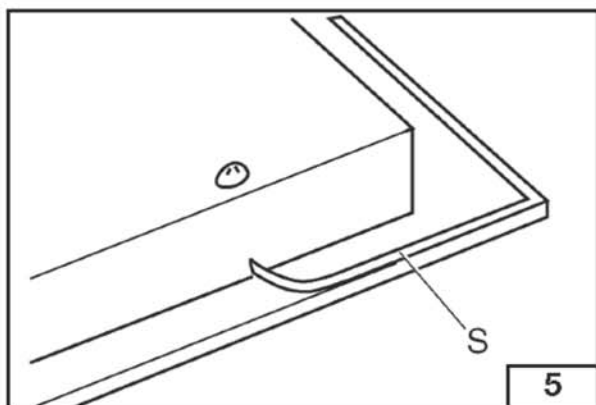
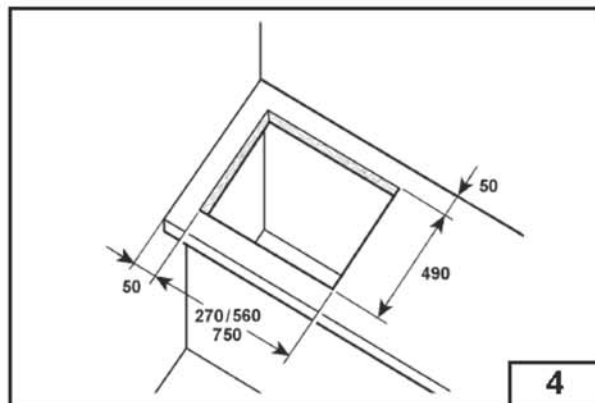
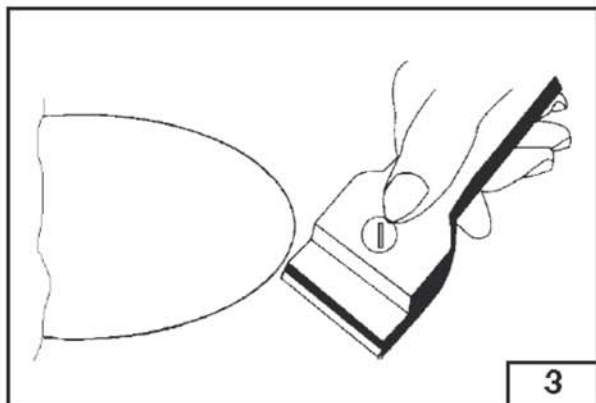
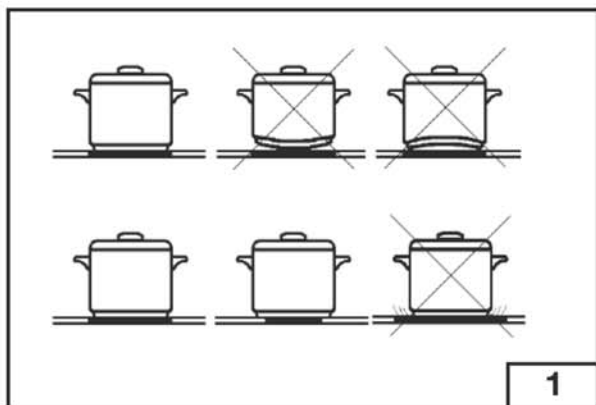
ELECTRICAL CONNECTIONS (fig.7)

Before carrying out electrical connection be sure that the characteristics of the electrical system meet the specifications of the located at the bottom of the work-top and the electrical system is provided with effective ground in compliance with the regulations and provision of the law in force.

The ground is binding according to the law.

If the appliance is not provided with cable and/or relative plug, apply a standardized plug to the power supply cable.

If you wish a direct connection to the line , it is necessary to interpose a single-pole switch, with a minimum opening between the contacts of 3 mm. , suitable for the indicated in the plate and in conformity with the rules in force (the yellow/green ground cable should not be interrupted by the switch).



The manufacturing firm refuses all responsibility for any possible imprecision in this booklet, due to misprints or clerical errors. It reserves the right to make all the changes that it will consider necessary in its own products, without affecting the essential characteristics of functionality and safety.