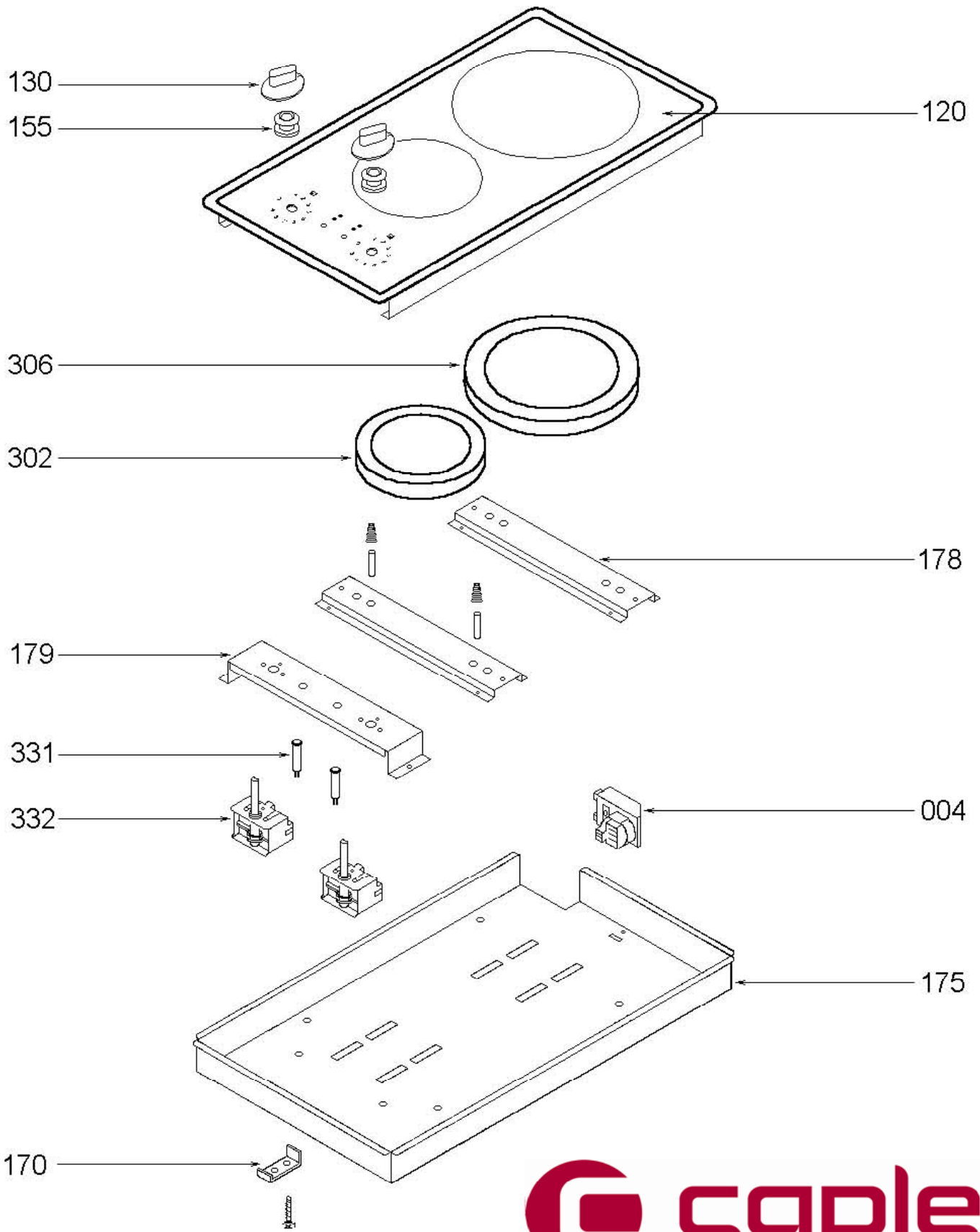




C630C

Caple Ceramic Domino Hob

TECHNICAL INFORMATION



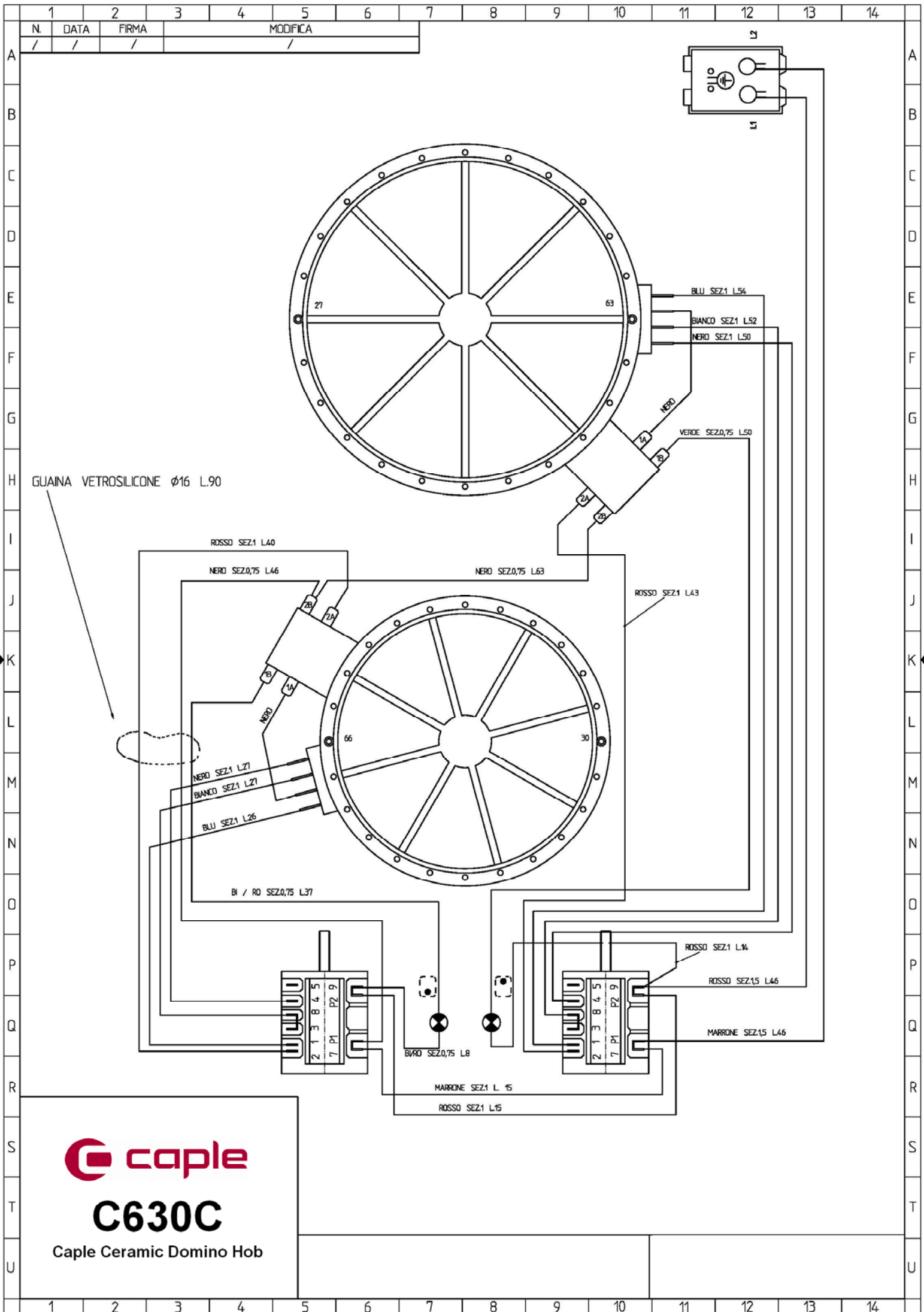
C630C

Caple Ceramic Domino Hob



MODEL C630C SPARE PARTS LIST

Diagram Number	Part Code	Description
004	005005	TRIPOLAR MICRO UNIT
120	806031	CERAMIC GLASS+INOX FRAME 29
130	202122	BLACK KNOB
155	204032	KNOB WATER SEAL BUSH VTC
170	308023	FIX TOP HOOK
175	621079	TOP BOTTOM VTC 29
179	621078	ELECTRONIC BOX FOR POWER CIRCUIT VT
302	007013	RADIANT HEATING ELEMENT 145 1200W
306	007014	RADIANT HEATING ELEMENT 180 1700W
331	006005	WARNING LIGHT
332	003049	SWITCH



GUAINA VETROSILICONE Ø16 L90



C630C

Caple Ceramic Domino Hob