



# PI650WH

Caple Pantom Island hood White



# INSTRUCTION MANUAL

Fig.1

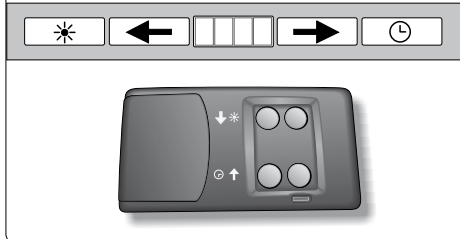


Fig.2

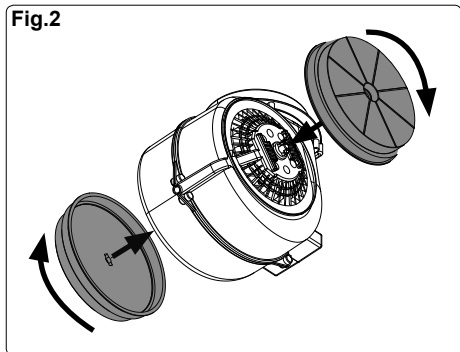


Fig.3

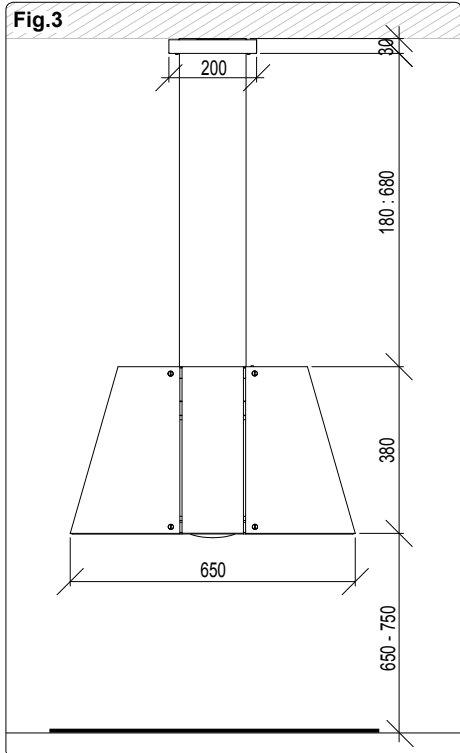
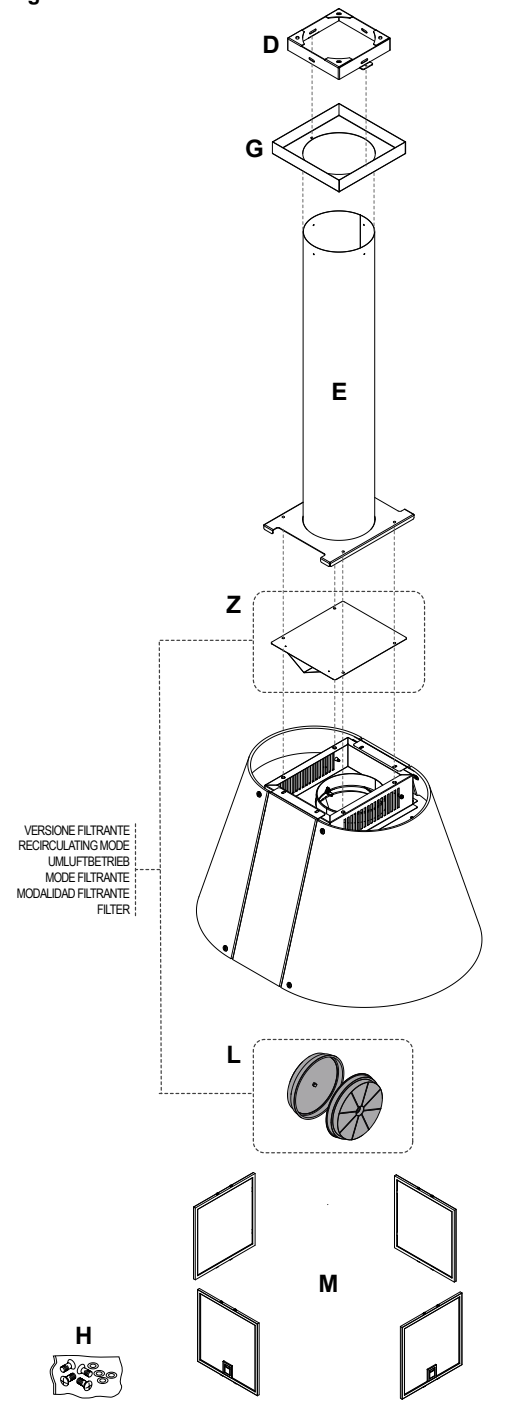
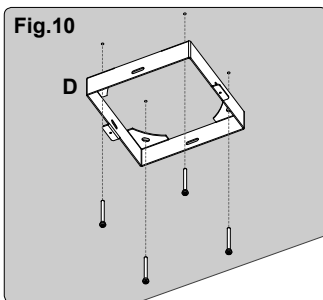
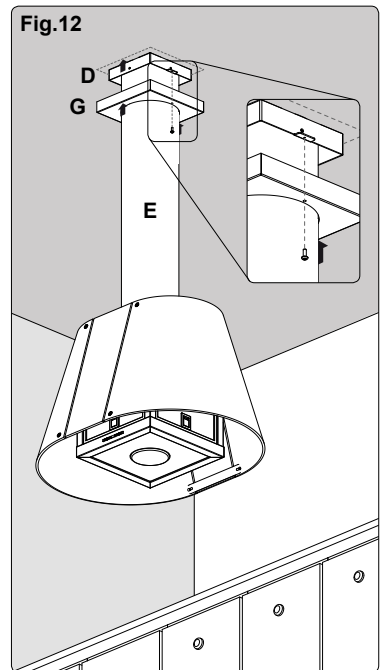
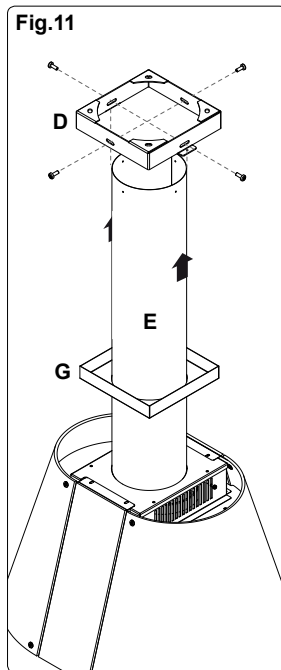
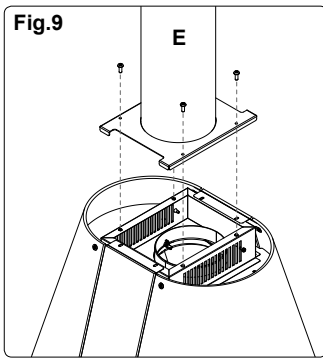
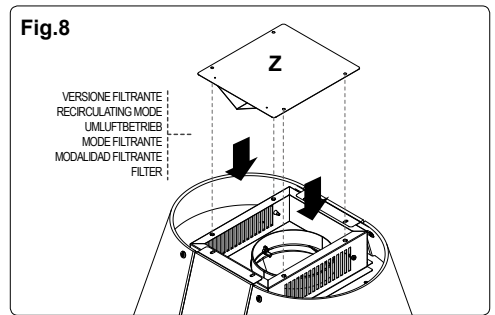
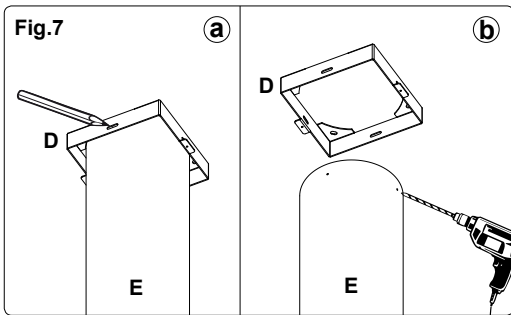
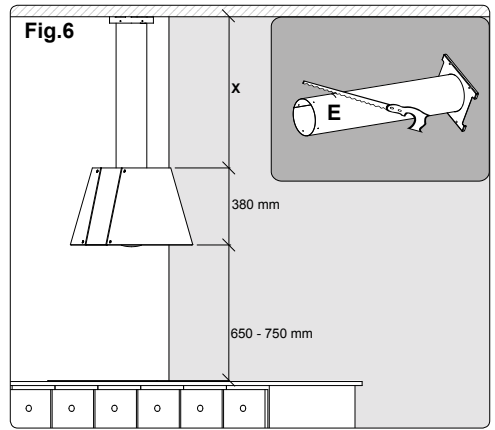
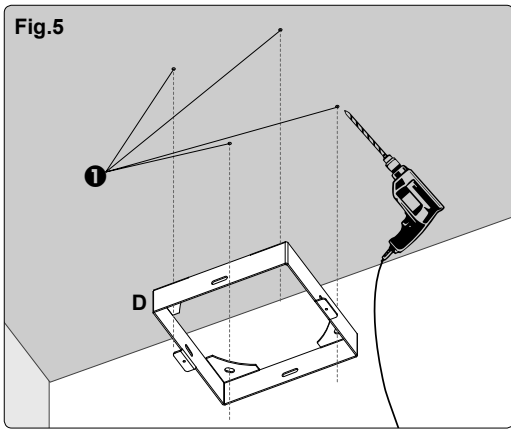


Fig.4





Carefully read the following important information regarding installation safety and maintenance. Keep this information booklet accessible for further consultations.

### INSTALLING INSTRUCTIONS

This hood has been arranged to be installed above a cooktop. It can be used in 2 ways:

- **EXHAUST MODE:** the kitchen vapours are purified by the metal anti-grease filters and carried outside through a ducting system.
- **RECIRCULATING MODE:** the kitchen vapours are purified by the metal anti-grease filters and an activated carbon filter (sold separately), then conveyed back into the kitchen.  
In order to transform your cooker hood from the exhaust version to the recirculating version, ask your local retailer for the **recirculating kit** and then carry out the enclosed installing instructions.

**We suggest to have installation carried out by qualified personnel, in compliance with all the current regulations and in particular with the ones concerning air exhaust and electrical connection.**

**The manufacturer cannot be held liable for damages caused by improper installation or if it has not been carried out according to the state-of-the-art.**

### SAFETY

- The appliance must be installed at a minimum height of 650 mm from an electric cooker stove, or 750 mm from gas or combined cooker stoves (Fig. 6).
- If a connection tube composed of two parts is used, the upper part must be placed outside the lower part.
- Do not connect the cooker hood exhaust to the same conductor used to circulate hot air or for evacuating fumes from other appliances generated by other than an electrical source.
- Take care when the cooker hood is operating simultaneously with an open fireplace or burner that depend on the air in the environment and are supplied by other than electrical energy, as the cooker hood removes the air from the environment which a burner or fireplace need for combustion.
- The negative pressure in the environment must not exceed 4 Pa ( $4 \times 10^{-5}$  bar).
- Provide adequate ventilation in the environment for a safe operation of the cooker hood.
- Follow the local laws applicable for external air evacuation.

### INSTALLATION

#### Components > see Fig.4

Use screws and screw anchors suitable for wall (e.g. reinforced cement, plasterboard) for the mounting of the cooker hood. Where screws and screw anchors are supplied ensure that they are suitable for the type of wall where the cooker hood is to be mounted.

### ASSEMBLING THE COOKER HOOD

- Drill the holes **1** (Fig.5) for fixing the cooker hood to the ceiling.
- Cut the exhaust tube **E** with a suitable tool. The length of the tube has to correspond to the **X** measure as shown on figure n.6.
- Apply the fixing clamp **D** on the tube **E** and mark the position for the drillholes (Fig.7a). **The position of the support clamp D in respect to the tube E has to be the same which is shown on fig. 3.**
- Drill a hole of  $\varnothing$  2 mm on the exhaust tube **E** (Fig.7b).
- Position the air deviator **Z** on the body of the hood (Fig.8). **Carry out the above operation only for recirculating mode.**
- Fix the exhaust tube **E** to the body of the hood using four screws from the accessories bag **H** (Fig.9).
- Affix the fixing clamp **D** to the ceiling via the holes **1** using the 4 long screws provided (Fig.10).
- Insert the lid **G** on the exhaust tube **E**.  
Lift up the hood inserting the tube **E** on the fixing clamp **D**. Fix the tube to the clamp using 4 screws. (Fig.11)
- Lift up the lid **G** and fix it to the clamp **D** using 2 screws (Fig.12).

### ELECTRICAL CONNECTION

The appliance has been manufactured as a class II, therefore no earth cable is necessary.

The connection to the mains is carried out as follows:

**BROWN** = L line                      **BLUE** = N neutral

If not provided, connect a plug for the electrical load indicated on the description label. Where a plug is provided, the cooker hood must be installed in order that the plug is easily accessible.

An omnipolar switch with a minimum aperture of 3 mm between contacts, in line with the electrical load and local standards, must be placed between the appliance and the network in the case of direct connection to the electrical network.

### OPERATING CHECKS

Check lights and motor start-up on all speeds.

## USE INSTRUCTIONS

### CONTROL PANEL (Fig.1)

- \* - Light ON/OFF
- ← - Switch on at 4th speed (maximum)  
Speed reduction from 4th to 1st speed then switch-off
- - Display - shows the set speed (from 1 to 4)
- ➔ - Switch on at 1st speed (minimum). Intake increase from 1st to 4th speed, then switch-off.
- ⌚ - Timer - Activation of the auto switch-off timer (10 minutes).

Remote Control (Fig.1) optional

### CLEANING AND MAINTENANCE

It is recommended to switch on the appliance before cooking. It is also recommended to leave the appliance in operation for 10 minutes after cooking is terminated in order to completely eliminate cooking vapours and odours. The proper function of the cooker hood is conditioned by the regularity of the maintenance operations, in particular, the active carbon filter. Clean the fan and other surfaces of the cooker hood regularly using a cloth moistened with denatured alcohol or non abrasive liquid detergent.

**WARNING: unplug the appliance or switch off the circuit breaker before carrying out maintenance operations.**

### METAL ANTI-GREASE FILTERS (Fig.4M)

The **metal anti-grease filters** capture the grease particles of the vapours that develop during cooking, therefore they are subject to clogging according to the frequency of the use of the appliance.

In order to prevent fire hazard, it is recommendable to clean the filter every 2 months by carrying out the following instructions:

- Remove the filters from the cooker hood and wash them in a solution of water and neutral liquid detergent, leaving to soak.
- Rinse thoroughly with warm water and leave to dry.

The filters may also be washed in a dishwasher. The aluminium panels may alter in colour after several washes. This is not cause for customer complaint nor replacement of panels.

### ACTIVATED CARBON FILTERS (Fig.4L)

The **activated carbon filters** purify the kitchen vapours, the air is then conveyed back into the kitchen. The saturation of the active carbon filter depends on the frequency of use of the appliance, by the type of cooking and the regularity of cleaning the anti-grease filters.

The filters are not washable nor re-useable and must be replaced at maximum every four months.

To assemble the carbon filter it is necessary to:

- remove the metal anti-grease filters (Fig.4M)
- rotate the 2 carbon filters to remove them (Fig.2)

### LIGHTING

In order to change the mounted lamps:

- rotate the light unit anti-clockwise;
- remove the light unit;
- Replace the lamp with one that has the same features because one with major power may cause severe damage to the electrical system.

### SAFETY INSTRUCTIONS

**In certain circumstances electrical appliances may be a danger hazard.**

- The hood has been designed to remove the kitchen smells; any other additional use shall be regarded as non-intended.
- Aerate the room if other appliances that are not supplied by electrical power are being used while the hood is on.
- Do not leave the cooker on if it is not being used.
- Do not flambé food directly under the cooker hood to prevent the grease filter catching fire due to flames.
- Constantly check food frying to avoid that the overheated oil may become a fire hazard.
- Do not check the status of the filters while the cooker hood is operating.
- Do not touch the light bulbs after appliance use.

### DISPOSAL OF OLD ELECTRICAL APPLIANCES



The European Directive 2002/96/EC on Waste Electrical and Electronic Equipment (WEEE), requires that old household electrical appliances must not be disposed of in the normal unsorted municipal waste stream. Old appliances must be collected separately in order to optimise the recovery and recycling of the materials they contain and reduce the impact on human health and the environment.

The crossed-out dustbin symbol on the product reminds you of your obligation regarding separated waste collection. Consumers should contact their local public service or their local dealer for more information on the correct disposal of exhausted household appliances.

**THE MANUFACTURER DECLINES ALL RESPONSIBILITY FOR EVENTUAL DAMAGES CAUSED BY BREAKING THE ABOVE WARNINGS. THE WARRANTY IS NOT VALID IN THE CASE OF DAMAGE CAUSED BY FAILURE TO COMPLY WITH THE ABOVE WARNINGS.**

# Remote control setup

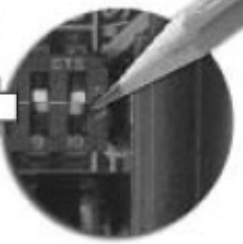


English: Open



**ON**

English: Setup to "ON" the switch n°10

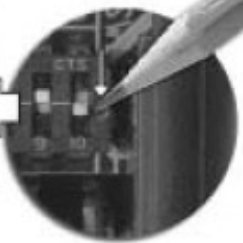


English: Direct the remote control for the cooker hoods.  
Press for 3 second the key "A".



**OFF**

English: Setup to "OFF" the switch n°10



English: Close