



WDU075

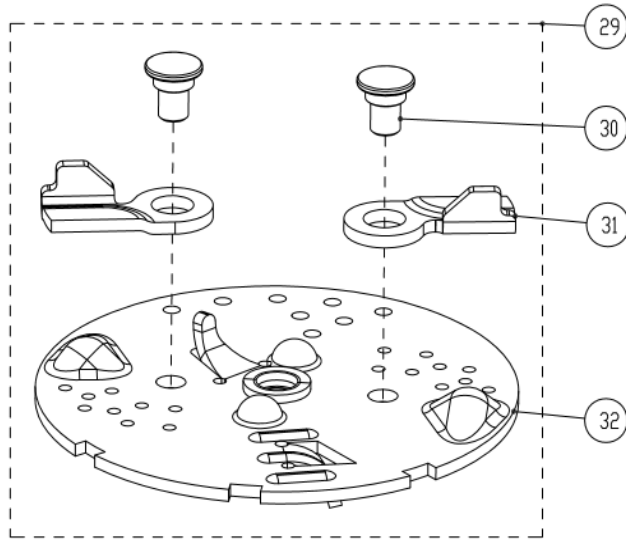
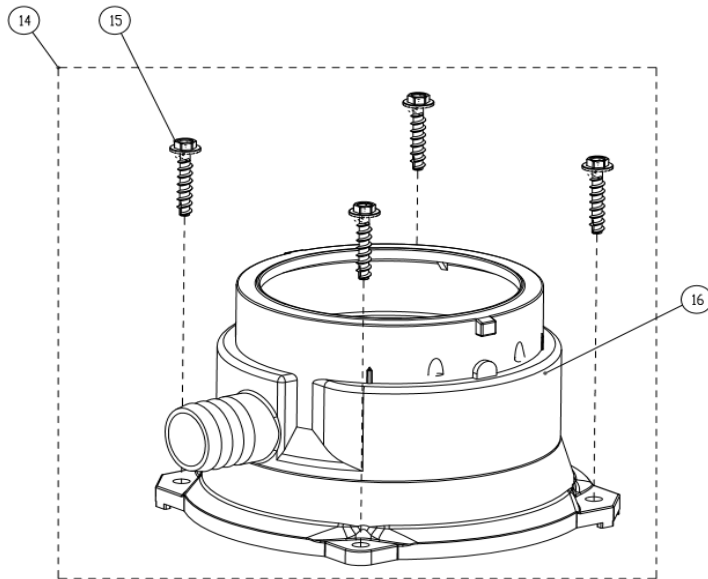
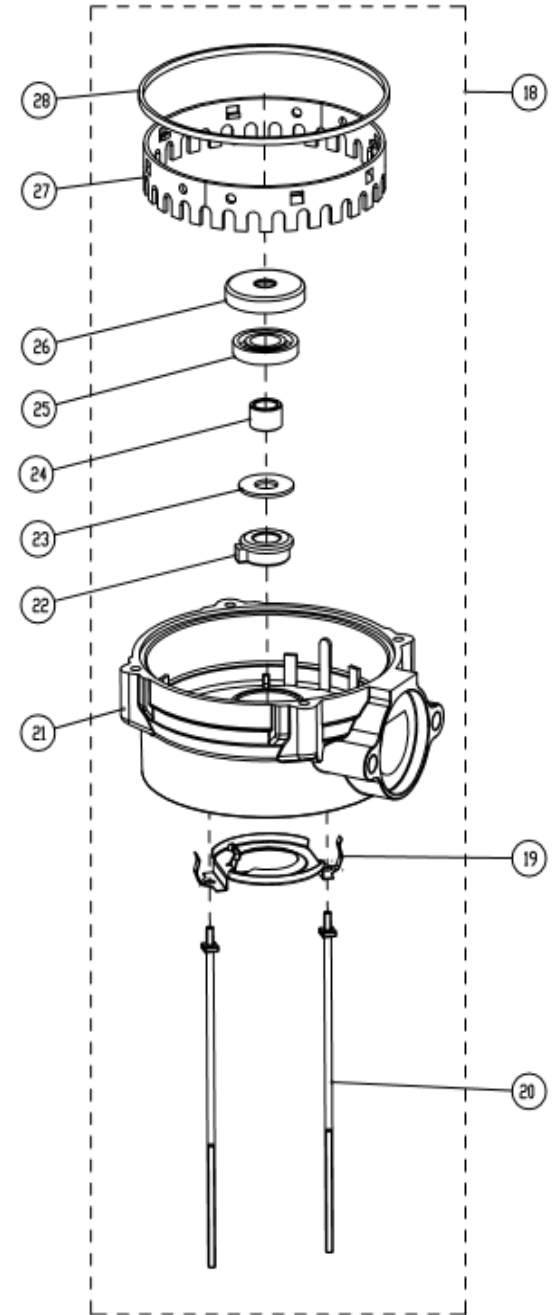
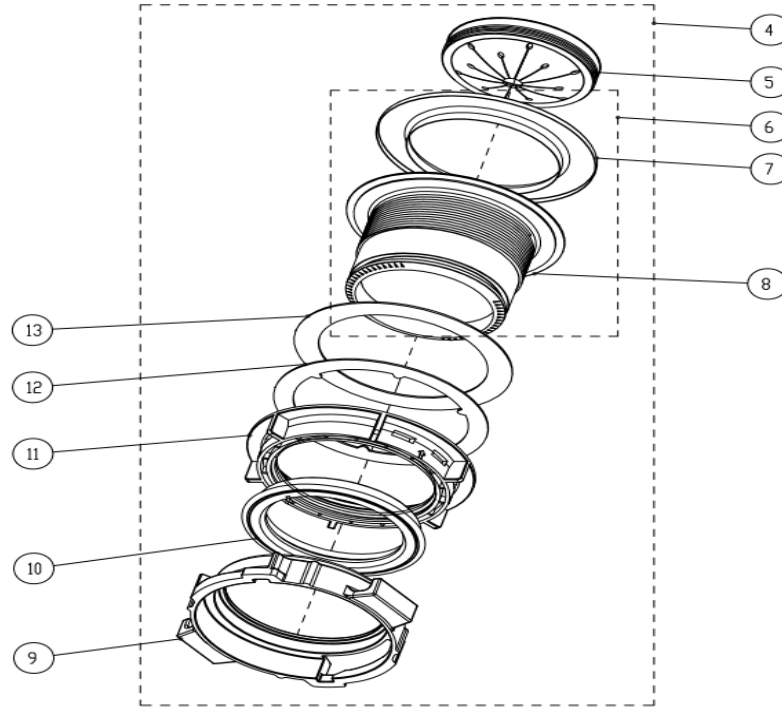
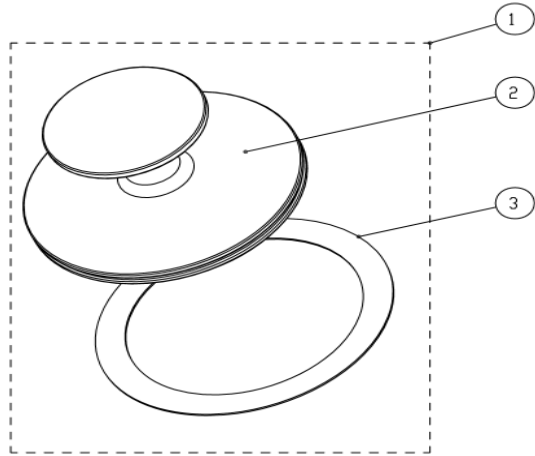
Caple Waste Disposal Unit



Technical information

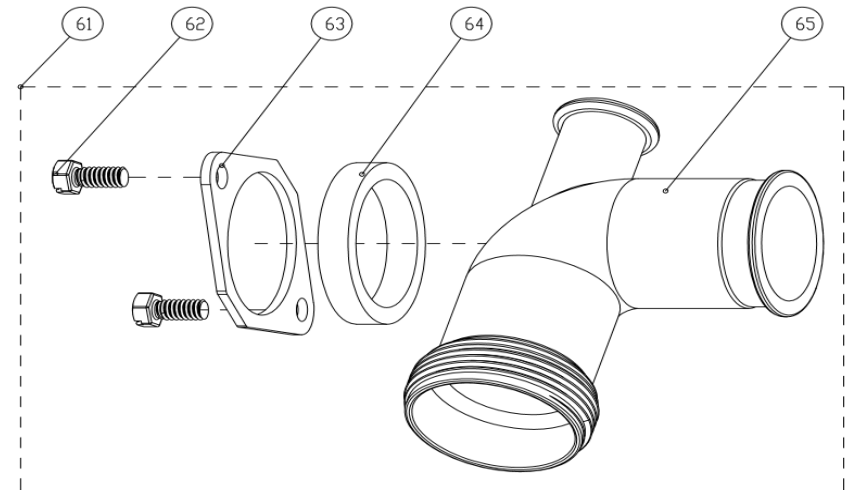
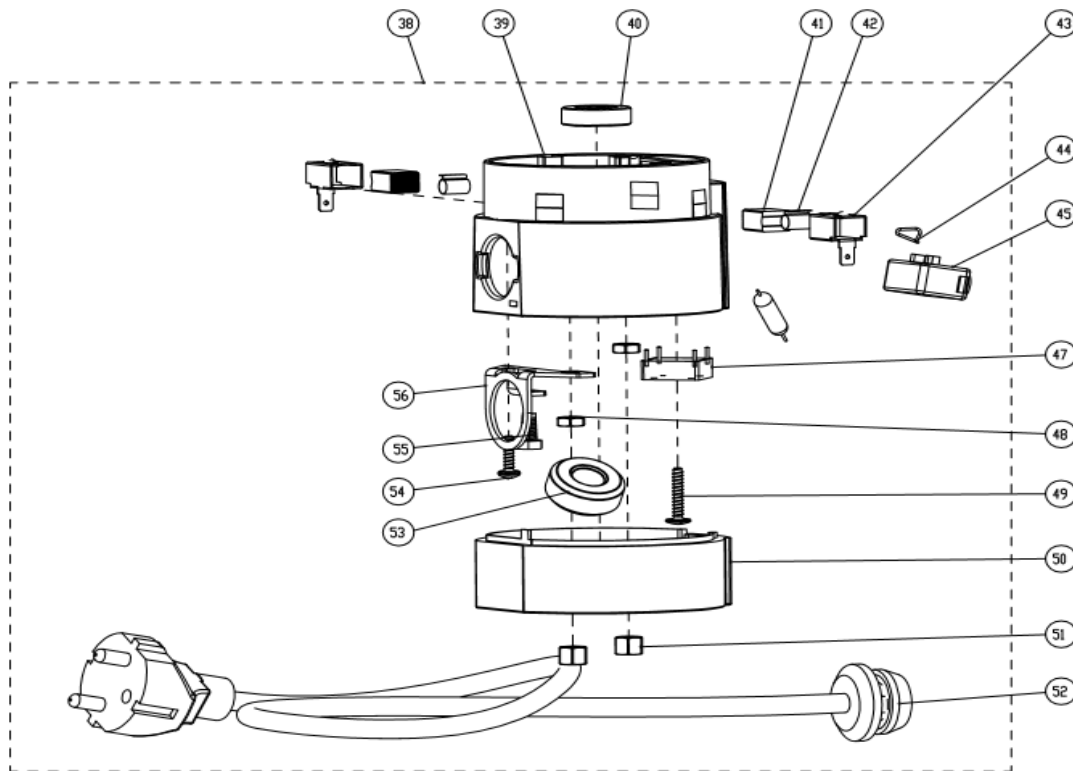
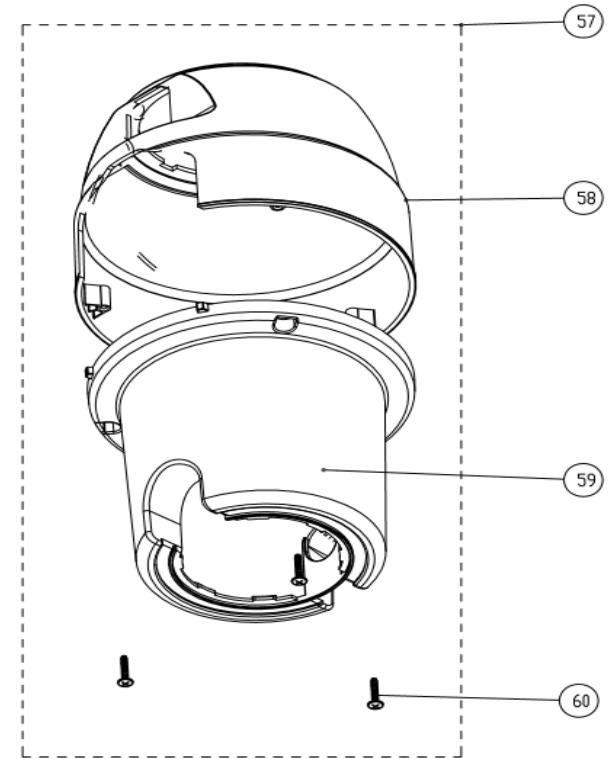
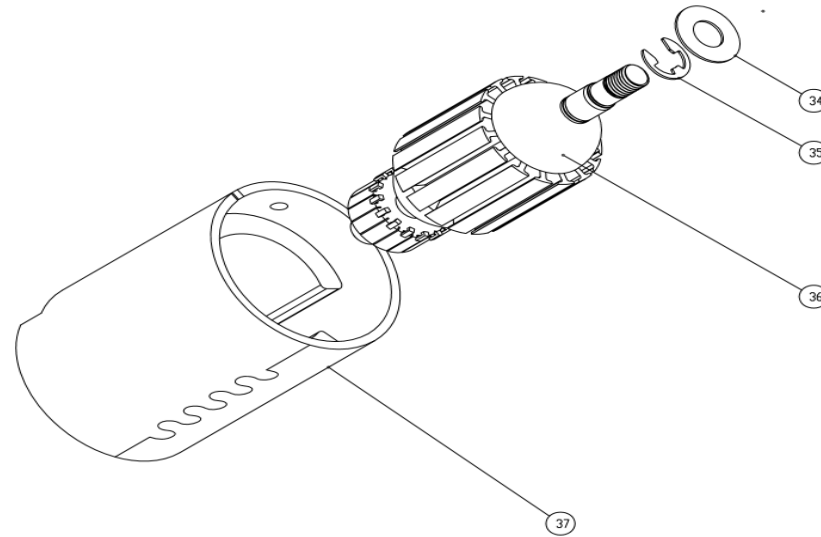


Caple – WDU075 Waste Disposal Unit





Caple – WDU075 Waste Disposal Unit





Caple – WDU075 Waste Disposal Unit

Item	Part No.	Description	Qty
1	12154100000095	Stopper ASM	1
2	12154100000046	Stopper	1
3	12654100000031	Stopper seal ring	1
4	12154100000119	Flange Asm	1
5	12654100000032	Splash Guard	1
6	12954100000004	Sink Flange Asm	1
8	12154100000050	Flange	1
9	12954100000008	Mount Ring	1
10	12654100000030	Cushion Mount	1
11	12154100000051	Support Ring	1
12	12154100000057	Flange Fibre Gasket	1
13	12654100000029	Sink Flange Rubber Gasket	1
14	12154100000091	Up Grinding Chamber ASM	1
15	11303102000009	Grinding Chamber Screw	6
16	12154100000042	Upper Grinding Chamber	1
18	12154100000086	DW Discharge Inlet Plug	1
19	12254100000004	Lower Grinding Chamber ASM	1
20	11301902000040	Asphalt Felt Mud Cover	2
21	12154100000043	Motor Long screw 168	1
22	12954100000014	BEARING NEEDLE	1
23	12954100000011	Metal Ring (Grinding Chamber)	1
24	12954100000018	Bushings	1
25	12654100000034	Seal	1
26	12254100000006	Shaft Cover	1
27	12254100000012	Grinding ring	1
28	12654100000021	Waterproof ring	1
29	12954100000041	Turntable Asm	1
30	11302402000002	Rivet	2
31	12254100000014	Reamer	2
32	12254100000018	Turntable	1
34	12954100000010	Metal Ring(Shaft Ring)	1
35+36+37	11002016000006	Brush DC motor	1
38	12154100000077	Bottom ASM	1
39	12154100000054	Bottom Plate	1
40	12954100000015	BEARING NEEDLE	1
41	17454100000025	Brush	2
42	12954100000023	SPRING	2
43	12254100000002	bracket	2
44	12254000000105	SWITCH SPRING LEAF	1
45	17454100000020	Protector	1



Caple – WDU075 Waste Disposal Unit

Item	Part No.	Description	Qty
47	17454100000002	Rectifier bridge	1
48	11301512000164	Screw Nut(3.2)	2
49	11303125000126	Cooling Plate Screw	1
50	12154100000056	Bottom Plate(including filter)	1
51	11301609000034	Screw Nut(6.5)	2
52	17454100000013	power cord	1
53	17454100000073	ring	1
54	11303125000271	Tension Plate	1
55	11301226000070	Grounding Screw	1
56	12254100000001	bracket	1
57	12154100000111	Shell ASM	1
58	12154100000025	shell	1
59	12154100000037	shell	1
60	11303125000126	Shell Screw	3
61	12154100000021	Accessories	1
62	11301207000042	Drainpipe Screw	2
63	12254100000005	Drainpipe Plate	1
64	12654100000024	Drainpipe Seal Ring	1
65	12154000000035	Drainpipe	1



Wiring diagram for Caple Waste Disposal Units

220~240V/50HZ

