



C2512

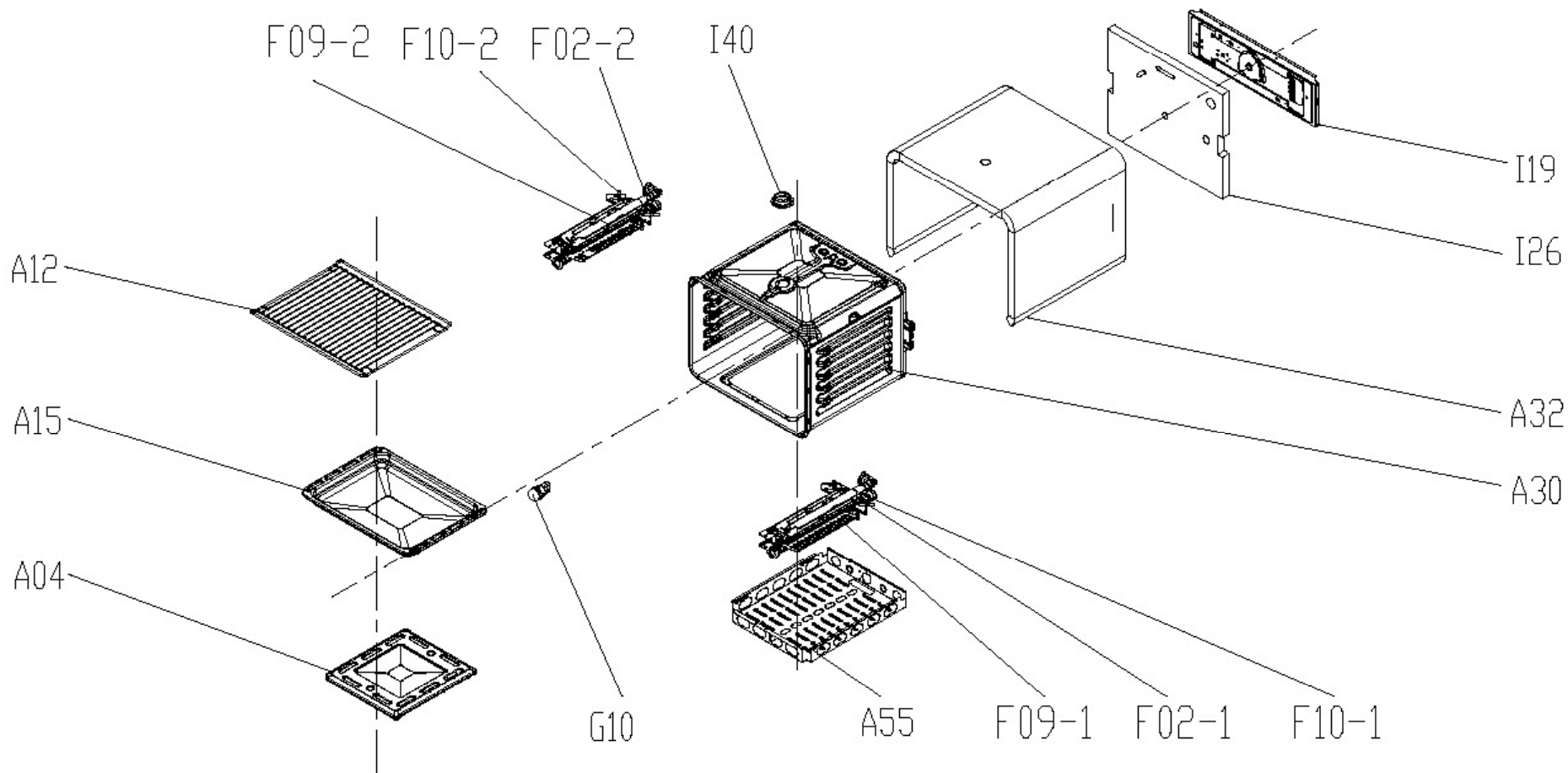
Caple single gas oven

Technical information



C2512

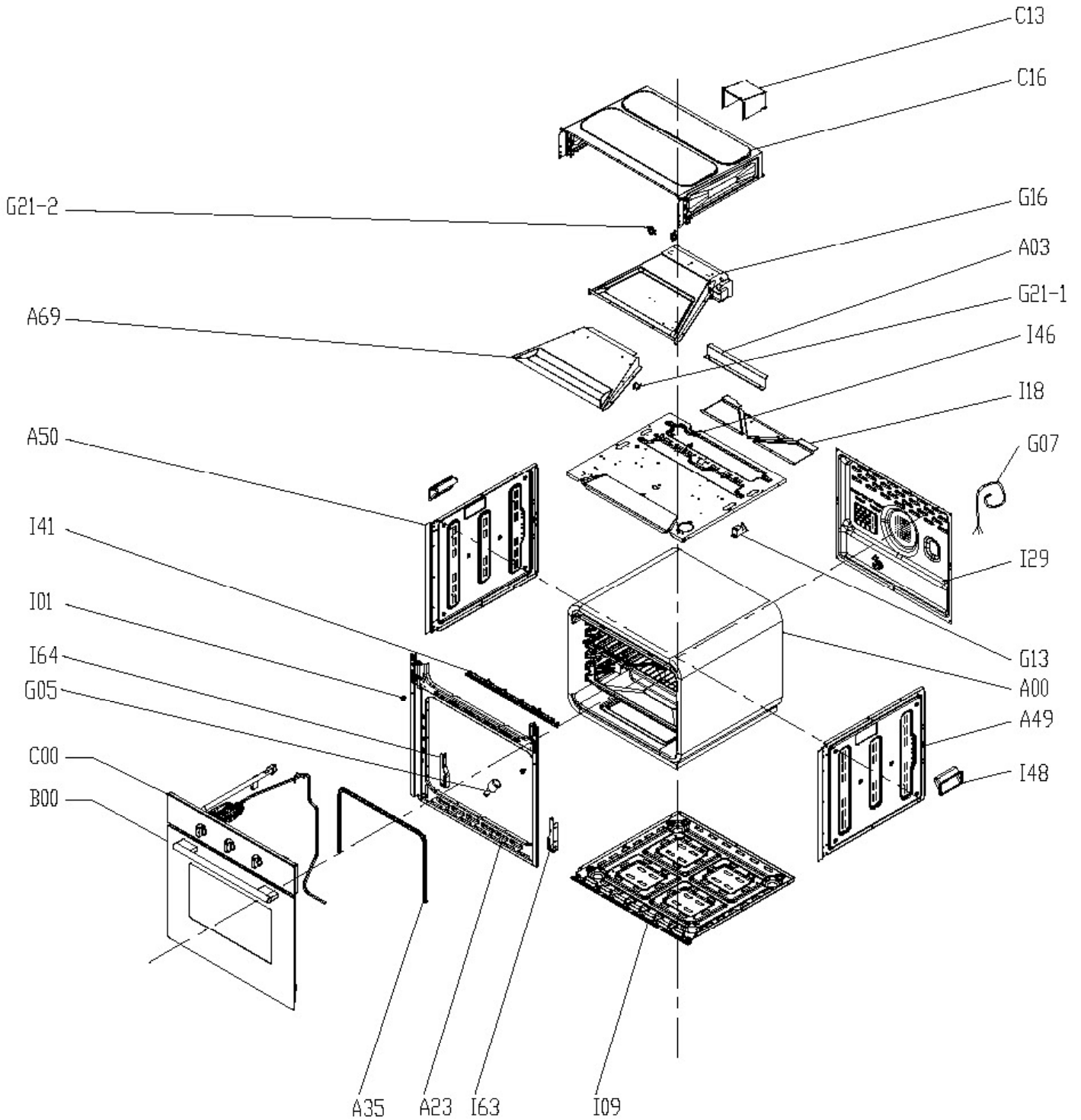
Caple single gas oven





C2512

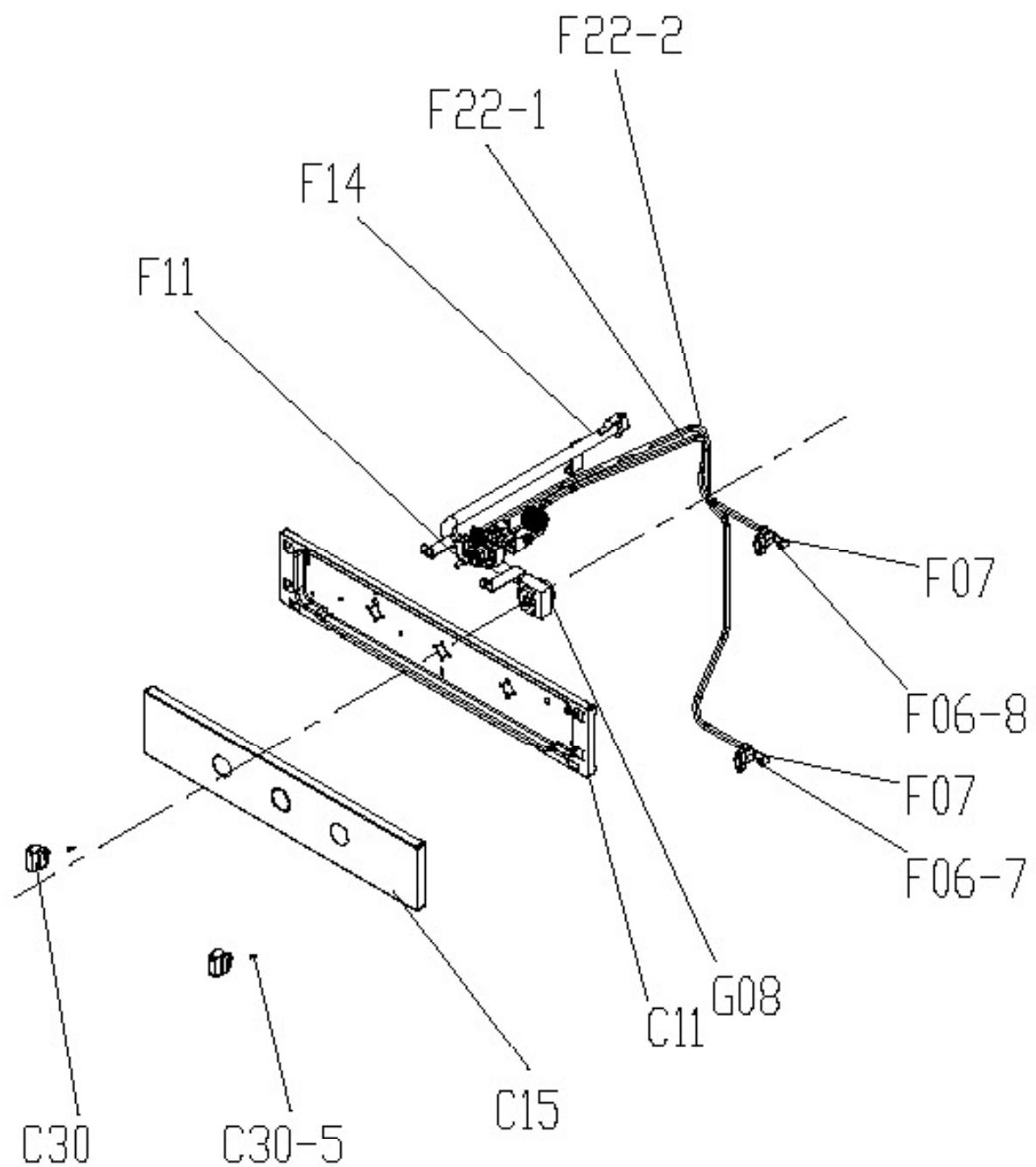
Caple single gas oven





C2512

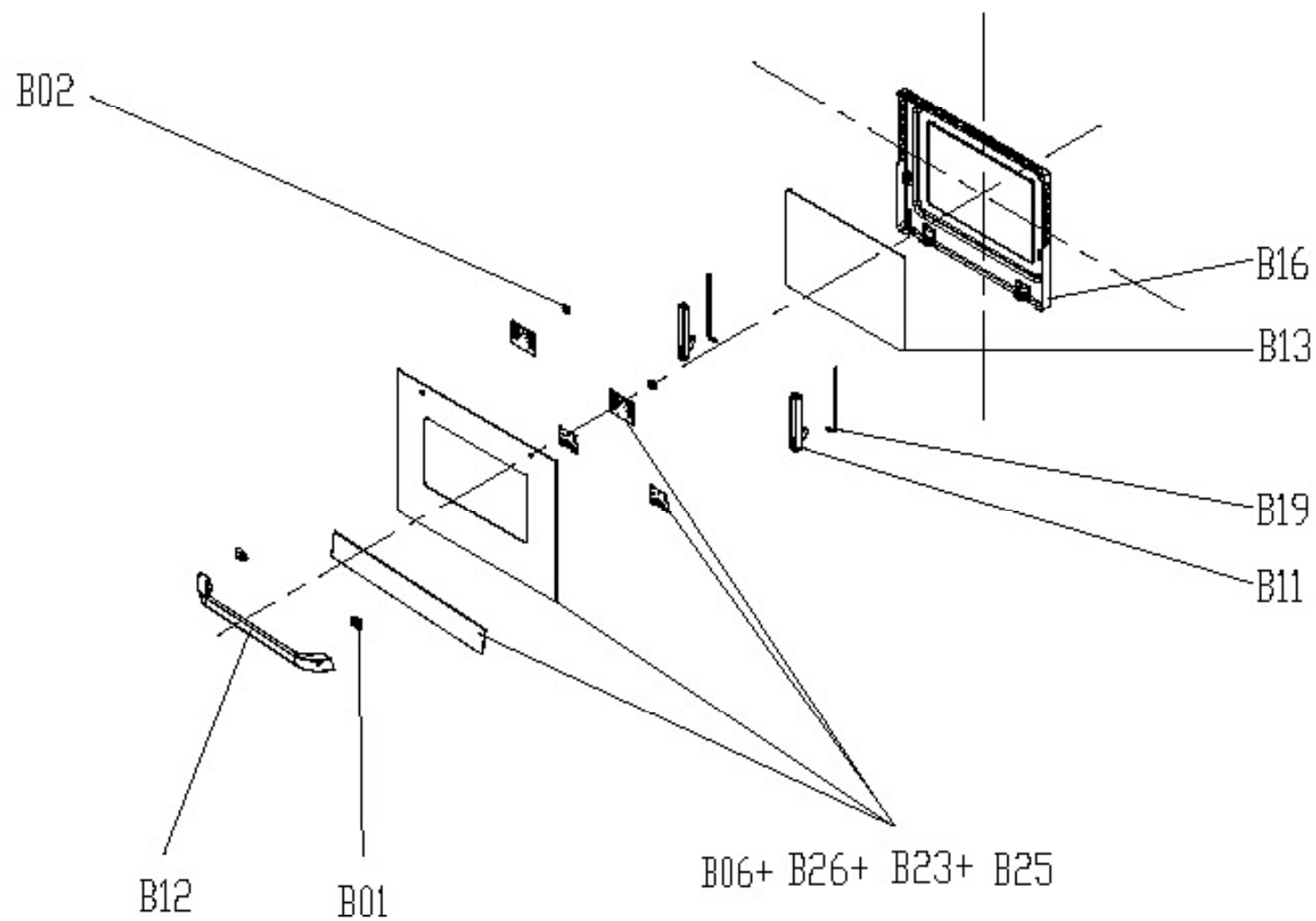
Caple single gas oven





C2512

Caple single gas oven





C2512

Caple Single Gas Oven

Item	Part Number	Description	Additional Info	Quantity
A03	12271100000386	dam-board		1
A23	12271100001485	front plate		1
A35	12671100000048	cavity sealing ring		1
A49	12271100002372	Enclose (Right)		1
A50	12271100002382	Enclose (Left)		1
A69	12971100001025	ventilation cover inlet		1
B00	12971100A47271A	door assembly		1
C00	see below expansion	control panel assembly		1
C13	12271100000530	control panel back cover		1
C16	12271100000535	control panel cover		1
G05	17471100000325	ignition lock		1
G07	17471100000108	power cord		1
G13	17471100000192	pulse ignition		1
G16	17471100000140	cooling fan motor		1
G21-1	17471100000221	thermostat 70°C		1
G21-2	17471100000217	thermostat 125°C		2
G22	17471100000521	wire assembly		1
I01	12971100001049	fastener assembly		1
I09	12271100000449	Following enclose		1
I18	12971100001026	Insulation board		1
I29	12271100002355	back cover		1
I41	12171100000280	exhaust seat		1
I46	12271100002350	top cover		1
I48	12171100000295	handle box		2
I63	12971100000470	hinge fixed frame (Right)		1
I64	12971100000534	hinge fixed frame (Left)		1
A00	\	cavity assembly		
A04	12271100003015	drip pan		1
A12	12971100000628	bake rack		1
A12-1	12971100000644	bake tray rack		1
A15	12271100003072	bake tray		1
A30	12271100001759	cavity		1
A32	12471100000038	Cavity insulation		1



C2512

Caple Single Gas Oven

Item	Part Number	Description	Additional Info	Quantity
A55	12971100001042	under burner cover		1
D13	12971100000563	Rail bracket(Right)		1
D14	12971100000500	Rail bracket(Left)		1
F02-1	12971100001249	ignition needle (oven)		1
F02-2	12971100001243	ignition needle (grill)		1
F09-1	12971100001690	burner (oven)		1
F09-2	12971100001693	burner (grill)		1
F10-1	12971100001705	thermocouple (oven)		1
F10-2	12971100001708	thermocouple (grill)		1
G10	17471100000288	lamp		1
I19	12271100003042	insulation cover		1
I26	12471100000039	back insulation		1
I40	12271100003101	exhaust pipe		1
B00	293600108156	door assembly		
B02	12171100000172	handle support		2
B11	12971100000889	door hinge assembly		2
B12	12971100A08847	door handle		1
B13	12971100A20635	door inner glass	Inner door assembly	1
B16		door frame assembly		1
B19	12671100000069	Door sealing ring		2
B23	12971100006701	door frame bracket (Front)		1
B06	12971100A20634	door decoration	Outer door assembly	1
B25		door frame bracket (Left)		2
B26		door outer glass		1
C00	12971100A20607	control panel assembly		
C11	12271100000501	control panel holder		1
C15	12271100A03902	control panel decoration		1
C30	12971100006925	knob assembly		2
F06-7	12971100001497	injector Φ 1.00		1
F06-8	12971100001521	injector Φ 0.93		1
F07	12971100001574	nozzle block		2
F11	12971100001758	temperature controller valve		1
F14	12971100001194	main gas tube		1
F22-1	12971100000741	gas tube assembly A		1
F22-2	12971100000729	gas tube assembly B		1
G08	17471100000312	timer		1