



CM2400

Caple Built-in microwave & grill

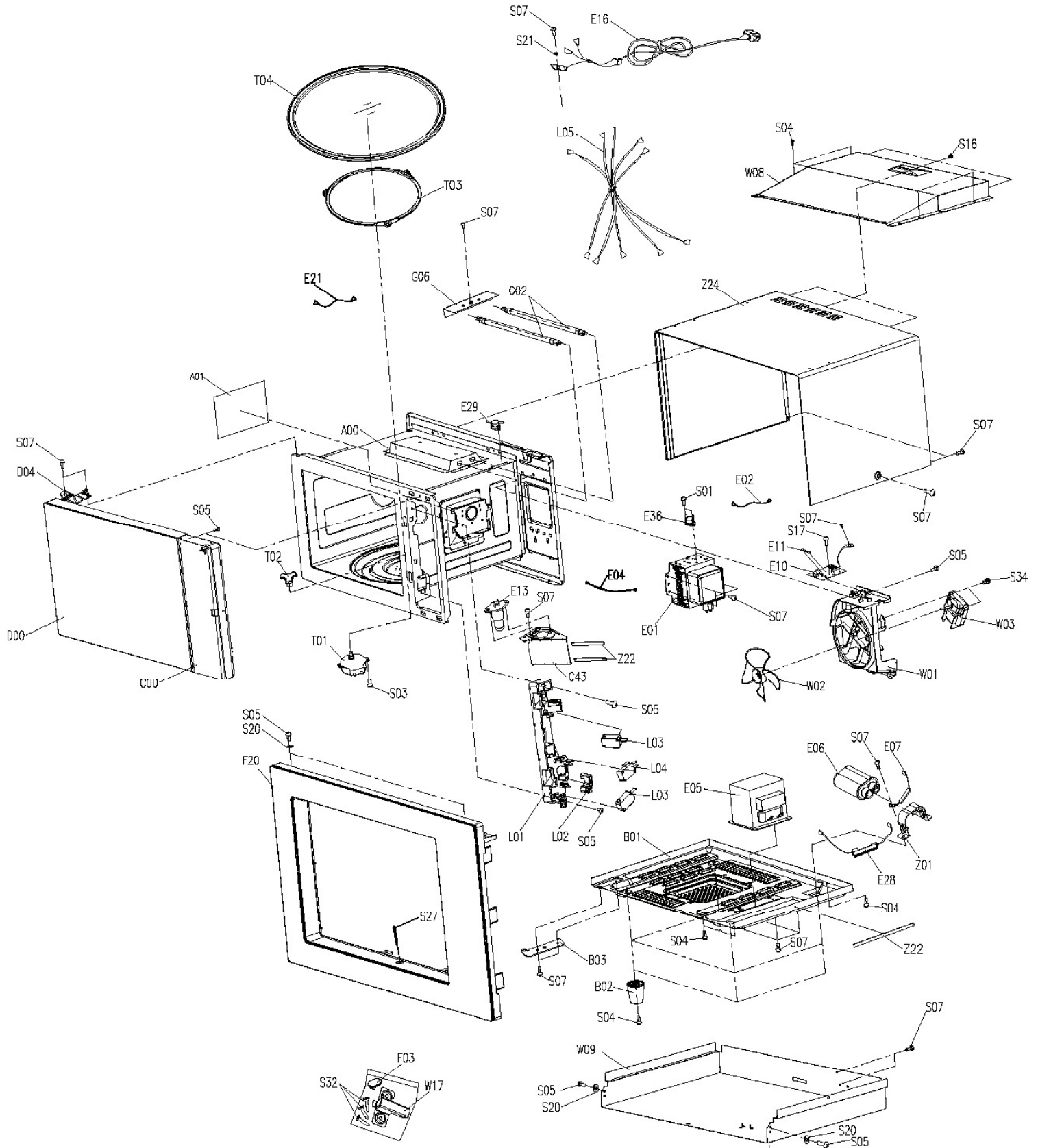


Technical information



CM2400

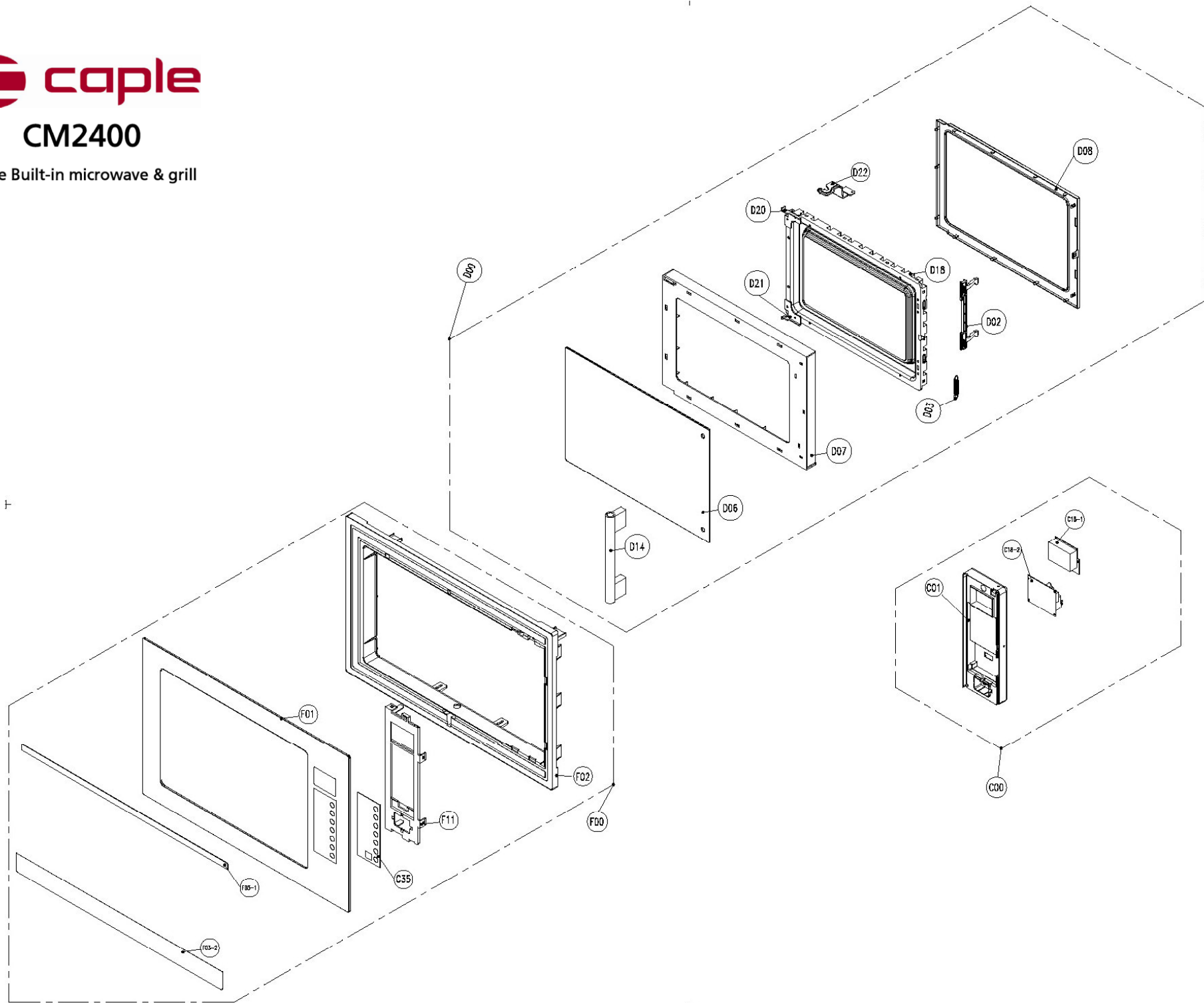
Capele Built-in microwave & grill





CM2400

Cable Built-in microwave & grill





CM2400 - Caple combi microwave & grill

Item	Part Code	Description	Qty
D08	256300600075	Microwave door sealed E28L black	1
D02	251300500047	Latch A28L POM antifliming level HB black for push door ZHONGGUO	1
D04	261502401000	Ass'y brkt hinge*T B25L SGCC T=2.5 GUOJI	1
D03	252010000012	Spring latch for 25L push door 's model, use together with X130050017	1
D01	MM251500210070	ASS'Y DOOR FRAME	1
D07	261300124403	PANEL DOOR B25L VI without hole LG ABS+PC GN-5007FM injection black	1
C01	MM261300279500	Control panel B25L 8A touch control way ABS 121H injection black01	1
	253601000821	Screw ass'y B25L for grill & built-in	1
Z24	261502606813	Microwave cover E25L built-in SGCC T=0.5	1
A00	251500100244	Microwave cavity Assy E25L grill built-in SUS430 wash BSH GUOJI	1
G06	261501000300	Microwave holder of quartz tube A21L/E23L/E25L SGCC 0.5	1
	261511705802	Grill rack E25L SWM-B & Oslash;=2.5 outer diameter 274 height 90 electroplate suit to LFBG/LMBG	1
A01	252100100016	Microwave meca HG23L T=0.35 118*99	1
T04	252100500013	Turntable motor E25L diameter 315mm 1400g YONGXIN Y pan	1
T02	252200100008	Coupler C23L PPS ZHONGGUO	1
T03	262200200007	Ring Assy A28L PPS outer diameter Φ222 wheel diameterΦ15	1
C43	261503202100	Microwave metal cover of wave guide A28L SGCC T=0.5	1
E13	263600500006	Microwave light T25 240V 25W YURUN MD integration	1
W01+W02+W03	253600400688	Microwave fan assy HG23L normal include350motor 251300800011 fan holder 251300900015fan 080screw	1
W03	261200600350	Microwave fan motor MDT-10CEF WLB2 220-240V welling ZHONGGUO YZ-E6120-M02K WM0102/YZ-E6120-M51 WM0132	1
W01	251300800011	Microwave fan holder C23L PP T30 flaming level HB ZHONGGUO	1
W02	251300900015	Microwave fan C23L PP T31 flaming level HB ZHONGGUO	1
L01	261301301500	Board latch E25L PBTV3020-1010 flaming levelV0 black for pull door	1
L02	261301101000	LEVER SWITCH E25L/A23L/A28L POM black for pull&push door	1
L05	251202800666	HARNESS MAIN EG925B-S00E-H2 2often open 1 transform GUOJI	1
L03	261201600080	Switch LF-10-02 16A 250V T105 open 187terminal YUYANG GUOJI LF-10-02 16A 250V T105 open 187 terminal YUYANG	2
E01	251200100068	Microwave magnetron 2M219J 5pcs Etube 900W WEITE ZHONGGUO	1
E05	251200200355	Microwave H.V transformer MD-903EMR-1 WLC BWL-900E-10A WB0267	1
T01	251200300001	Microwave turntable motor TYJ50-8A7 220-240V HENGXING ZHONGGUO	1
E36	261201300850	THERMOSTAT KSD201 action180 dgree resert145dgree 10A vertical terminal Tianpeng GUOJI	1



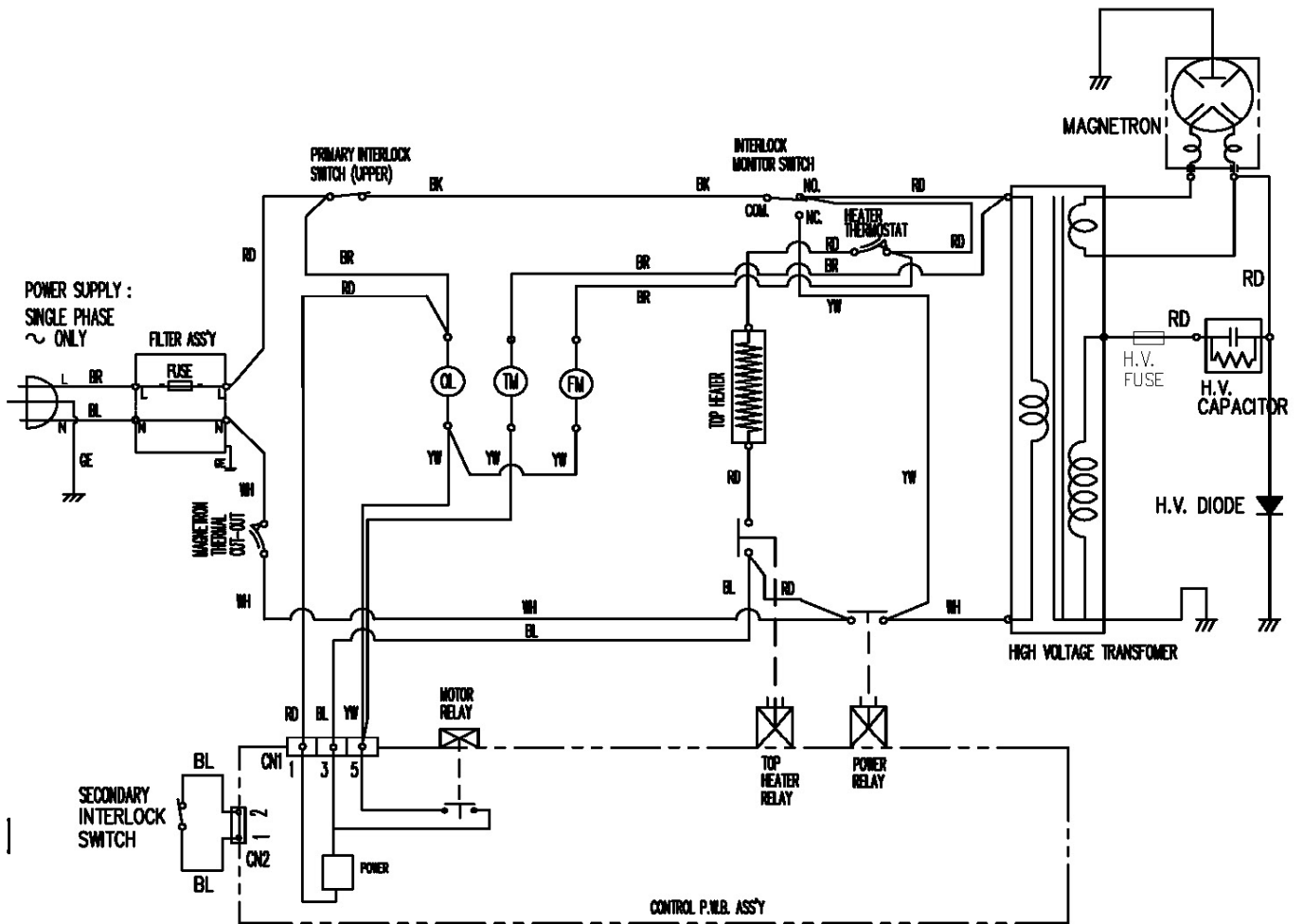
CM2400 - Caple combi microwave & grill

Item	Part Code	Description	Qty
E29	251201300036	THERMOSTAT KSD201 action 70 dgree reset 59dgree 10A level terminal Tianpeng GUOJI	1
E11	261201200030	Fuse RT1-20 H 10A 250V ceramic 5*20 SONGSHAN ZHONGGUO	1
E10	256400301380	Filter MDFLT25A ZHONGGUO	1
G02	251200400025	Microwave quatz heater SH-50E2500 115V 500W 2*187terminal ZHONGGUO	2
E16	256201000454	Power cord BSI42B-112BG BS plug H05RN-F 3*1.00mm ² 1M black Jiangyou ZHONGGUO	1
E06	251200701304	Microwave H.V capacity CH85 1.05uF 2100V BICAI ZHONGGUO	1
E28	251203301548	Microwave H.V fuse GERF- II 800mA 5KV Songshan ZHONGGUO	1
E07	251200900861	Microwave H.V diode CL01-12 12kV 350mA BENXIN GUOJI	1
B03	261502501000	BRKT HINGE *U B25L SGCC T=2.5 GUOJI	1
Z01	261501500300	HOLDER H.V.C A23L SGCC T=0.5	1
B02	251302000013	Oven foot F23L PP T30 injection black01 heighth=30mm	4
D14	261509417700	Metal handle B25L D4 AL 磨砂01 原色 213.6*48.3*20 孔距160	1
D06	262100404873	Glass B25L 9V toughened glass with black silkscreen	1
F11	261317300900	Microwave frame insert B25L 8A ABS 121H injection black01	1
F02	261314202500	Microwave frame insert B25L 8A ABS 121H injection black01	1
C18-1	17170000000440	Microwave display TG(M)LEEXX-02-K-D(1
C18-2	17170000000393	Microwave power PCB TGLEEXX-01-K-P	1
C35	17170000004678	SUB PCB T-8B-C1 SEVEN	1



CM2400

Cable Built-in microwave & grill



[CONDITION]
 DOOR : CLOSED
 COOK : OFF

NOTE :
 (OL) : OVEN LAMP
 (FM) : FAN MOTOR
 (TM) : TRAY MOTOR

BK : BLACK BL : BLUE
 RD : RED BR : BROWN
 WH : WHITE GE : GREEN/YELLOW
 YW : YELLOW