



CM130

Caple Built In Microwave Oven & Grill

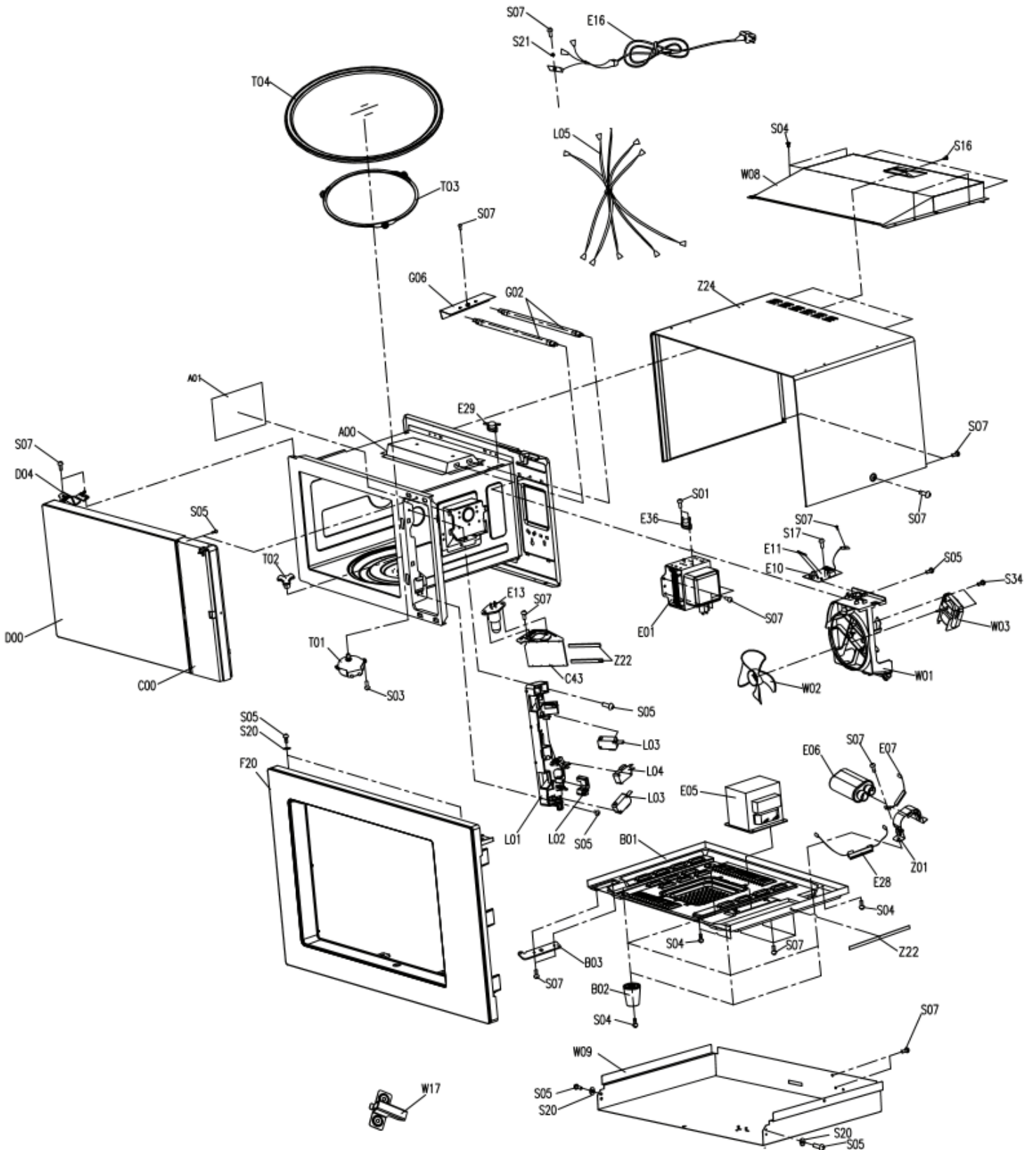


Technical Manual



CM130

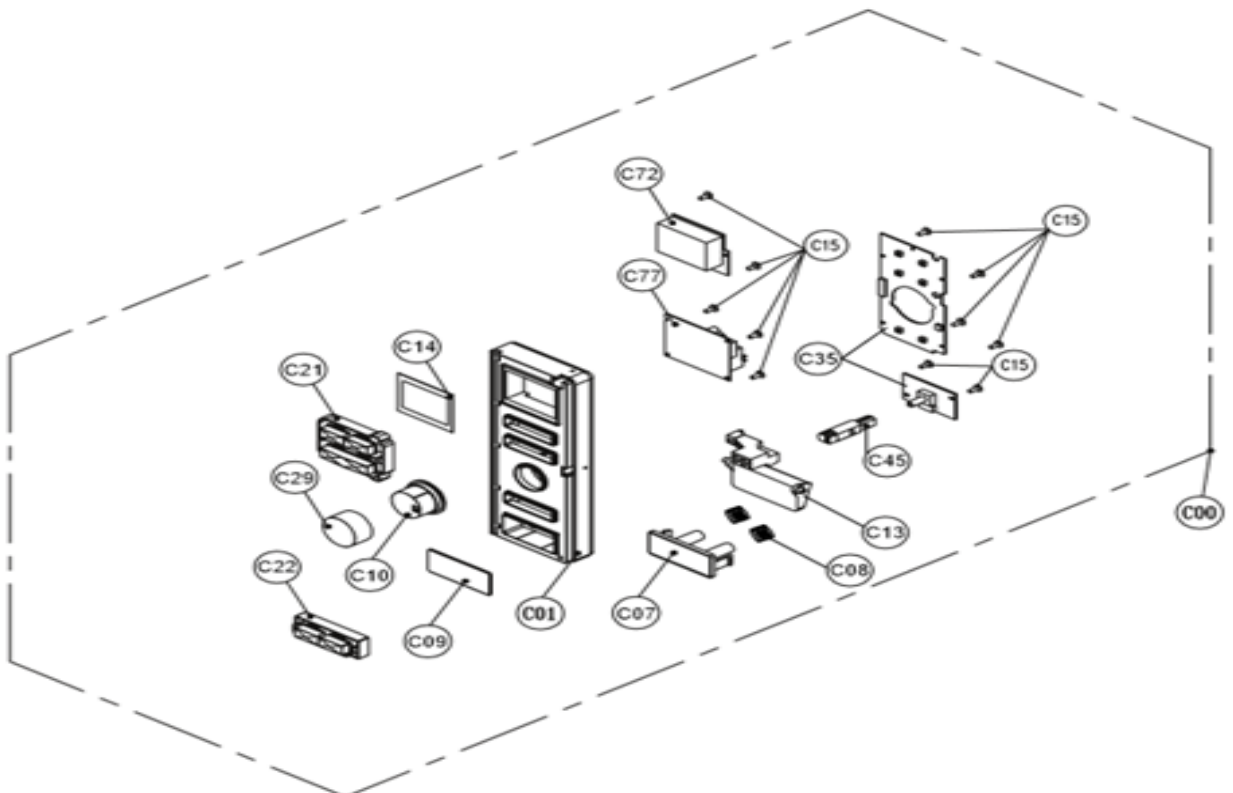
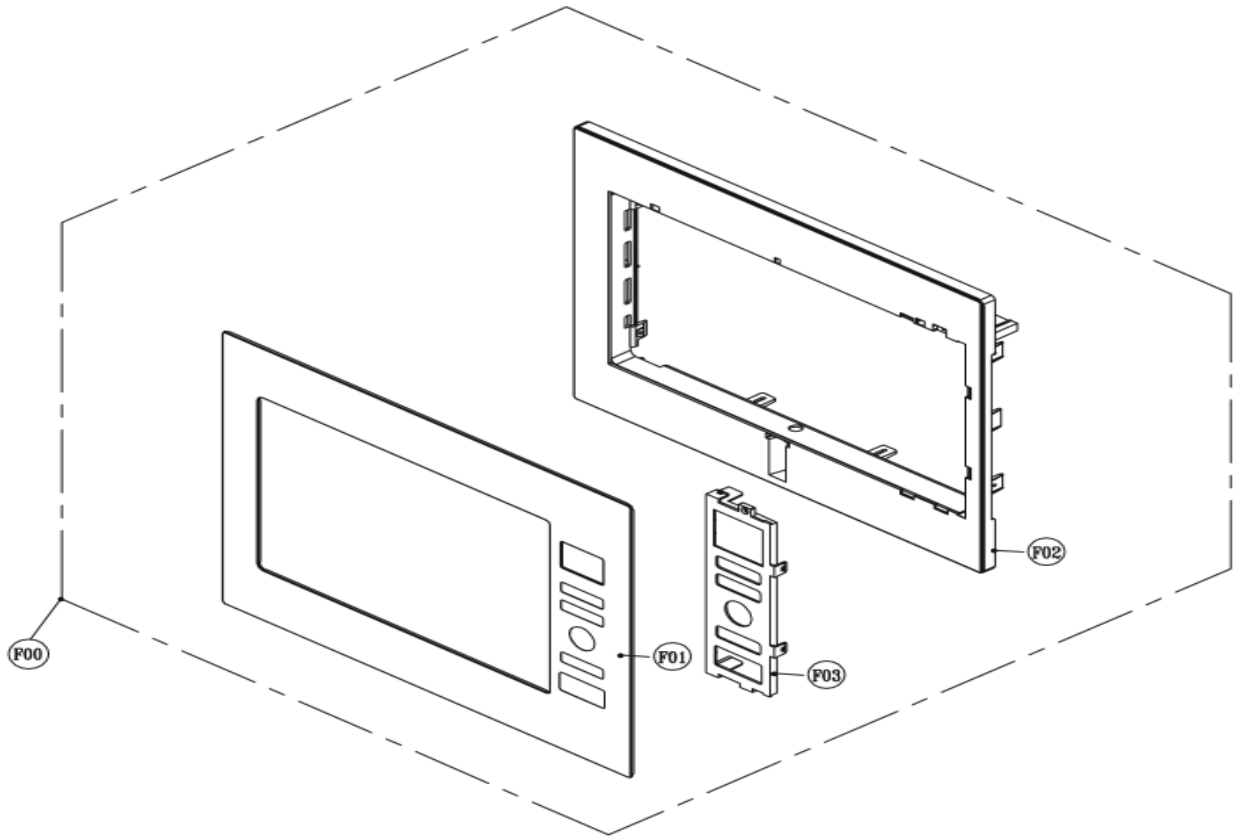
Caple Built In Microwave Oven & Grill





CM130

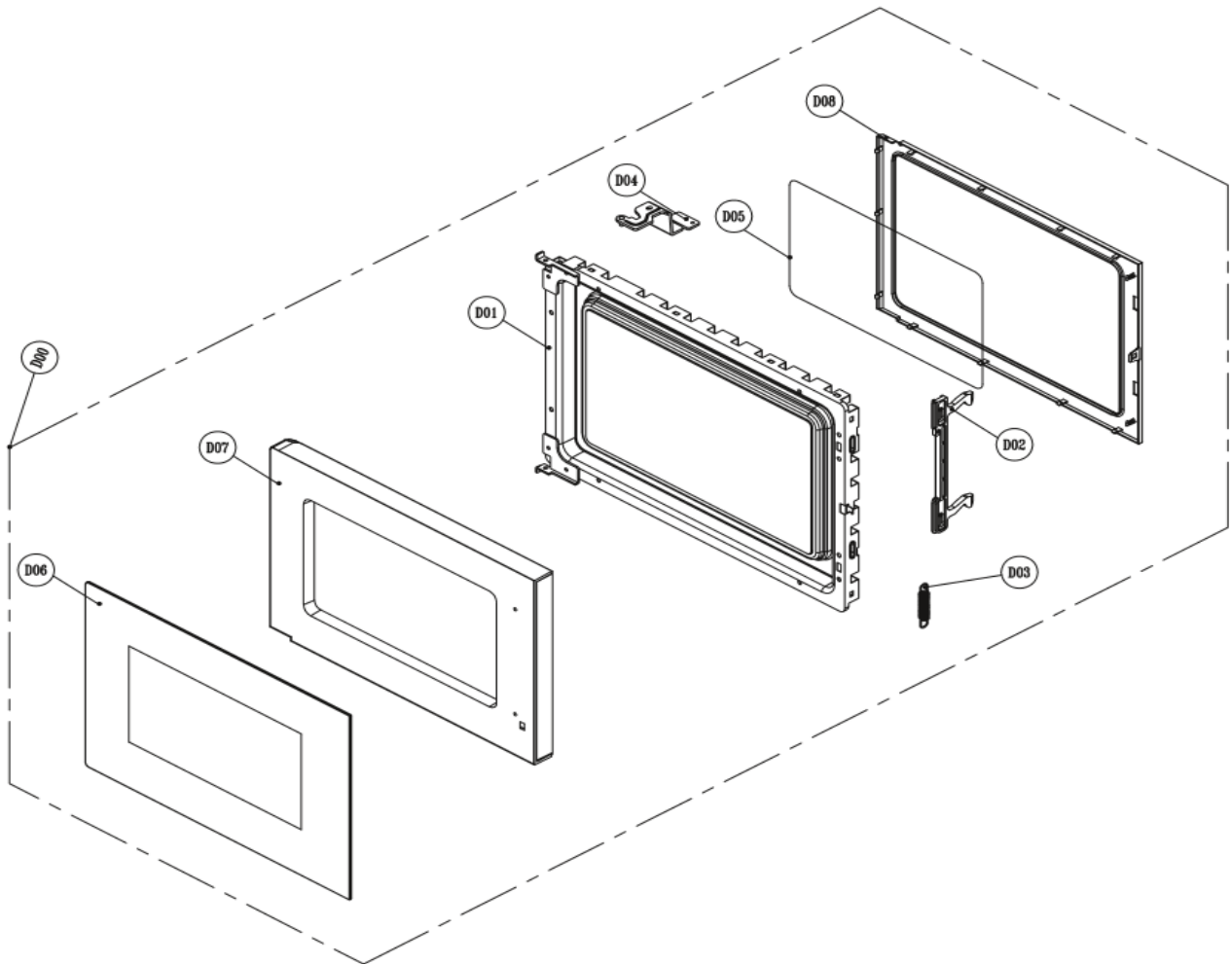
Caple Built In Microwave Oven & Grill





CM130

Caple Built In Microwave Oven & Grill





CM130

Caple Built In Microwave Oven & Grill

Item	Part Number	Description	Qty.
C00	12270000B69471C	Complete Control Assembly	1
C01	12170000001982	Control Panel	1
C07	12170000007285	Door Open Button	1
C08	12970000000400	Spring	2
C09	12270000000611	Button Decoration	1
C10	12170000009156	Dial Knob	1
C13	12170000010328	Door Open Lever	1
C14	16070000001654	Display window	1
C21	12170000008087	Button *Upper	1
C22	12170000008553	Button *Lower	1
C29	12270000000362	Knob Cover	1
C35	17170000004664	SUB PCB	1
C45	12170000003492	Knob Assembly	1
C72	17170000011880	Display Circuit Board	1
C77	17170000011100	Power Circuit Board	1
D00	12270000A89704C	Complete Door Assembly	1
D01	12270000003811	Door Frame	1
D02	12170000003870	Latch	1
D03	12970000000392	Latch Spring	1
D04	12270000006190	Hinge *Upper	1
D05	12170000009519	Door Film	1
D06	12570000000625	Door Screen	1
D07	12170000005198	Door Panel	1
D08	12170000009575	Door Gasket	1
F00	12170000006689F	Complete Frame	1
F01	12270000B48147	Trim Cover	1
F02	12170000006689	Trim Panel	1
F03	12170000003628	Trim Veneer	1
A00	12270000022616	Assy Cavity	1
A01	12570000001036	Splash Cover	1
B01	12270000005090	Base Plate	1
B02	12170000000179	Foot	4
B03	12270000006126	Hinge *Lower	1
E01	17470000000809	Magnetron	1
E05	17470000003517	H.V Transformer	1



CM130

Caple Built In Microwave Oven & Grill

Item	Part Number	Description	Qty.
E07	17470000008946	H.V Diode	1
E10+E11	17170000002983	Assy Noise Filter	1
E13	17470000009104	Lamp	1
C43	12270000000175	Lamp Cover	1
E16	17470000009165	Power Cord	1
E28	17470000009122	H.V Fuse	1
E29	17470000009163	Thermostat 70/59°C *H	1
E35	17470000001486	Thermostat 180/145°C *V	1
G02	17470000001105	Quartz Heater	2
G06	12270000008094	Quartz Heater Bracket	1
L01	12170000003384	Latch Board	1
L02	12170000007318	Interlock Lever	1
L03	17470000008423	Micro switch Interlock	2
L04	17470000008425	Micro switch Monitor	1
L05	17470000001139	Main Wire Harness	1
T01	11002014000037	Turntable Motor	1
T02	12170000000424	Coupler	1
T03	12170000004310	Ass'Y Ring Rotating	1
T04	12570000001014	Glass Tray	1
W01	12170000004303	Fan Guide	1
W02	12170000000210	Fan	1
W03	11002017000075	Fan Motor	1
W08	12270000008416	Wind Guide Cover *Upper	1
W09	12270000008407	Wind Guide Cover *Lower	1
W17	12270000003554	Mounting Plate	1
Z01	12270000006211	H.V.C Holder	1
Z24	12270000005693	Outer Case	1
	12970000000278	Rack	1
	16270000A57415	Packing Box	1