



CM123

Cople Built in Microwave Oven & Grill

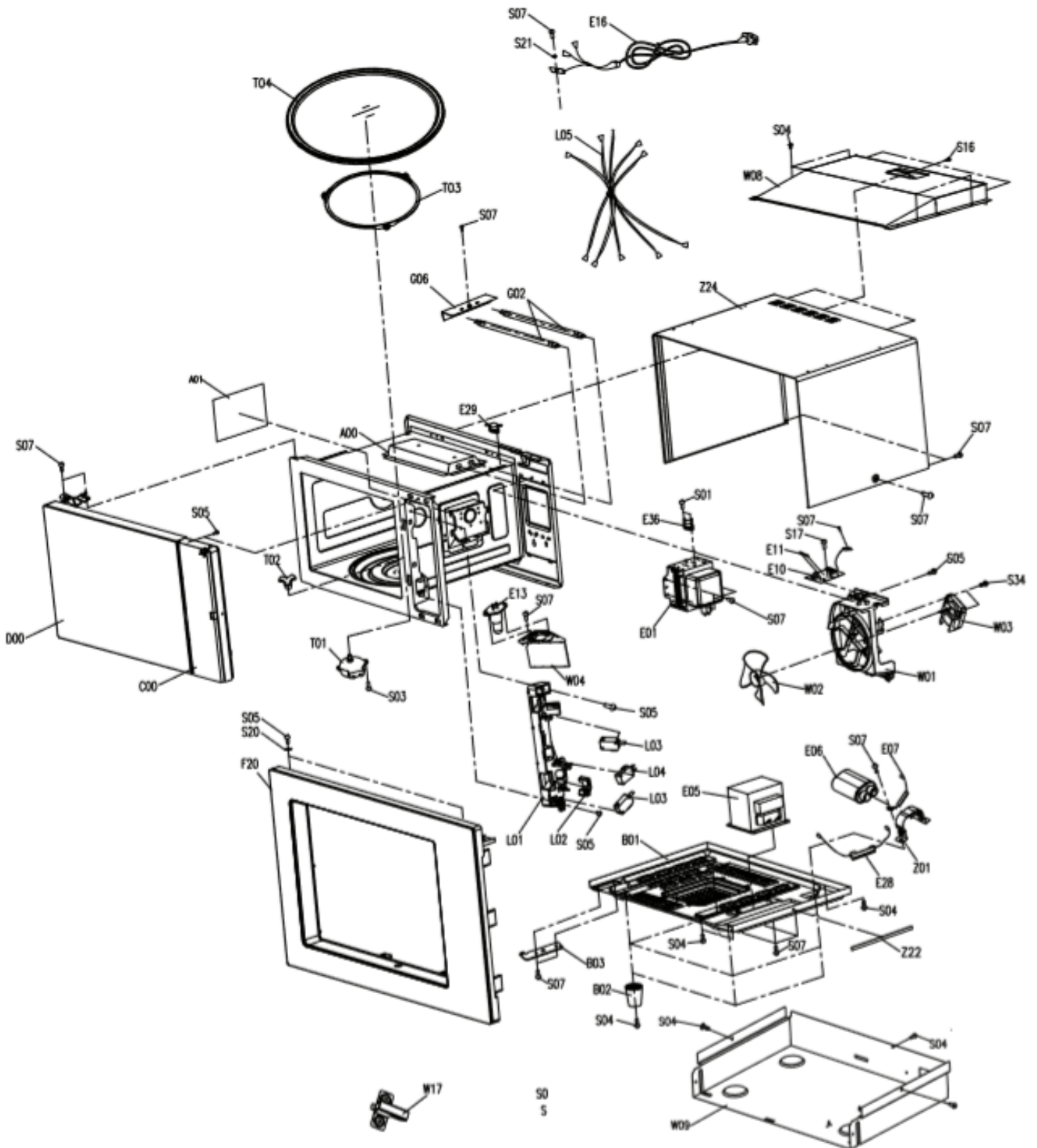


Technical Manual



CM123

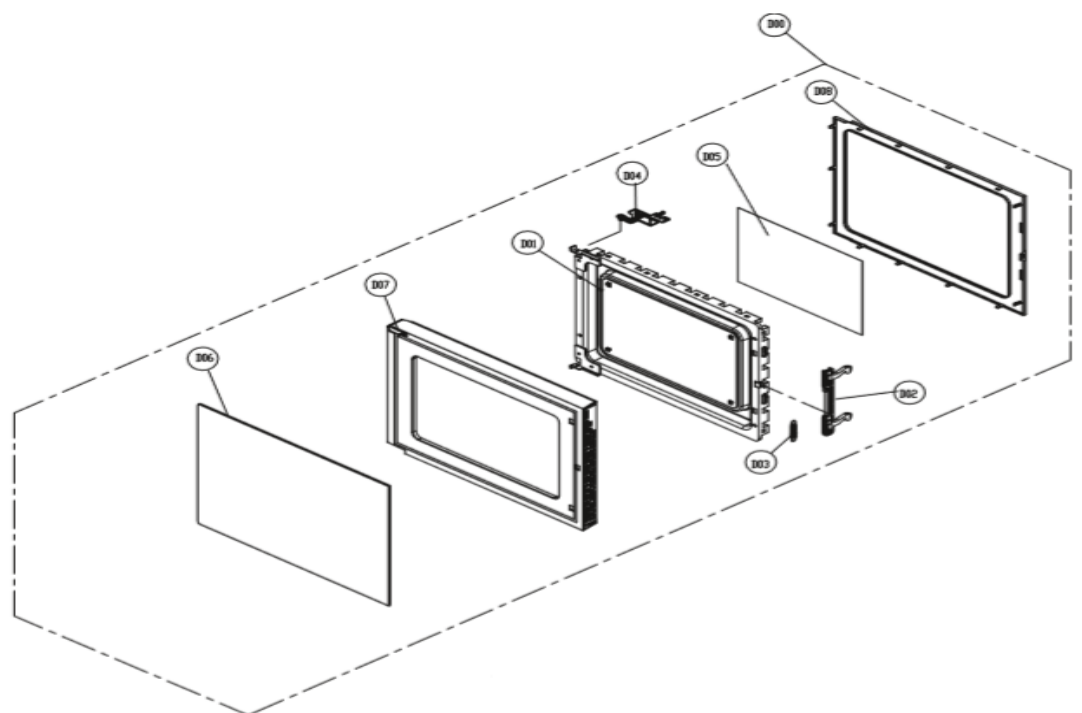
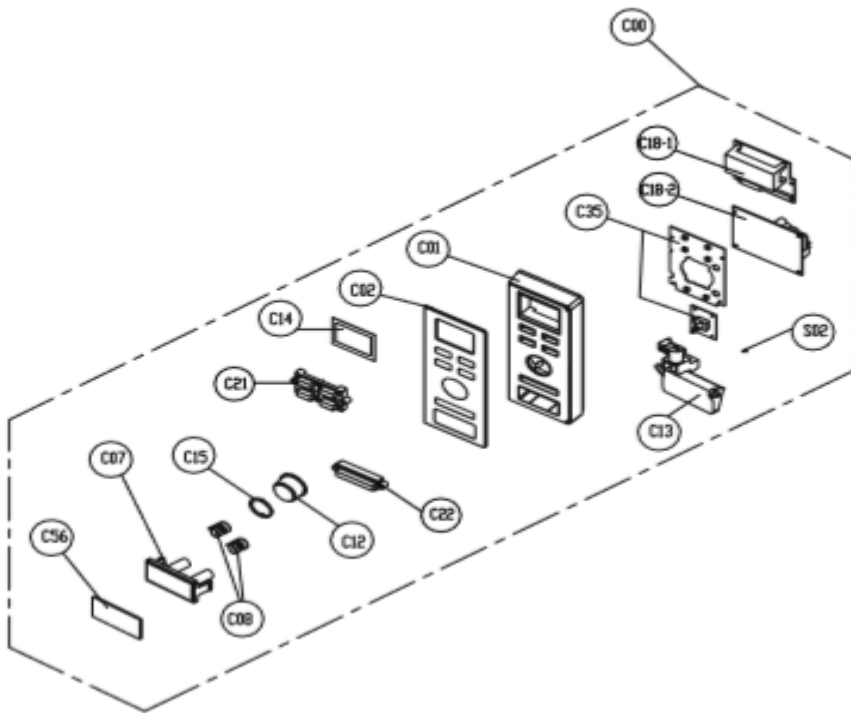
Caple Built in Microwave Oven & Grill





CM123

Caple Built in Microwave Oven & Grill





CM123

Caple Built in Microwave Oven & Grill

Item	Part Number	Description	Quantity
A00	12270000022616	Cavity Assembly	1
A01	12570000001036	Splash Cover	1
B01	12270000005090	Base plate	1
B02	12170000000198	Foot	4
B03	12270000006126	Hinge*lower	1
C00	17270000B59630C	Control Panel Assembly	1
C01	12170000001300	Control Panel	1
C02	12270000A20916	Control Panel Decoration	1
C07	12170000007287	Door Open Button	1
C08	12970000000400	Spring	2
C12	12170000009049	Dial Knob	1
C13	12170000010328	Door Open Lever	1
C14	16070000001654	Membrane Decoration	1
C15	12170000003836	Decoration Ring	1
C18-1	17170000011880	Display Assembly	1
C21	12170000008089	Button	1
C22	12170000008241	Button	1
C56	12270000000604	Button Decoration	1
C35	17170000004710A	Button Knob Plate	1
C18-2	17170000011100	Program Chip	1
D00	12270000A90408D	Door Assembly	1
D01	12270000003811	Door Frame Assembly	1
D02	12170000023687	Latch	1
D03	12970000000392	Latch Spring	1
D04	12270000006190	Hinge*upper	1
D05	12170000009519	Door Film	1
D06	12570000A02603	Door Glass	1
D07	12170000006052	Door Panel	1
D08	12170000009575	Door Gasket	1
E01	17470000000809	Magnetron	1
E05	17470000003517	H.V Transformer	1
E06	17470000000689	H.V Capacitor	1



CM123

Caple Built in Microwave Oven & Grill

Item	Part Number	Description	Quantity
E07	17470000008946	H.V Diode	1
E10+E11	17170000002983	Noise Filter Assembly	1
E13	17470000009104	Filament Lamp	1
E16	17470000009165	Power Cord	1
E28	17470000009122	H.V Fuse	1
E29	17470000009163	Thermostat 70°C	1
E36	17470000001486	Thermostat 180°C	1
F01	122700000B44206	Trim Cover	1
F02	12170000006686	Trim Panel	1
F03	12170000007372	Screw Cover	1
F11	12170000003518	Trim Veneer	2
G02	17470000001105	Quartz Heater	2
G06	12270000008094	Heater Bracket	1
L01	12170000003384	Latch Board	1
L02	12170000007322	Interlock Lever	1
L03	17470000008423	Micro switch Interlock	2
L04	17470000008425	Micro switch Monitor	1
L05	17470000001139	Main Wire Harness	1
T01	11002014000037	Synchronous Motor	1
T02	12170000000424	Coupler	1
T03	12170000004310	Swivel Assembly	1
T04	12570000007510	GLASS TURNTABLE	1
W01	12170000004303	Fan Guide	1
W02	12170000000210	Fan	1
W03	11002017000384	Brushless DC Motor	1
W04	12270000000175	Wind Guide Cover	1
W08	12270000008416	Air Damper	1
W09	12270000000221	Wind Guide Cover	1
W17	12270000003554	Mounting Plate	1
Z01	12270000006211	Capacitor Holder	1
Z22	12670000000424	Shockproof Bar	2
Z24	12270000005693	Cover	1
	12970000000278	Rack	1

F20 122700000B44206F Complete Frame