



CM120

Caple Wall Unit Microwave & Grill

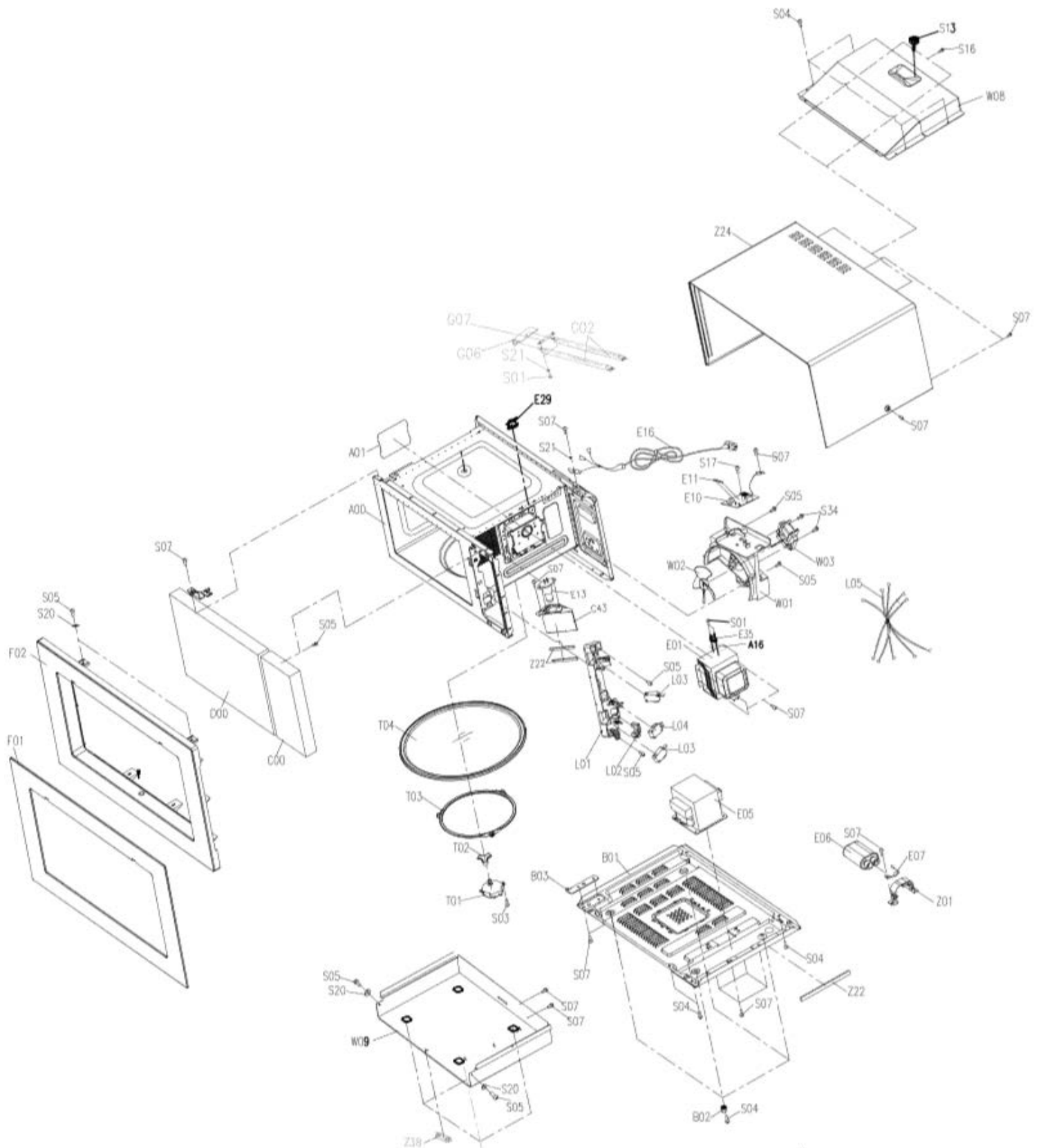


Technical Manual



CM120

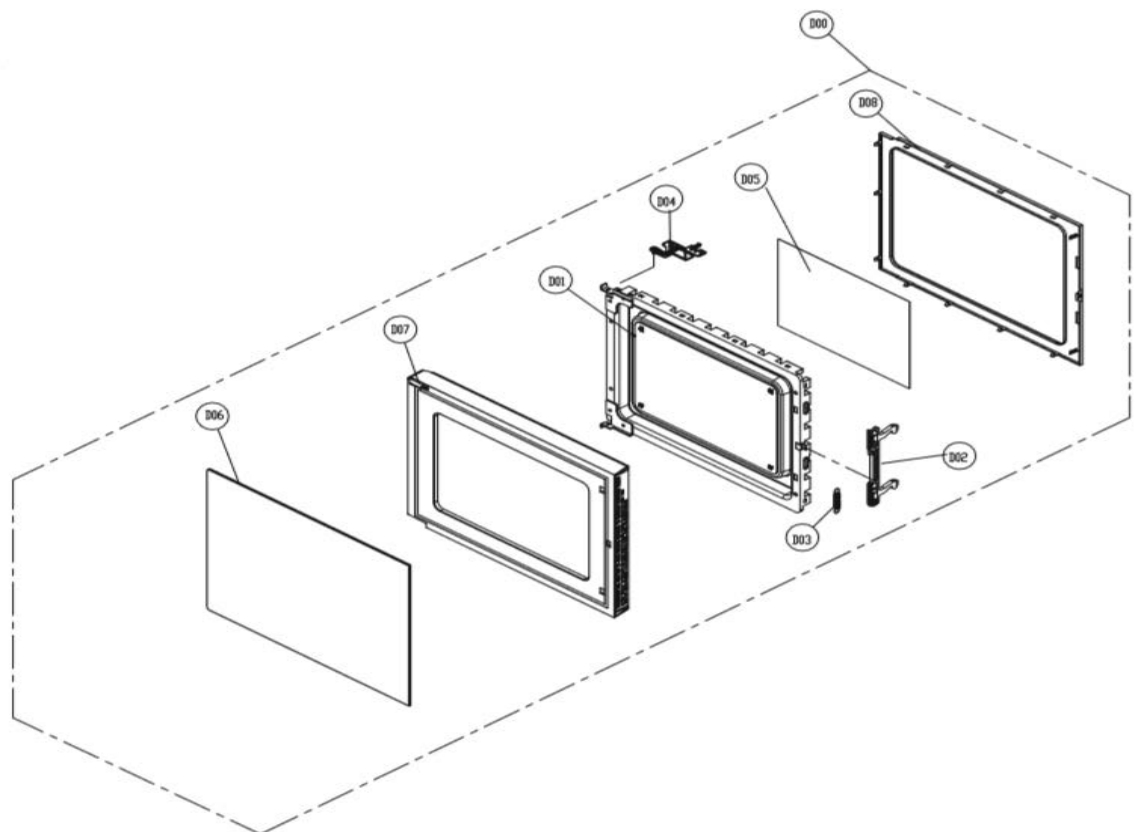
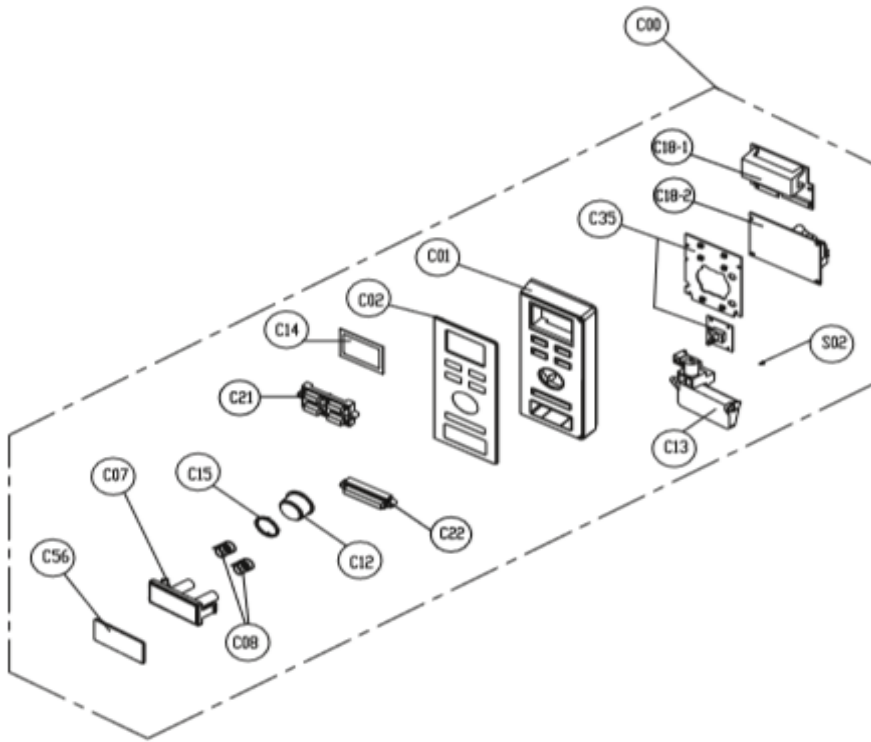
Caple Wall Unit Microwave & Grill





CM120

Caple Wall Unit Microwave & Grill





CM120

Caple Wall Unit Microwave & Grill

Item	Part Number	Description	Quantity
A00	12270000032845	ASS'Y CAVITY	1
A01	12570000001036	Splash Cover	1
A16+E35	17470000009823	Thermostat Assembly	1
B01	12270000005107	Base plate	1
B02	12170000000179	Foot	4
B03	12270000006126	Hinge*lower	1
C00	17270000B62899C	Control Panel Assembly	1
C01	12170000001301	Control Panel	1
C02	12270000A17814	Control Panel Decoration	1
C07	12170000007285	Door Open Button	1
C08	12970000000400	Spring	1
C56	12270000000611	Button Decoration	1
C12	12170000009049	Dial Knob	1
C13	12170000010328	Door Open Lever	1
C14	160700000001654	Membrane Decoration	1
C15	12170000003836	Decoration Ring	1
C18-1	17170000011880	Display Assembly	1
C18-2	17170000011881	Program Chip	1
C21	12170000008089	Button	1
C22	12170000008241	Button	1
C35	17170000004710	Button Knob Plate	1
D00	12270000B47294D	Door Assembly	1
D01	12270000003813	Door Frame Assembly	1
D02	12170000003861	Latch	1
D03	12970000000365	Latch Spring	1
D04	12270000006123	Hinge*upper	1
D05	12170000009488	Door Film	1
D06	12570000A02254	Door Glass	1
D07	12170000006028	Door Panel	1
D08	12170000028527	Door Gasket	1
E01	17470000000807	Magnetron	1
E05	17470000008523	H.V Transformer	1



CM120

Caple Wall Unit Microwave & Grill

Item	Part Number	Description	Quantity
E06	1747000000695	H.V Capacitor	1
E07	17470000008946	H.V Diode	1
E10	17170000002925	Noise Filter Assembly	1
E13	17470000009104	Filament Lamp	1
E16	17470000009186	Power Cord	1
E29	17470000009163	Thermostat 70°C	1
F02	12170000006714	Trim Panel	1
F01	12270000B47577	Other Hardware	1
G02	17470000001110	Quartz Heater	2
G06	12270000008200	Heater Bracket	1
G07	12270000003500	Quartz Heater Connector	1
L01	12170000003411	Latch Board	1
L02	12170000007318	Interlock Lever	1
L03	17470000008423	Micro switch Interlock	2
L04	17470000008425	Micro switch Monitor	1
L05	17470000001285	Main Wire Harness	1
T01	11002014000037	Synchronous Motor	1
T02	12170000000424	Coupler	1
T03	12170000004334	Swivel Assembly	1
T04	12570000001001	Glass Turntable	1
W01	12170000004299	Fan Guide	1
W02	12170000000206	Fan	1
W03	11002017000379	Brushless DC Motor	1
C43	12270000000175	Wind Guide Cover	1
W08	12270000000145	Wind Guide Cover	1
W09	12270000000240	Wind Guide Cover	1
Z01	12270000006211	Capacitor Holder	1
Z22	12670000000424	Shockproof Bar	1
Z24	122700000027236	Cover	1
Z38	12170000003920	Plastic Bracket	1
	12970000000299	Rack	1

E11 17470000001539 Fuse