

Model :

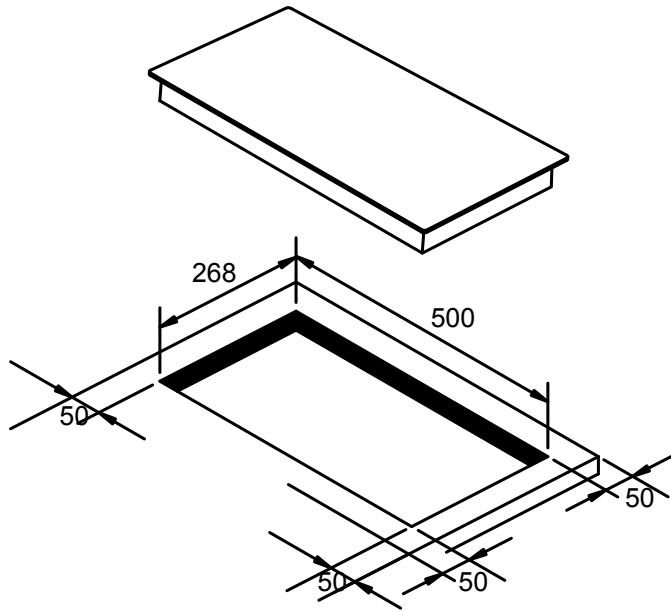
C994i

---

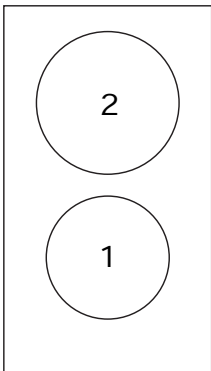
# Service Manual

## Induction hob

Technical data



Model : C994i



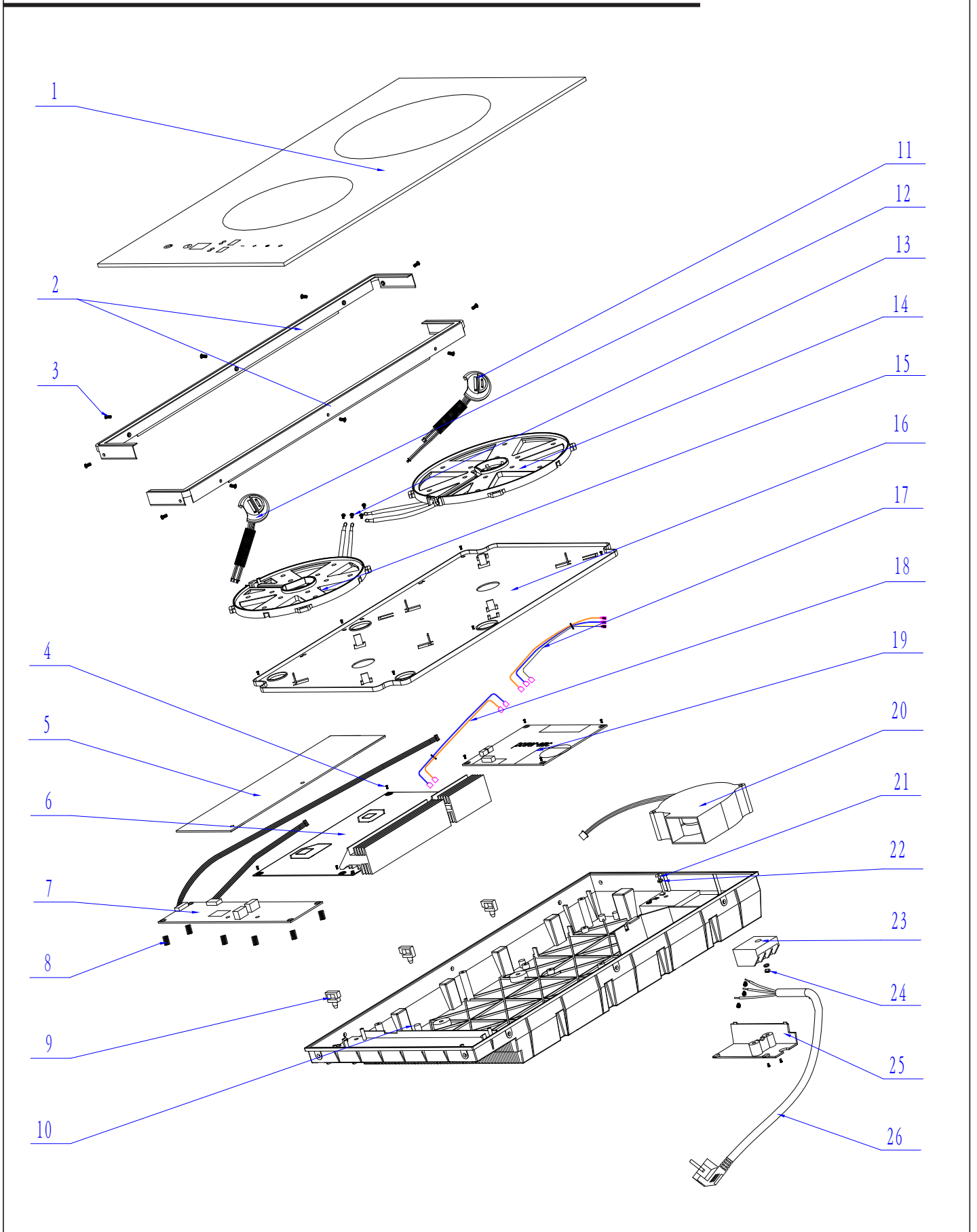
Heating zone	1	2
Size (mm)	ø 140	ø 180
Power	1500W	2000 W

Voltage : 220-240V~

Frequency: 50/60Hz

Exploded view

Model : C994i

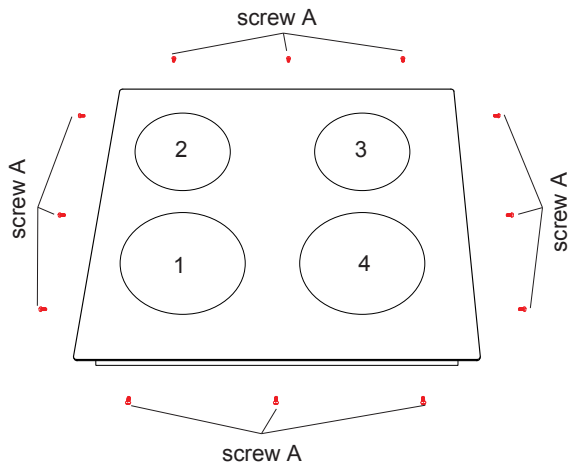


Spare part list

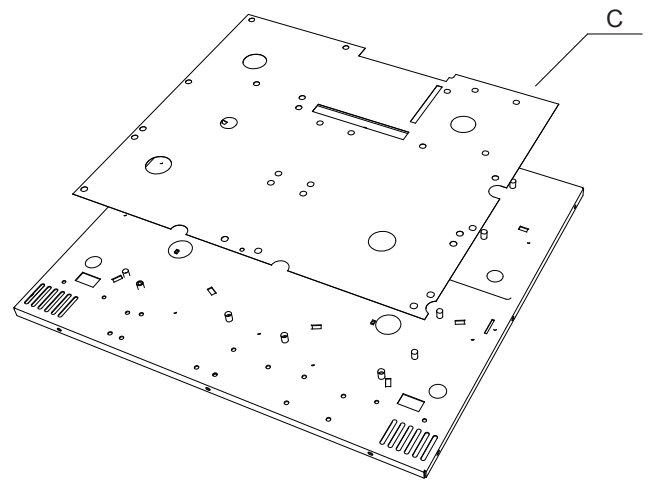
Model : C994i

No.	Parts code	Parts names	QTY	Series No.
1、 2	G-C994i	glass assembly	1	
3	301500101374	screw	10	
4	301500101192	screw	14	
5	541700300002	insulation piece	1	
6	303203101364	Main control board	1	
7	541500100002	Display board	1	
8	541400400001	spring	6	
9	303207300212	line clamp	3	
10	541300100001	Base	1	
11	541600200011	Thermistor Component	1	
12	541600200011	Thermistor Component	1	
13	301500101194	Screw	4	
14	542200000001	180 Coil groupware	1	
(15)		140 Coil groupware		
(16)		radiator board		
17	541800100003	Connet line 1	1	
18	541800100004	Connet line 2	1	
19	541500200001	Power board	1	
20	541600100001	Fan	1	
21	541000000003	screw	1	
22	301500300088	gasket	2	
23	541600400001	junction port holder	1	
24	303207805016	Screw	1	
25	541300600001	Fixing box	1	
26	541800000011	power cord	1	

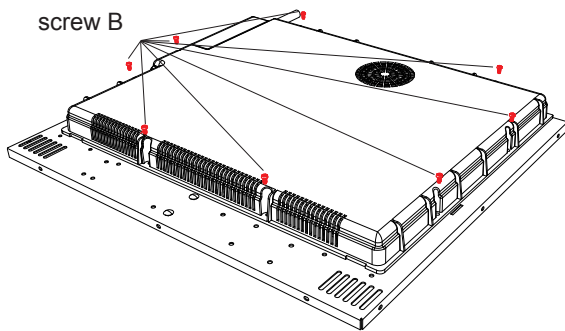
# Technical data



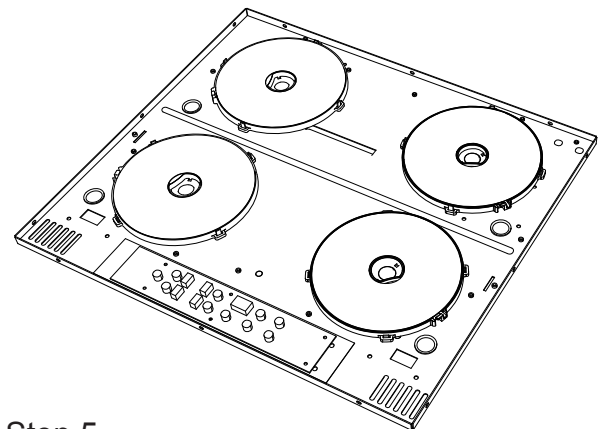
Step1:  
remove the screw A around the base cover



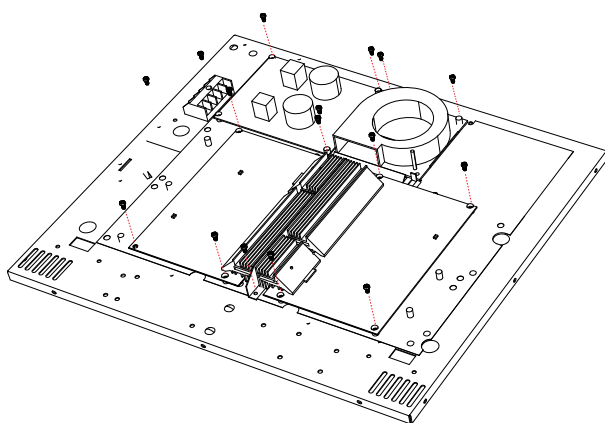
Step 4:  
Remove C



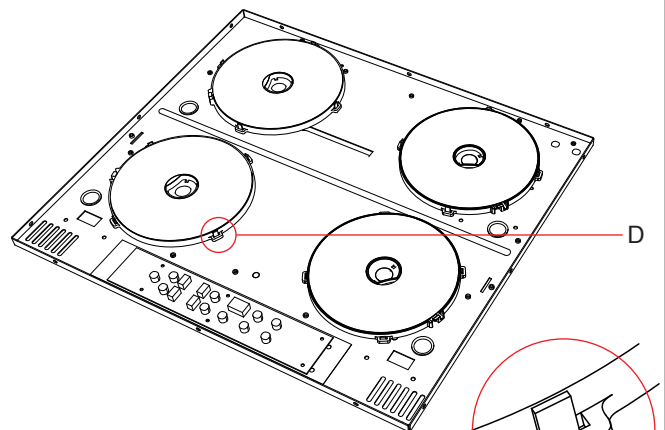
Step2:  
remove the screw B



Step 5:  
reserve the product

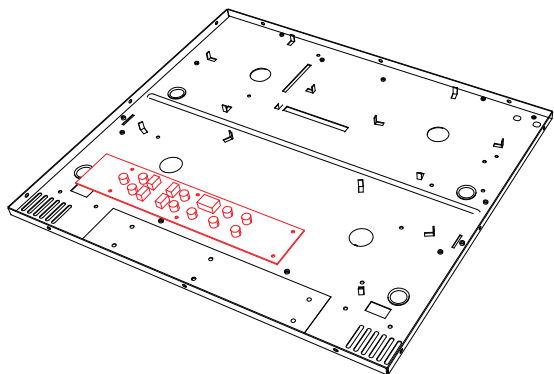


Step 3:  
remove all the screws and wires

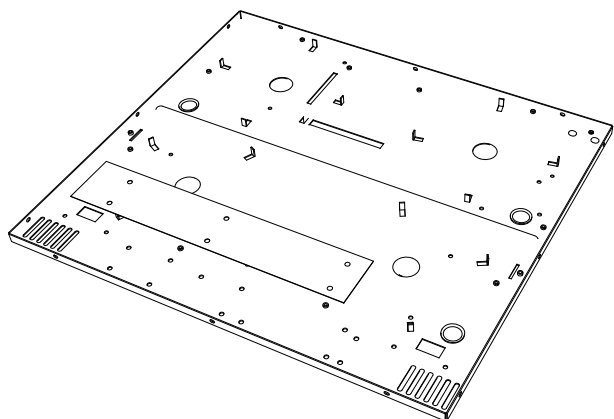


Step.6  
to remove the induction coil, straighten  
the buckle of D

## Technical data



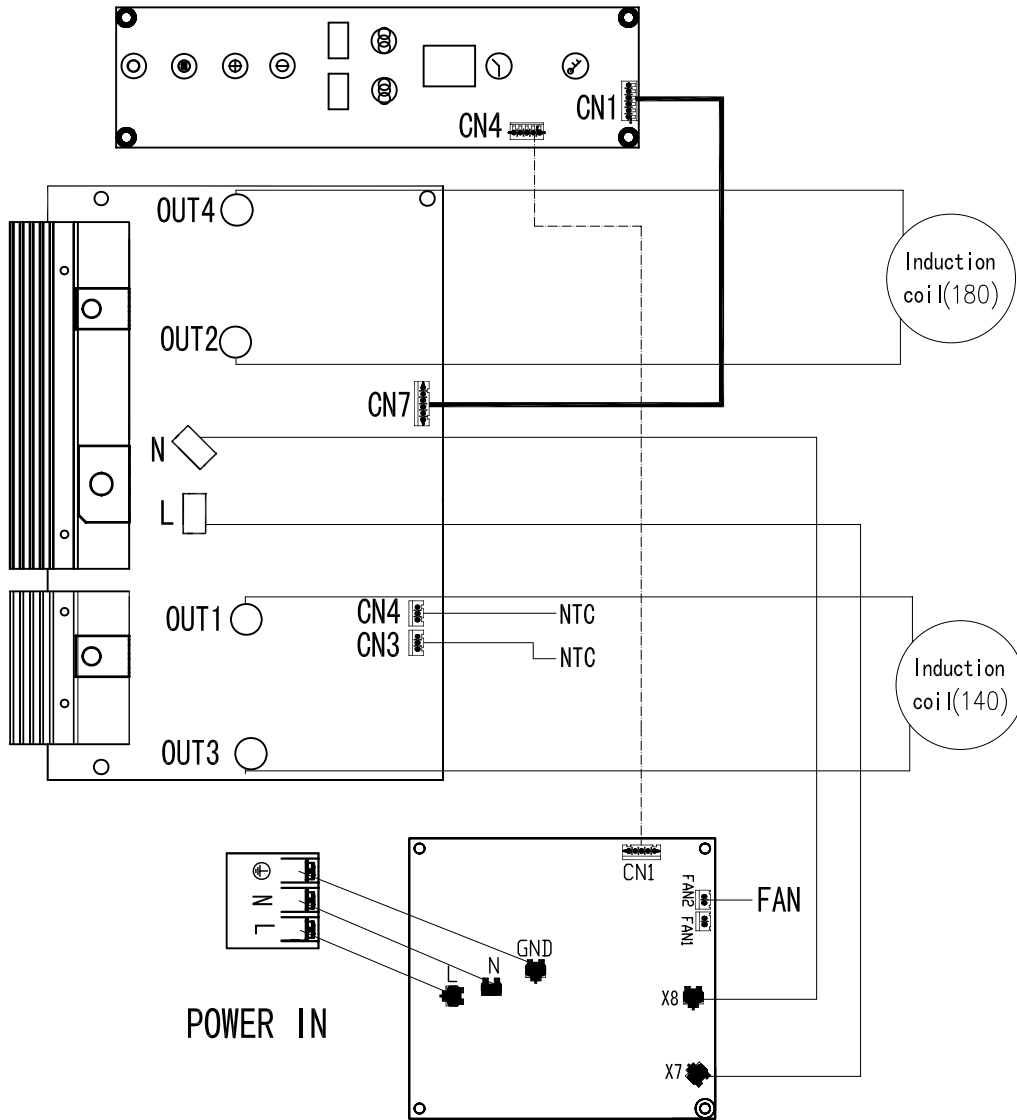
Step 7:  
remove the display board



Step 8:  
done

Technical data

Model : C994i



The induction hob is equipped with a self diagnostic function. With this test the technician is able to check the function of several components without disassembling or dismantling the hob from the working surface.

Troubleshooting

- 1) failure code occur during customer using.
- 2) Solution a is as following.
- 3) If the problem can't be settled by solution a, solution b can be used.

Failure code	Problem	Solution
E1/E2	Voltage irregularity.	Unit should operate normally after a few minutes and code will disappear from display.
E3/E4	High temperature of ceramic plate	Wait for temperature to return to normal. Push "ON/OFF" button to restart unit.
E5/E6	High temperature of hob	Wait for temperature to return to normal. Push "ON/OFF" button to restart unit.
		Check if the fan runs smoothly.Fan should be replaced by a new one if not work anymore.
F3/F4/F5/F6/F7/F8	Ceramic plate temperature sensor failure.	Check the connection or replace the ceramic plate temperature sensor.
F9/FA/FB/FC/FD/FE	IGBT temperature sensor failure.	Replace the power board.

Failure	Problem	Solution A	Solution B
The LED does not come on when unit is plugged in.	No power supplied.	Check to see if plug is secured tightly in outlet and that outlet is working.	
	The accessorial power board and the display board connected failure	Check the connection.	
	The accessorial power board is damaged.	Replace the accessorial power board	
	The display board is damaged.	Replace the display board.	
Some buttons can't work, or the LED display is not normal.	The display board is damaged.	Replace the display board.	
The Cooking Mode Indicator comes on, but heating does not start.	High temperature of the hob.	Ambient temperature may be too high.Air Intake or Air Vent may be blocked.	
	There is something wrong of the fan.	Check if the fan runs smoothly.Fan should be replaced by a new one if not work anymore.	
	The power board is damaged.	Replace the power board.	

Failure	Problem	Solution A	Solution B
Heating stops suddenly during operation and display “ <u>u</u> ”.	Pan Type is wrong.	Use the proper pot (refer to the instruction manual.)	Pan detection circuit is damaged, replace the power board.
	Pot diameter is too small		
	Cooker has overheated;	Unit is overheated.Wait	
		for temperature to return to normal. Push “ON/OFF” button to restart unit.	
Heating zones of the same side ( Such as the first and the second zone ) would display “ <u>u</u> ” .	The power board and the display board connected failure;	Check the connection.	
	The display board of communicate part is damaged.	Replace the display board.	
	The power board is damaged.	Replace the power board.	
Fan motor sounds abnormal.	The fan motor is damaged.	Replace the fan.	