

---

# Service Manual

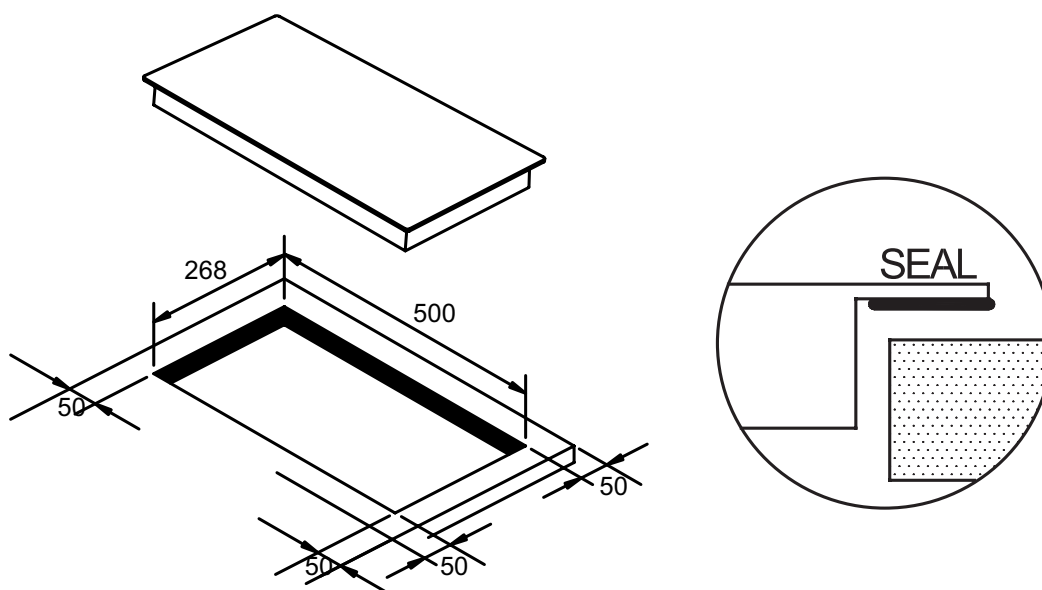
Ceramic Hob (G1.6)

---

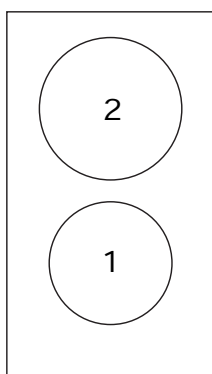
Model :

C892C

Technical data



Model: C892C



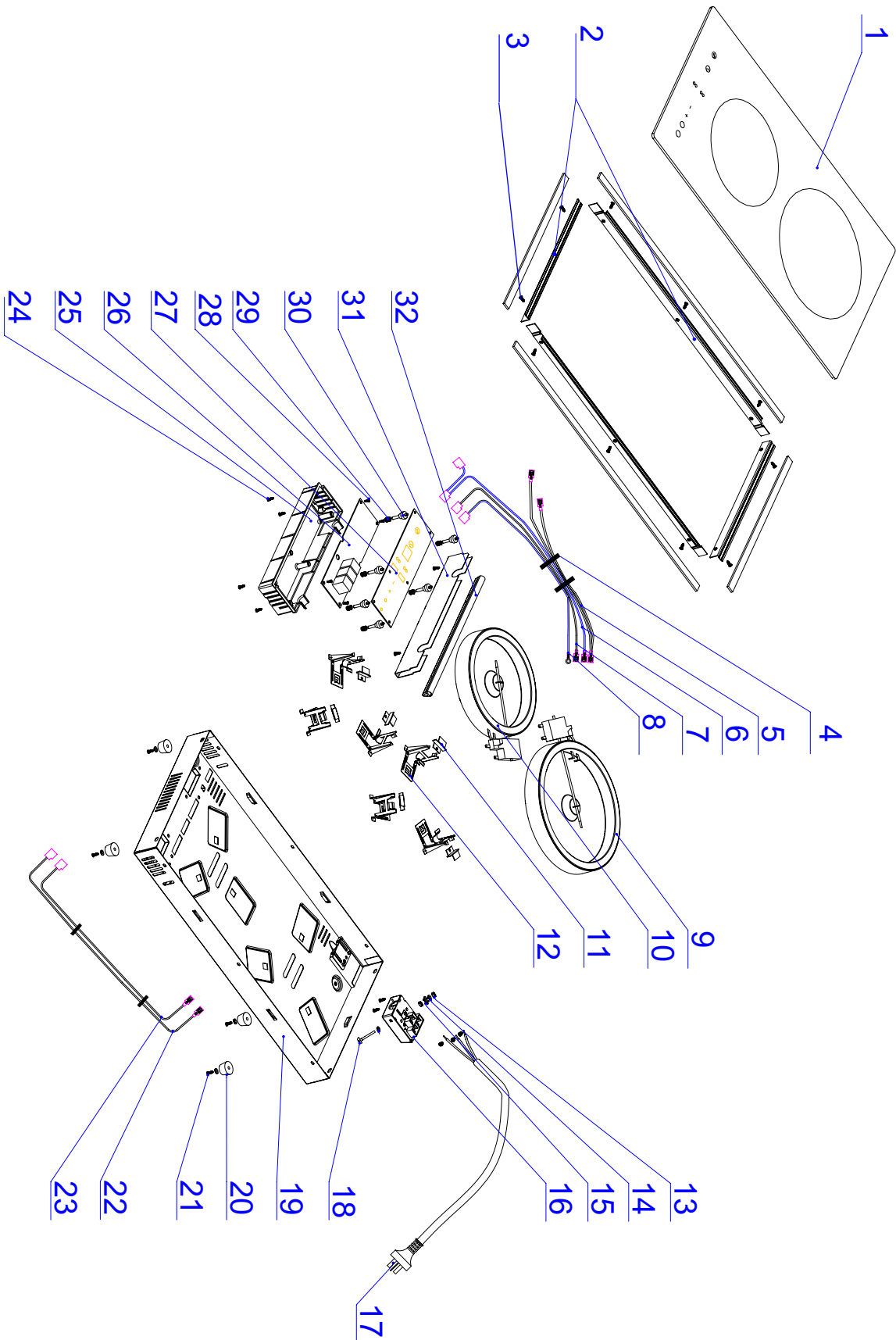
Heating zone	1	2
Size (mm)	ø 165	ø 200
Power	1200W	1800 W

Voltage : 220-240V~

Frequency: 50/60Hz

Exploded view

Model: C892C

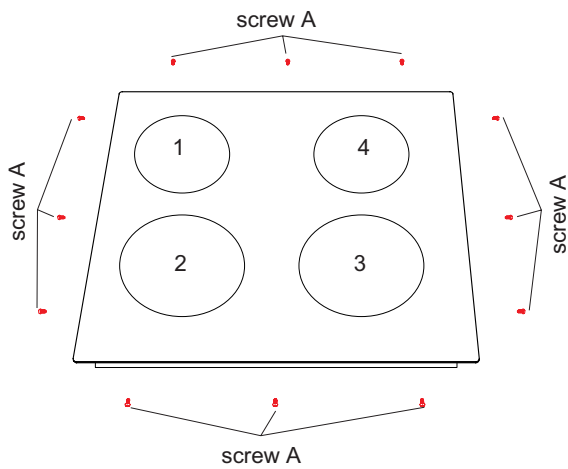


Spare part list

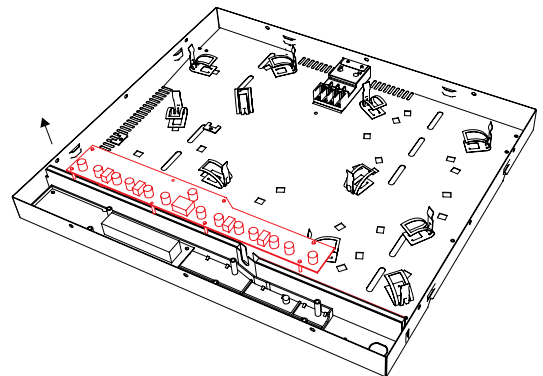
Model: C892C

No.	Parts code	Parts names	QTY	Series No.
1、 2	G-C892C	glass assembly	1	
3	301500101197	Screw	8	
4	303206800059	Cable	4	
5	303206800205	Cable	1	
6	303206800200	Cable	1	
7	303206800193	Cable	1	
8	303206800212	Cable	1	
9	541600000002	single loop hob(200)	1	
10	541600000003	single loop hob(165)	1	
11	541400400002	hob fixer	6	
12	541400200017	spring bracket	6	
13	303207805016	Screw	2	
14	301500101083	Play mat	1	
16	541600400002	Junction box	1	
17	541800000011	power cord	1	
18	301500100615	Screw	1	
19	541410000008-b	base cover	1	
20	303207500033	feet	4	
21	301500100954	Screw	4	
22	303206800163	Cable	1	
23	303206800164	Cable	1	
24	301500101192	Screw	6	
25	541300200004	Inverter Base	1	
26	541500300001	main control board assembly	1	
27	541500100011	display board assembly	1	
28	301500100515	Screw	4	
29	541400400004	spring	6	
30	303207300006	Conjunction pole	6	
31	541410000008-a	adiabatic bracket	1	
32	541700200002	silicone sealed strip	1	

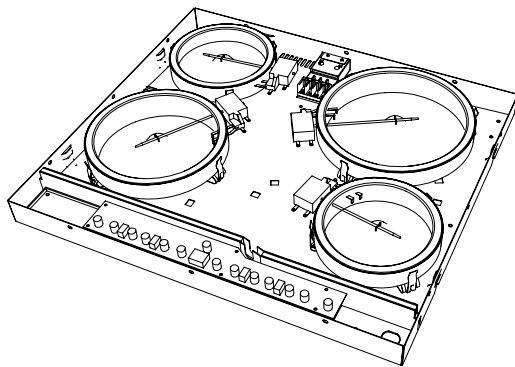
# Technical data



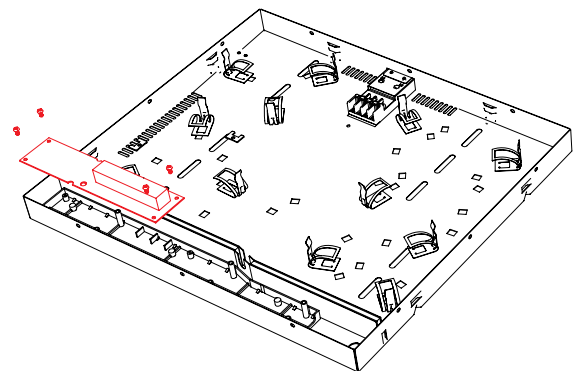
Step1 :  
remove the screw A around the base cover



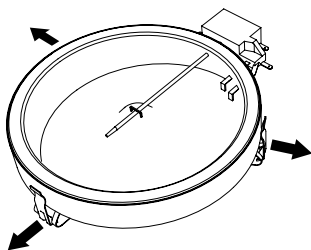
Step 4:  
remove the display board



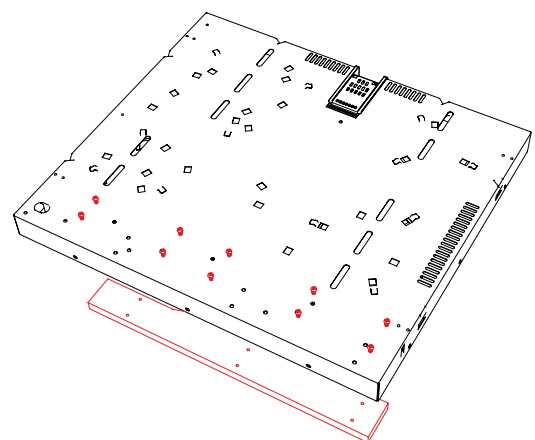
Step2:  
remove the wires



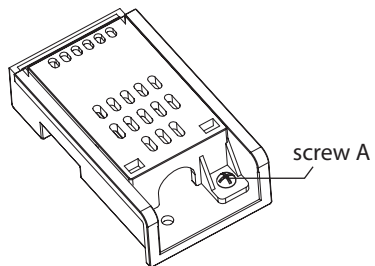
Step 5:  
remove the power board



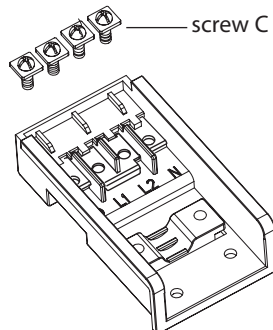
Step 3:  
open the bracket and remove the heating element



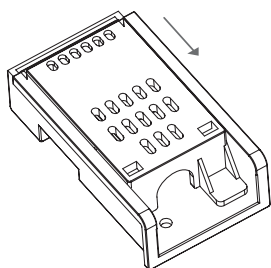
Step 6:  
to remove the display board fixing box,  
reverse the base and remove the screws



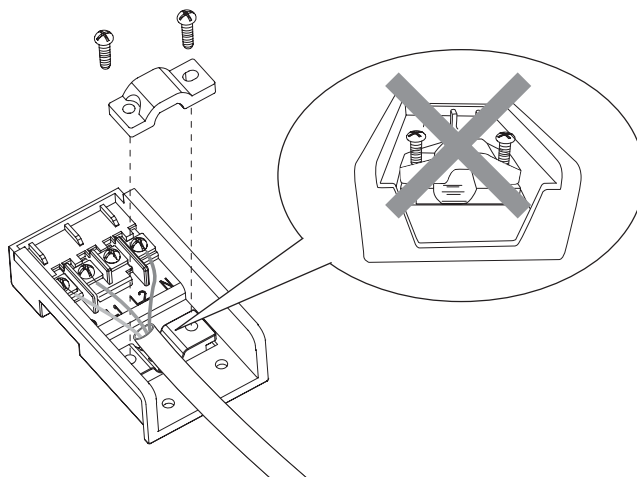
1. Remove the screw A.



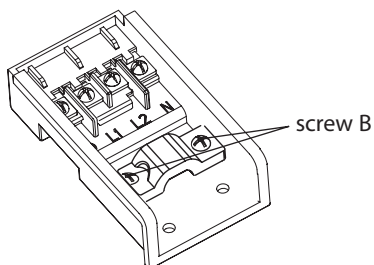
4. Remove the 4 screws C in the terminal box and insert the power cord at the connection.



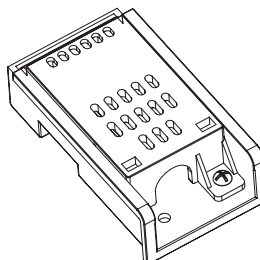
2. Push the top plate back and then lift it up.



5. Assemble the cable clamp, be aware that the ellipse hole on cable clamp must match the ellipse hole on.

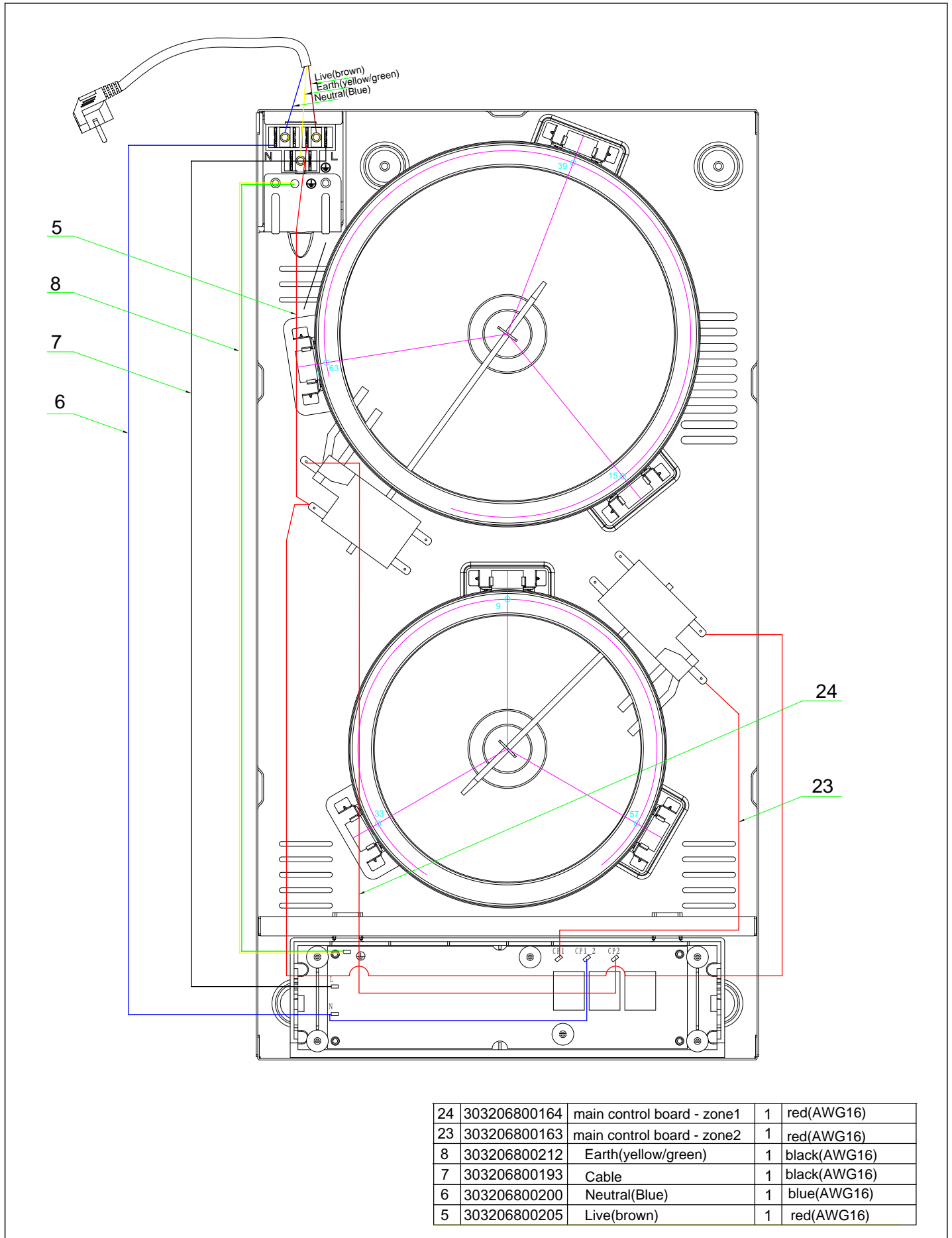


3. Remove the 2 screws B.



6. Fix the top plate.

# Wiring diagram



## Hints and Tips

Failure	Problem	Solution
After power is supplied, the buttons, the LED and the buzzer can't work.	Connection failure	Check the connection.
	The power board is damaged.	Replace the power board.
	The display board is damaged.	Replace the display board.
After power is supplied, some of the buttons can't work, but the LED and the buzzer works normally.	The display board is damaged.	Replace the display board.
After power is supplied, the buttons, LED, and buzzer in the display board work normally. But the stoves don't work.	Connection failure	Check the connection.
	The power board is damaged.	Replace the power board.
	All stoves are damaged.	Replace the stoves.
Some staves don't work, but the others work normally.	Connection failure	Check the connection.
	The power board is damaged.	Replace the power board.
	Stoves are damaged.	Replace the stoves.
	High temperature of the stoves.	Restart when the staves cool down.