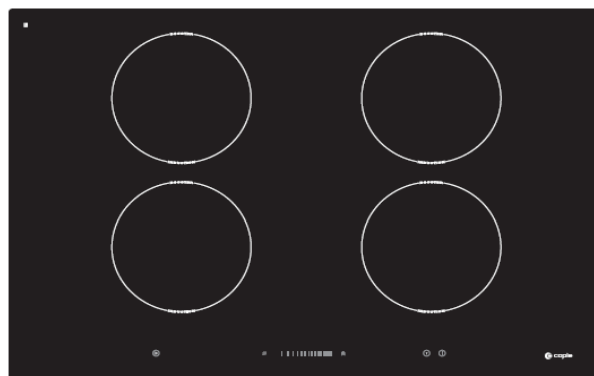




# C863I

Caple 77cm induction hob

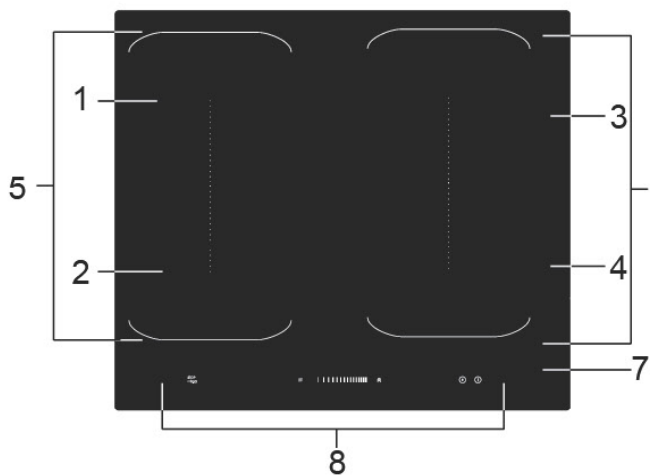
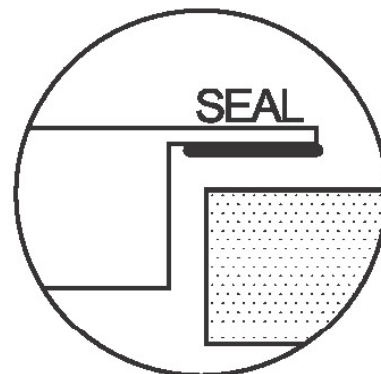
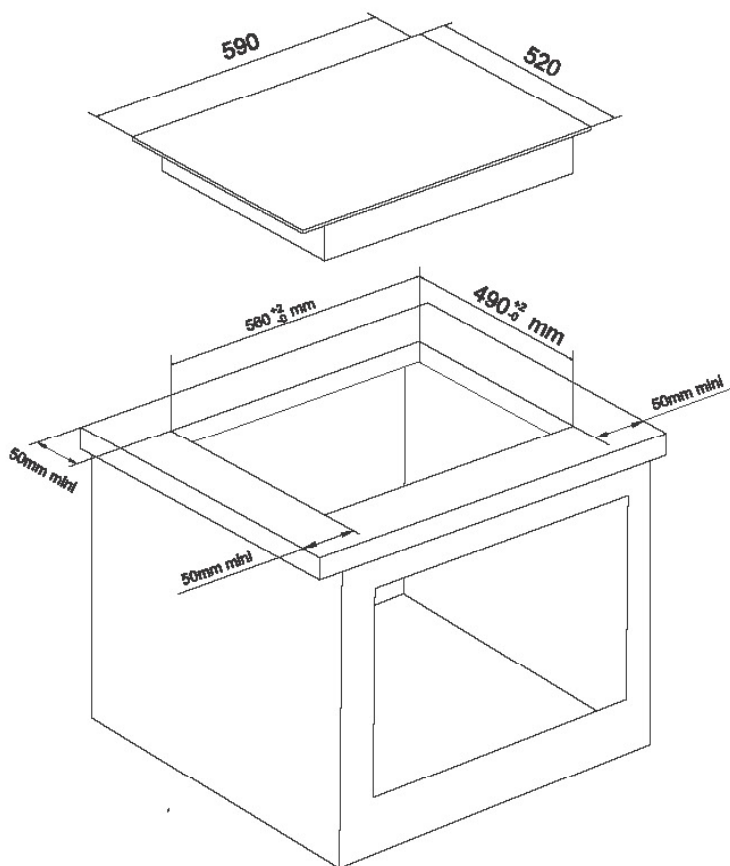


## Technical information



# C863I

Caple 77cm induction hob



Zone	Normal
1	max. 1800 / 3000 W
2	max. 1800 / 3000 W
3	max. 1800 / 3000 W
4	max. 1800 / 3000 W
5	free induction zone. 3000/4000 W
6	free induction zone. 3000/4000 W
7	Glass plate
8	Control panel

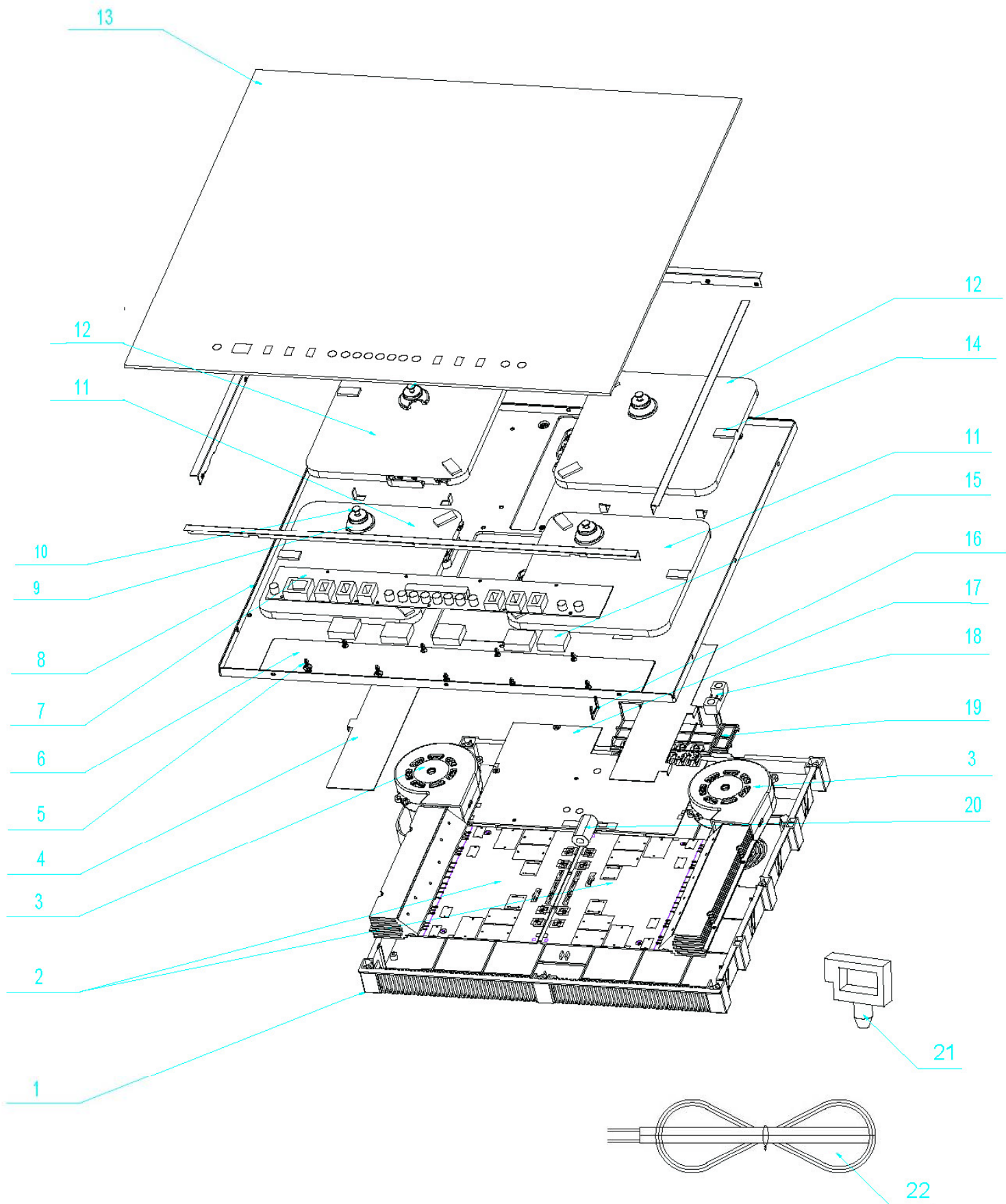
Voltage : 220-240V~

Frequency : 50/60Hz



# C863I

Caple 77cm induction hob





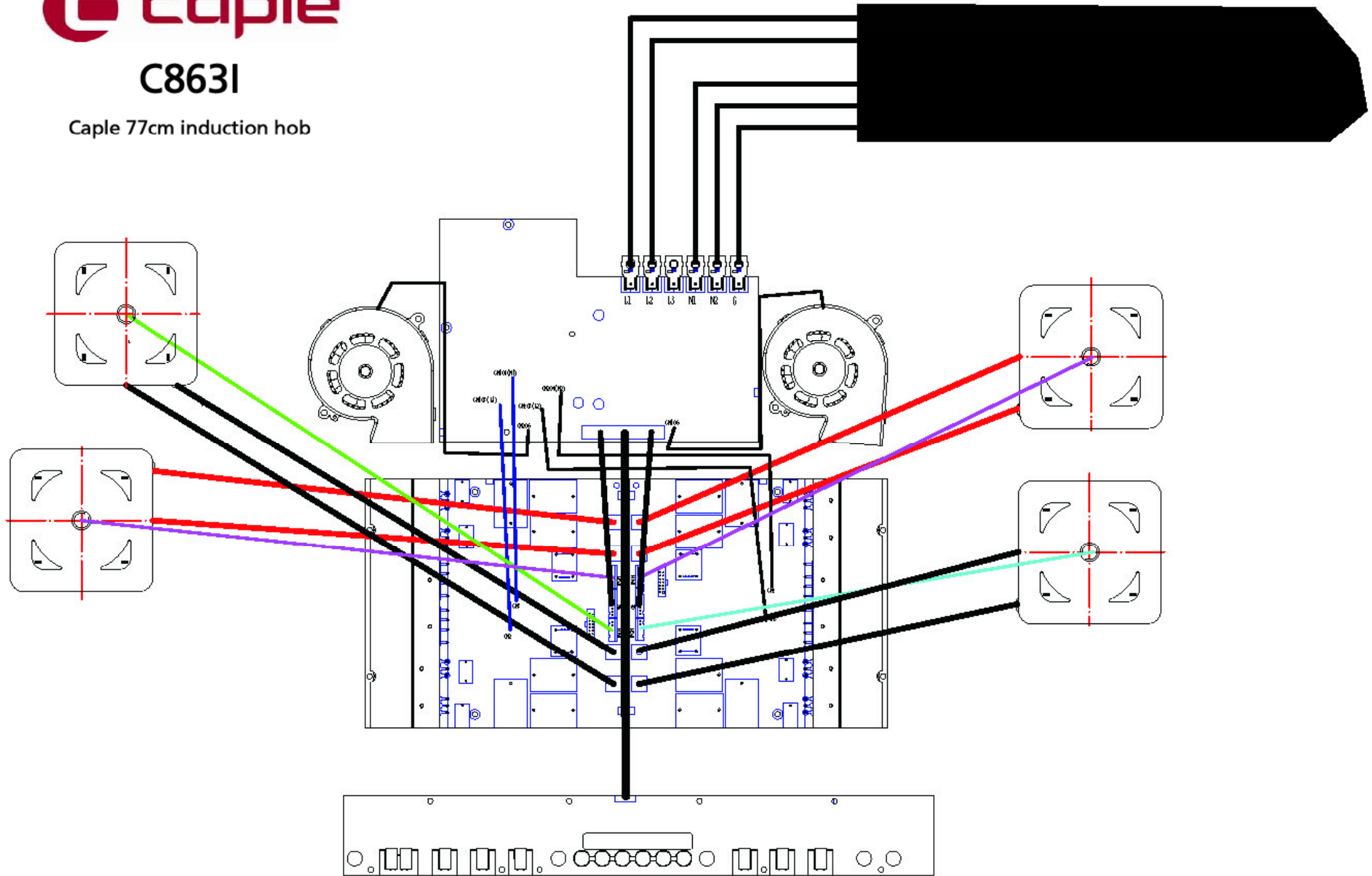
## C863I - Caple 77cm induction hob

Item	Part Code	Description	Qty
1	541300100003	base	1
2	541500000063	Main control board	2
3	541600100003	Fan	2
4	541700300007	windshield insulating flake	2
5	303207300211	knighthead	4
6	541700300017	isinglass flake A	1
7	541500100097	display board	1
8	541400300015	radiator board	1
9	541700200015	the silicone support	4
10	541600200003	Thermistor component	4
11	542200000018	Coil groupware (190)	2
12	542200000017	Coil groupware (190)	2
13	542000606153+ 542300000059	glass assembly	1
14	541700200014	silicone gasket	12
15	541700700002	Supporting Foam	5
16	541400500001	brace	2
17	541500200003	Power board	1
18	541300600004	Fixed board	1
19	541300600003	power cord case cover	1
20	543000300002	magnet ring	1
21	303207300212	line clamp	7
22	541800000017	power cord	1



C8631

Caple 77cm induction hob





## C863I

Cape 77cm induction hob

### Failure Display and Inspection

If an abnormality comes up, the induction hob will enter the protective state automatically and display corresponding protective codes:

Problem	Possible causes	What to do
F1-F6	Temperature sensor failure	Please contact the supplier.
F9-FA	Temperature sensor of the IGBT failure.	Please contact the supplier.
FC	The connection between the display board and the main board is fail	Please contact the supplier.
E1/E2	Abnormal supply voltage	Please inspect whether power supply is normal. Power on after the power supply is normal.
E3/E4	Temperature sensor of the ceramic glass plate is high	Please restart after the induction hob cools down.
E5	Temperature sensor of the IGBT is high	Please restart after the induction hob cools down.

The above are the judgment and inspection of common failures.

Please do not disassemble the unit by yourself to avoid any dangers and damages to the induction hob.

Problem	Possible causes	What to do
The induction hob cannot be turned on.	No power.	Make sure the induction hob is connected to the power supply and that it is switched on. Check whether there is a power outage in your home or area. If you've checked everything and the problem persists, call a qualified technician.
The touch controls are unresponsive.	The controls are locked.	Unlock the controls. See section 'Using your induction cooktop' for instructions.
The touch controls are difficult to operate	There may be a slight film of water over the controls or you may be using the tip of your finger when touching the controls.	Make sure the touch control area is dry and use the ball of your finger when touching the controls.



## C863I

Caple 77cm induction hob

<b>Problem</b>	<b>Possible causes</b>	<b>What to do</b>
The glass is being scratched.	Rough-edged cookware.  Unsuitable, abrasive scourer or cleaning products being used.	Use cookware with flat and smooth bases. See 'Choosing the right cookware'.  See 'Care and cleaning'.
Some pans make crackling or clicking noises.	This may be caused by the construction of your cookware (layers of different metals vibrating differently).	This is normal for cookware and does not indicate a fault.
The induction hob makes a low humming noise when used on a high heat setting.	This is caused by the technology of induction cooking.	This is normal, but the noise should quieten down or disappear completely when you decrease the heat setting.
Fan noise coming from the induction hob.	A cooling fan built into your induction hob has come on to prevent the electronics from overheating. It may continue to run even after you've turned the induction hob off.	This is normal and needs no action. Do not switch the power to the induction hob off at the wall while the fan is running.
Pans do not become hot and appears in the display.	The induction hob cannot detect the pan because it is not suitable for induction cooking.  The induction hob cannot detect the pan because it is too small for the cooking zone or not properly centred on it.	Use cookware suitable for induction cooking. See section 'Choosing the right cookware'.  Centre the pan and make sure that its base matches the size of the cooking zone.
The induction hob or a cooking zone has turned itself off unexpectedly, a tone sounds and an error code is displayed (typically alternating with one or two digits in the cooking timer display).	Technical fault.	Please note down the error letters and numbers, switch the power to the induction hob off at the wall, and contact a qualified technician.