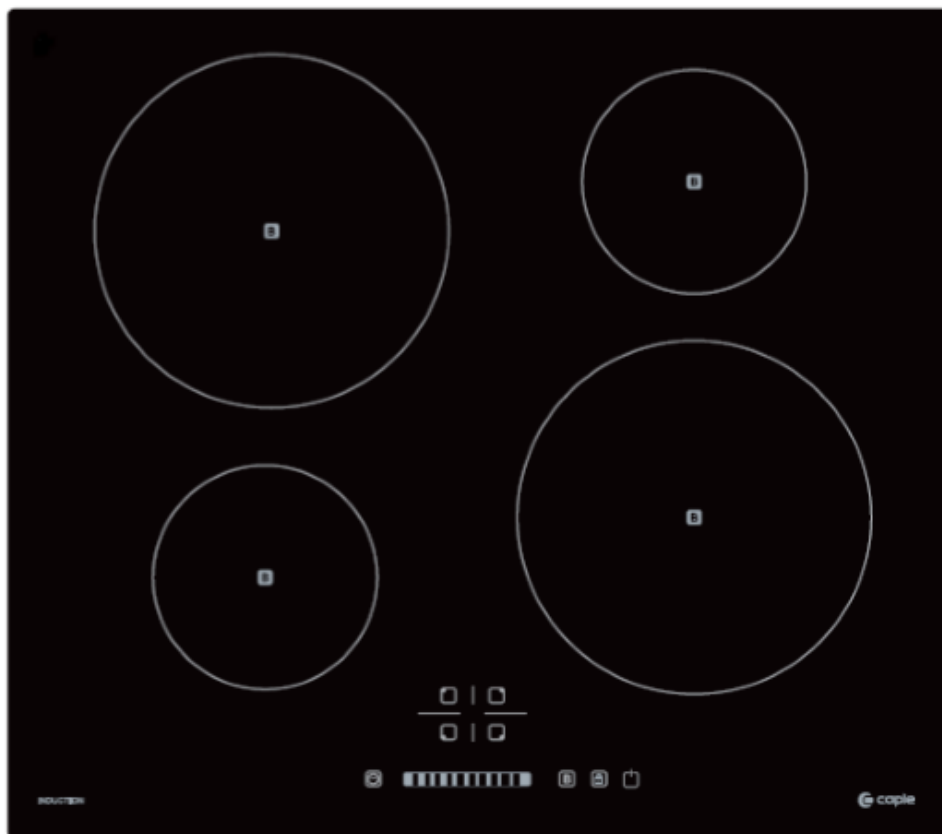




C854I

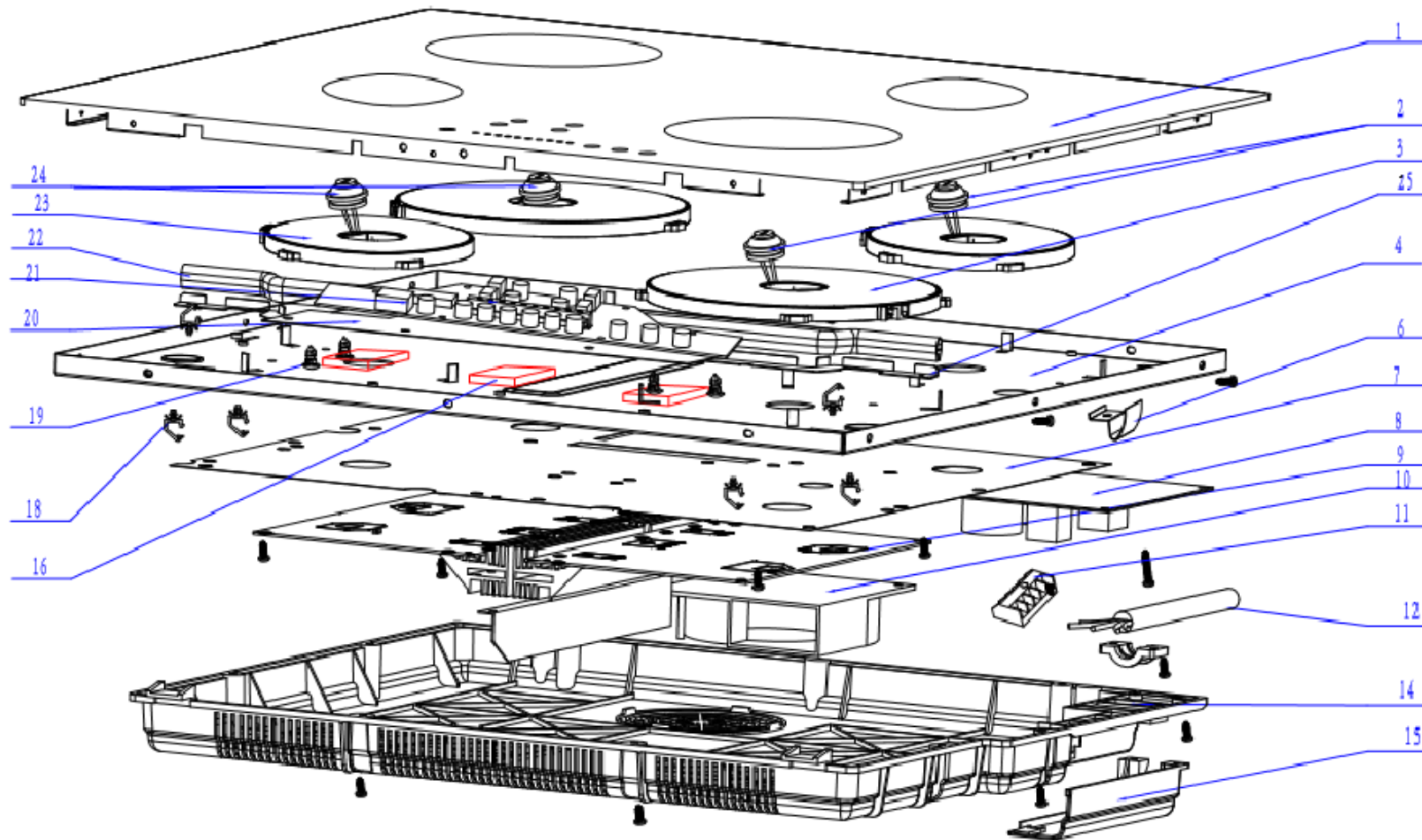
Caple Induction Hob - 4 Zone



Technical Manual



C854I - Caple Induction Hob - 4 Zone





C854I

Caple Induction Hob - 4 Zone

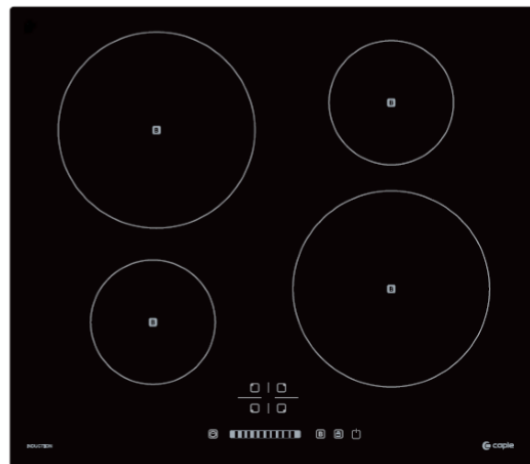
Item	Part Number	Description	Quantity
1	12966000000037	Glass Plate Bracket Assembly	1
	12566000A09381	Stove Panel	1
2	17466000000191	Temperature Sensing Assembly 205mm	2
3	17466000000111	Coil Plate 220	2
4	12266000000063	Support Aluminium Plate	1
6	12966000000014	Hanging Plate Fitting	1
7	12766000000011	Main Board Mica Sheet	1
8	17166000000922	Power Supply Board	1
9	17166000000239	Master Board	2
10	17466000000046	Fan Assembly	1
11	17466000000050	Terminal Block	1
12	17466000000223	Power Cord	1
14	12166000000046	Bottom Base	1
15	12166000000036	Power Cord Box Lid	1
16	12466000000002	Foam Support	3
18	12166000000027	Wire Clamp	6
19	12166000000029	Isolated Column	4
20	12766000000025	Display Board Mica Sheet	1
21	17166000000089	Display Circuit Board	1
22	12666100000009	Silicone Sealing Strip	1
23	17466000000121	Coil Plate 140	2
24	17466000000194	Temperature Sensing Assembly 275mm	2
25	12266000000012	Heat Insulation Bracket	1
27	17466000000129	Wire Harness 450mm	2
28	17466000000163	Wire Harness 150mm	2



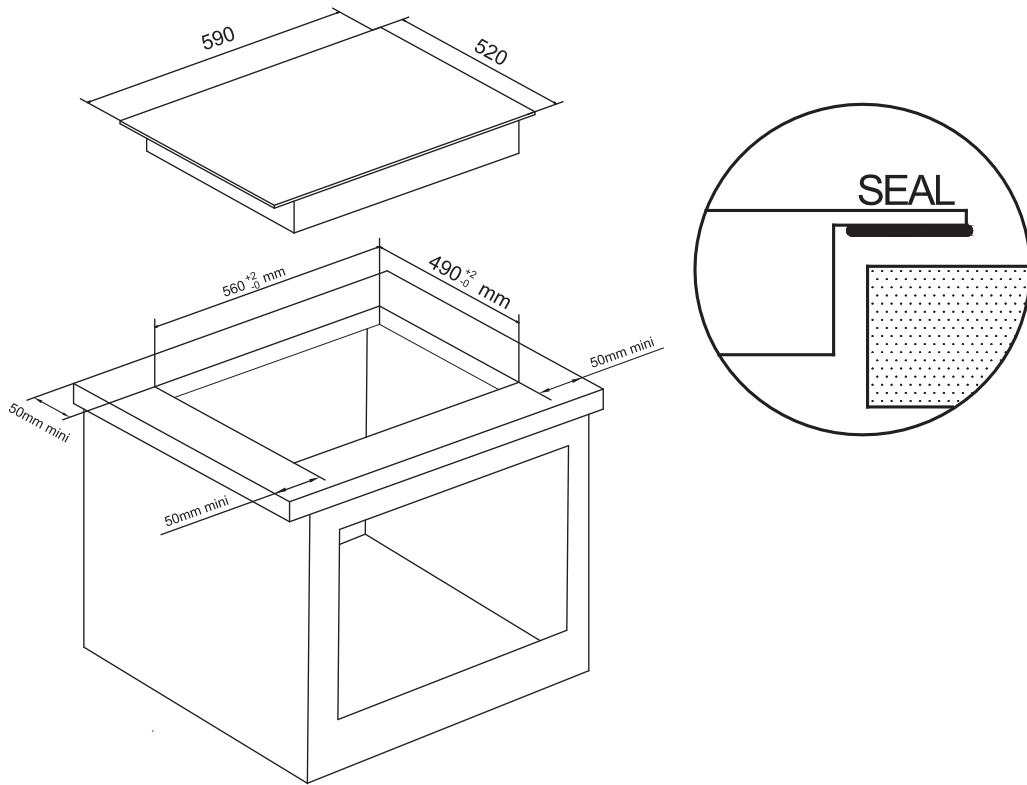
C854I - 4 Zone Induction Hob

Service Manual

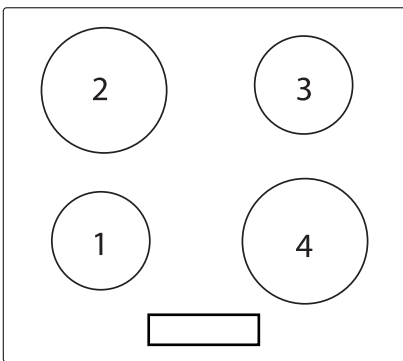
Induction hob



Technical data



Model : C854I



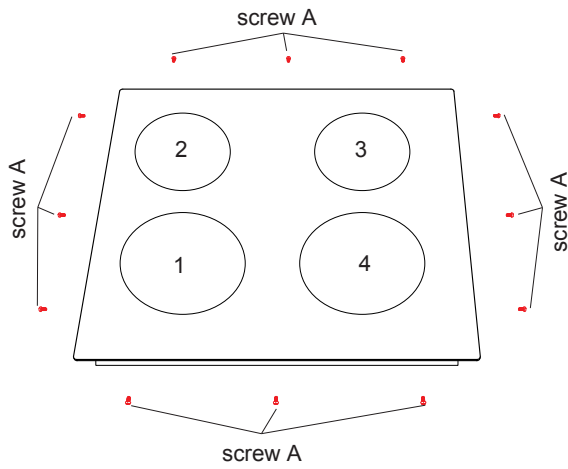
Heating zone	Size (mm)	Normal
1	∅ 160	1200/1500 W
2	∅ 210	2300/2600 W
3	∅ 160	1200/1500 W
4	∅ 210	2300/2600 W

Voltage : 220-240V~

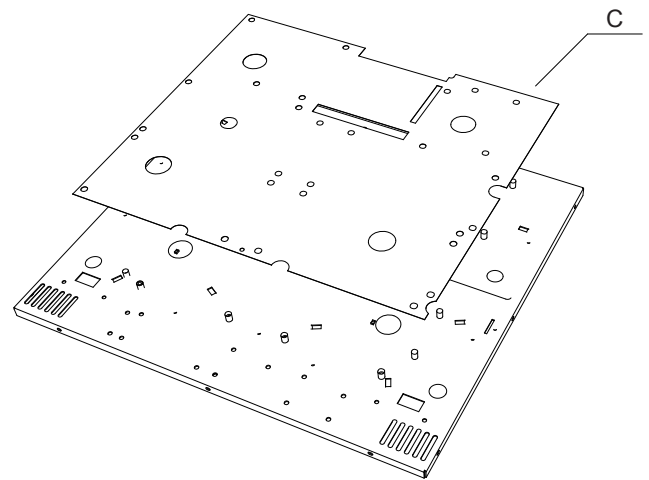
Frequency : 50/60Hz

Technical data

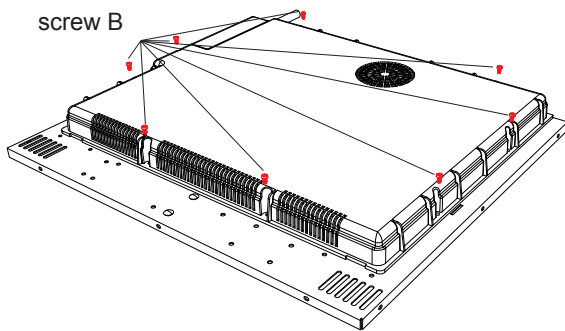
Model :C854I



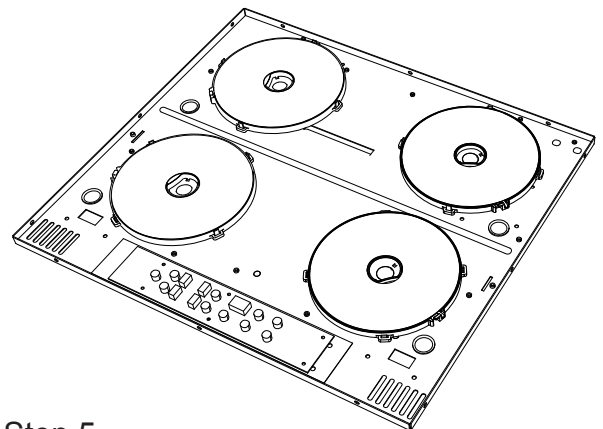
Step1:
remove the screw A around the base cover



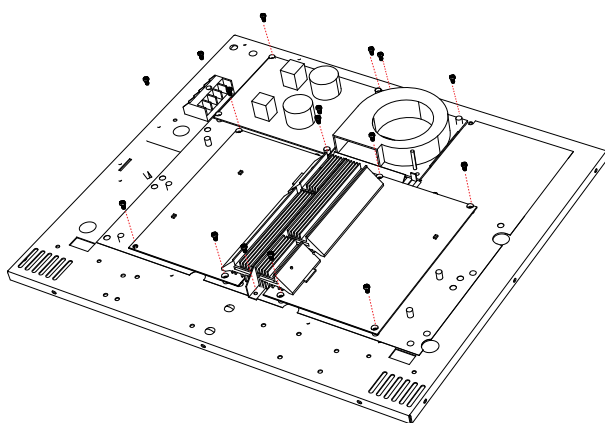
Step 4:
Remove C



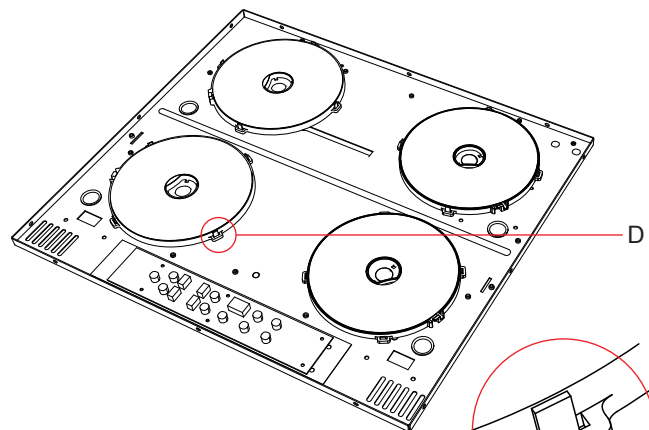
Step2:
remove the screw B



Step 5:
reserve the product



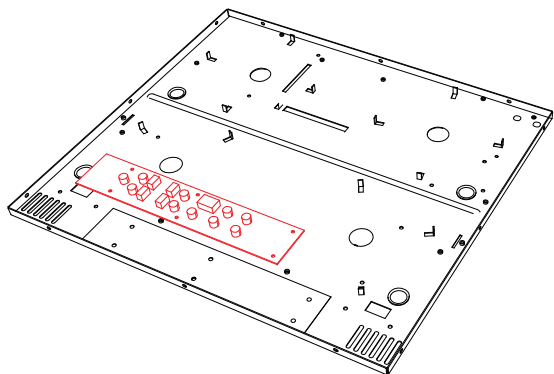
Step 3:
remove all the screws and wires



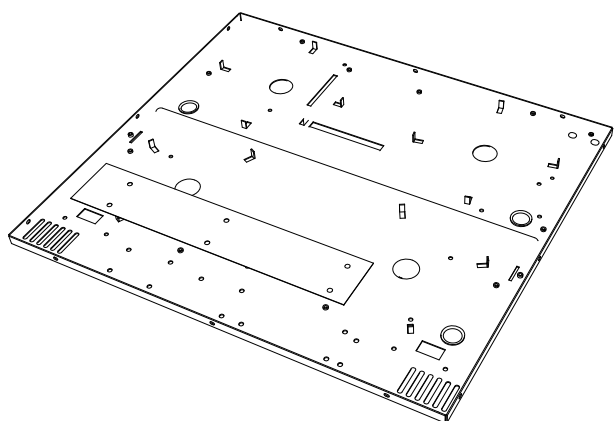
Step.6
to remove the induction coil, straighten
the buckle of D

Technical data

Model : C854I



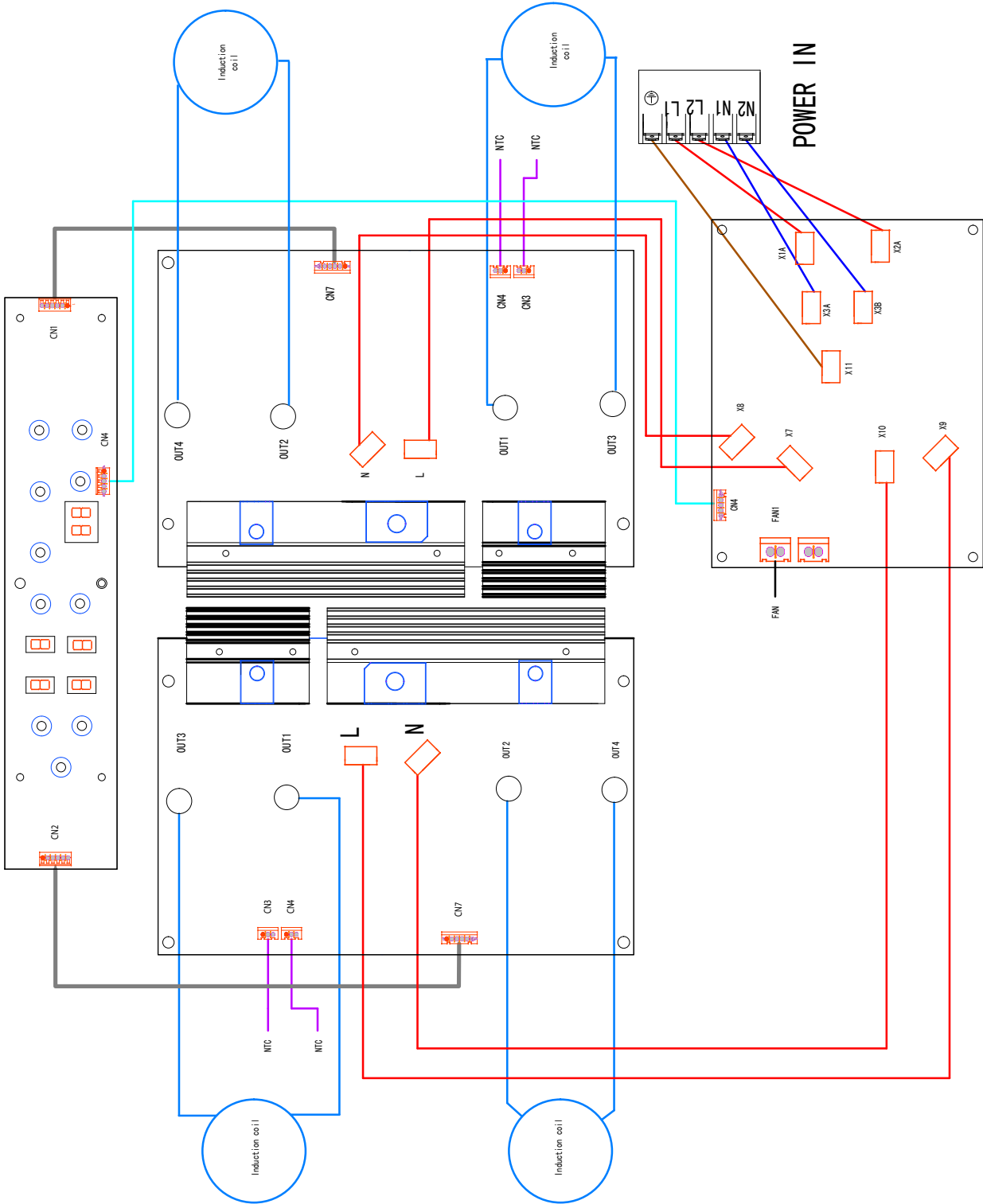
Step 7:
remove the display board



Step 8:
done

Technical data

Model : C854I



The induction hob is equipped with a self diagnostic function. With this test the technician is able to check the function of several components without disassembling or dismantling the hob from the working surface.

Troubleshooting

- 1) failure code occur during customer using.
- 2) Solution a is as following.
- 3) If the problem can't be settled by solution a, solution b can be used.

Failure code	Problem	Solution
E1/E2	Voltage irregularity.	Unit should operate normally after a few minutes and code will disappear from display.
E3/E4	High temperature of ceramic plate	Wait for temperature to return to normal. Push "ON/OFF" button to restart unit.
E5/E6	High temperature of hob	Wait for temperature to return to normal. Push "ON/OFF" button to restart unit.
		Check if the fan runs smoothly.Fan should be replaced by a new one if not work anymore.
F3/F4/F5/F6/F7/F8	Ceramic plate temperature sensor failure.	Check the connection or replace the ceramic plate temperature sensor.
F9/FA/FB/FC/FD/FE	IGBT temperature sensor failure.	Replace the power board.

Failure	Problem	Solution A	Solution B
The LED does not come on when unit is plugged in.	No power supplied.	Check to see if plug is secured tightly in outlet and that outlet is working.	
	The accessorial power board and the display board connected failure	Check the connection.	
	The accessorial power board is damaged.	Replace the accessorial power board	
	The display board is damaged.	Replace the display board.	
Some buttons can't work, or the LED display is not normal.	The display board is damaged.	Replace the display board.	
The Cooking Mode Indicator comes on, but heating does not start.	High temperature of the hob.	Ambient temperature may be too high.Air Intake or Air Vent may be blocked.	
	There is something wrong of the fan.	Check if the fan runs smoothly.Fan should be replaced by a new one if not work anymore.	
	The power board is damaged.	Replace the power board.	

Failure	Problem	Solution A	Solution B
Heating stops suddenly during operation and display “ <u>u</u> ”.	Pan Type is wrong.	Use the proper pot (refer to the instruction manual.)	Pan detection circuit is damaged, replace the power board.
	Pot diameter is too small		
	Cooker has overheated;	Unit is overheated.Wait	
		for temperature to return to normal. Push “ON/OFF” button to restart unit.	
Heating zones of the same side (Such as the first and the second zone) would display “ <u>u</u> ” .	The power board and the display board connected failure;	Check the connection.	
	The display board of communicate part is damaged.	Replace the display board.	
	The power board is damaged.	Replace the power board.	
Fan motor sounds abnormal.	The fan motor is damaged.	Replace the fan.	