



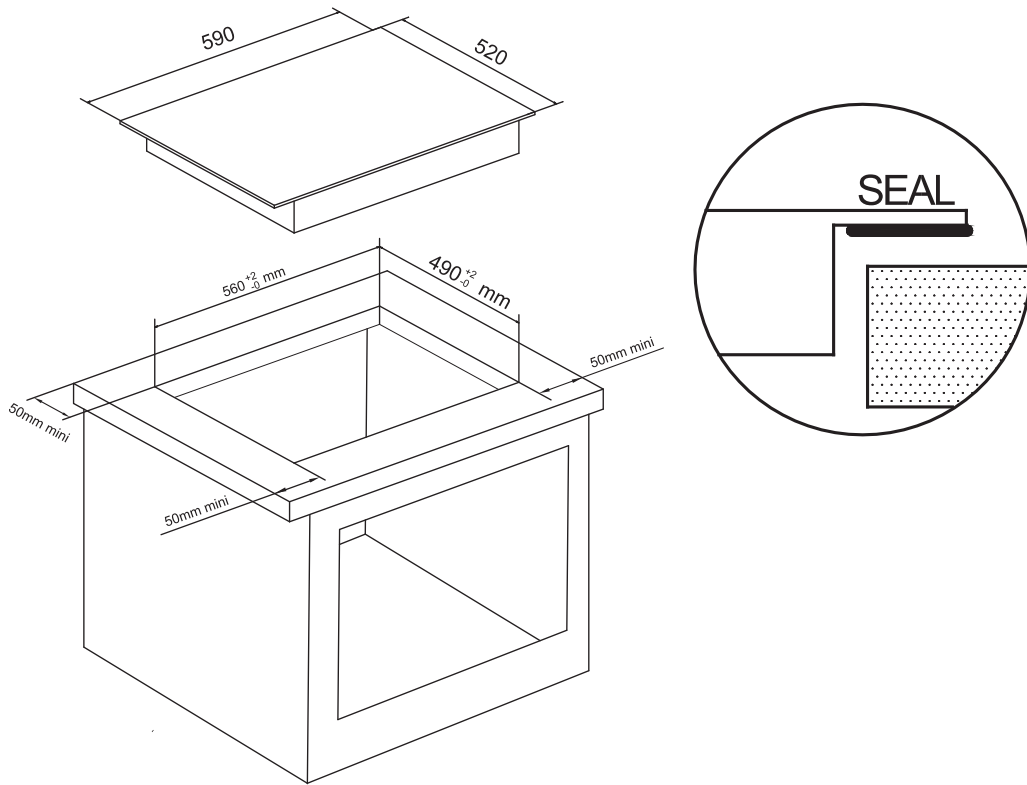
Model :

C840I

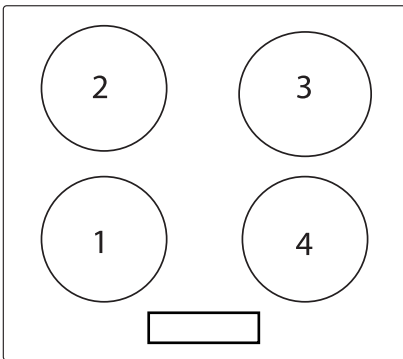
---

# Service Manual

## Induction hob



Model : C840I

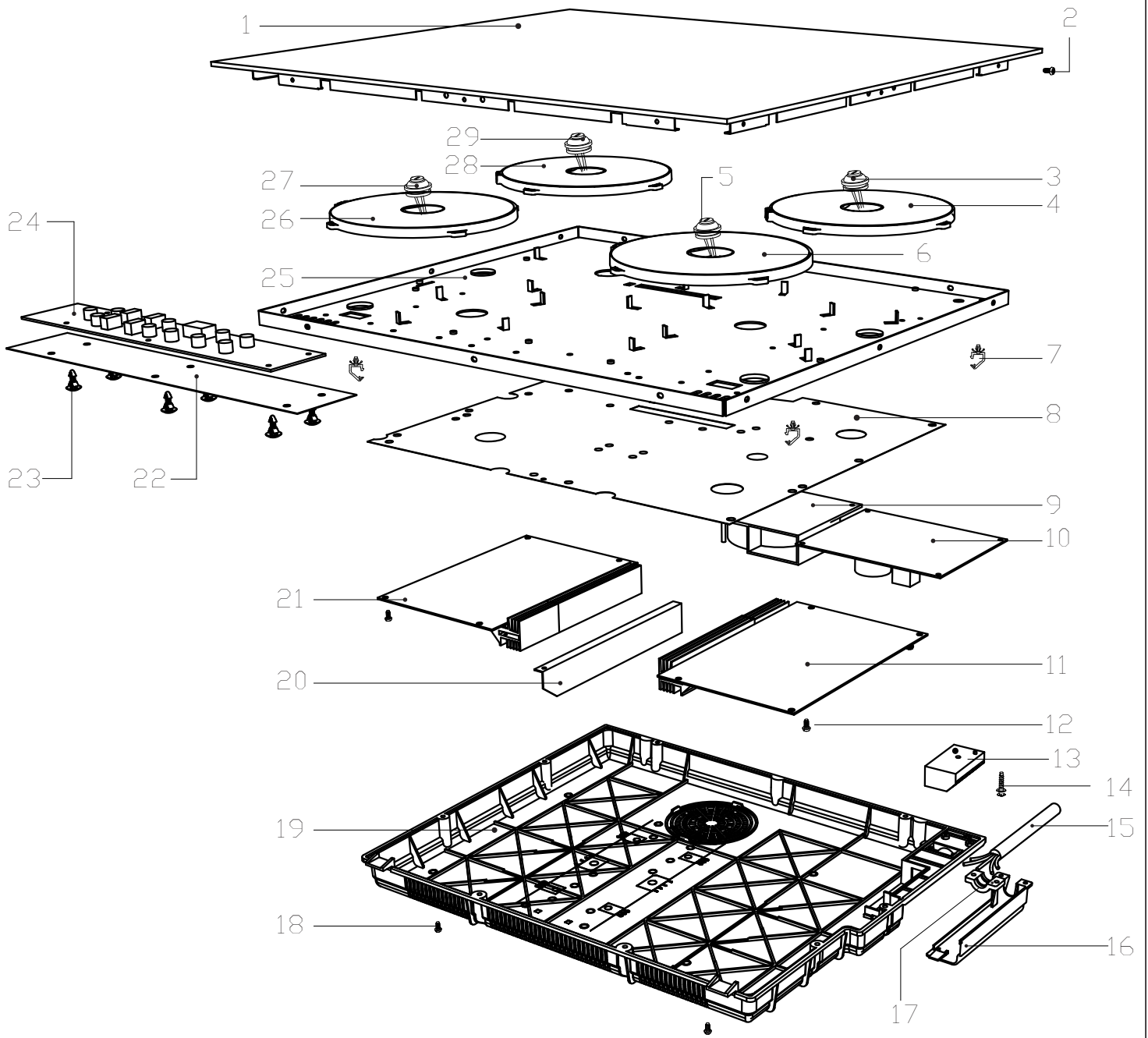


Heating zone	Size (mm)	Normal
1	∅ 180	1500 W
2	∅ 180	2000 W
3	∅ 180	2000 W
4	∅ 180	1500 W

Voltage : 220-240V~

Frequency : 50/60Hz

Model : C840I



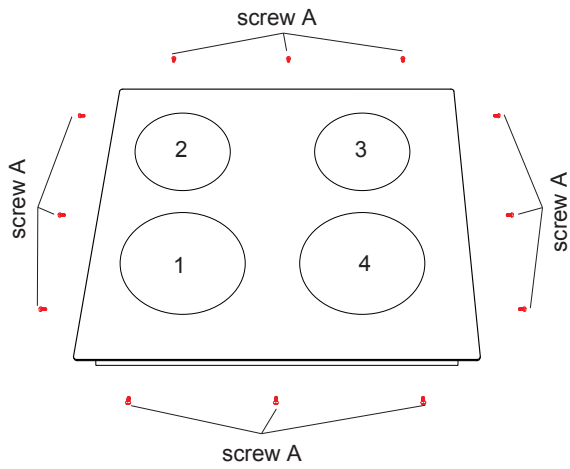
CODE	Qty	COLOR	
303206800036	2	RED/450mm	
303206800041	2	RED/150mm	
303206800159	2	RED	
303206800157	2	BLUE	
303206800158	1	YELLOW/GREEN	

Model : C840I

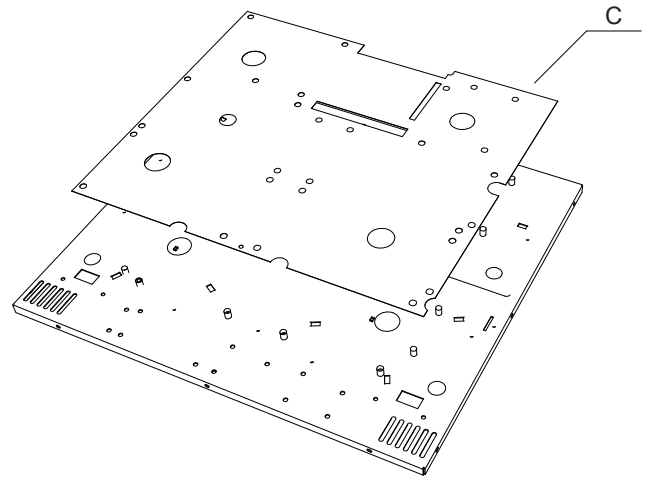
No.	Parts code	Parts names	Series No.
1	G-C840I	glass assembly	
2	301500101374	Screw	
3	541600200011	the ceramic plate temperature sensor	
4	542200000009	180 Coil groupware	
5	541600200011	the ceramic plate temperature sensor	
6	542200000011	180 Coil groupware	
7	303207300212	line clamp	
8	541700500008	isinglass flake B	
9	303208003019	Fan	
10	541500200005	accessorial power	
11	303203101364	Power board	
12	301500101194	Screw	
13	541810000002	junction port holder	
14	301500101200	Screw+gasket	
15	541800000002	Power Cord	
16	541300600009	power cord case cover	
17	303207300213	fixed board	
18	301500100954	Screw	
19	303207300216	Base	
20	303207300215	windshield insulating flake	
21	303203101364	Power board	
22	541700300019	isinglass flake A	
23	303207300211	knighthead	
24	541500100017	Display board	
25	541400300022	radiator board	
26	542200000011	180 Coil groupware	
27	541600200011	the ceramic plate temperature sensor	
28	542200000009	180 Coil groupware	
29	541600200010	the ceramic plate temperature sensor	

12966000000014 Fixing plate &amp; screw

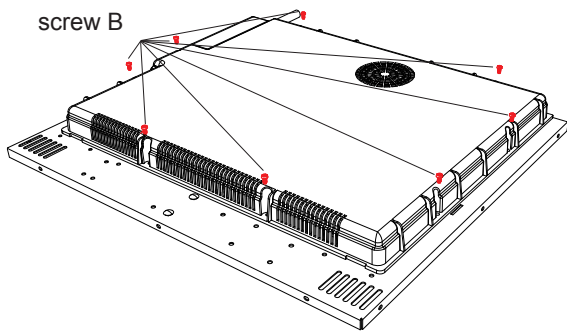
Model : C840I



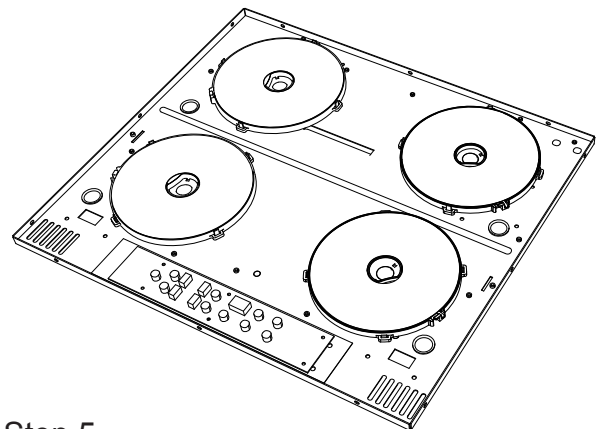
Step1:  
remove the screw A around the base cover



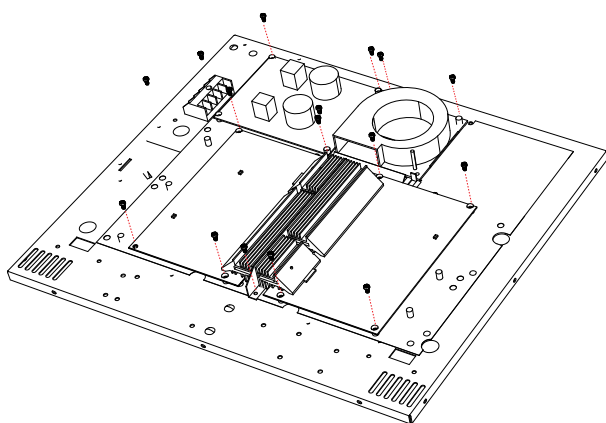
Step 4:  
Remove C



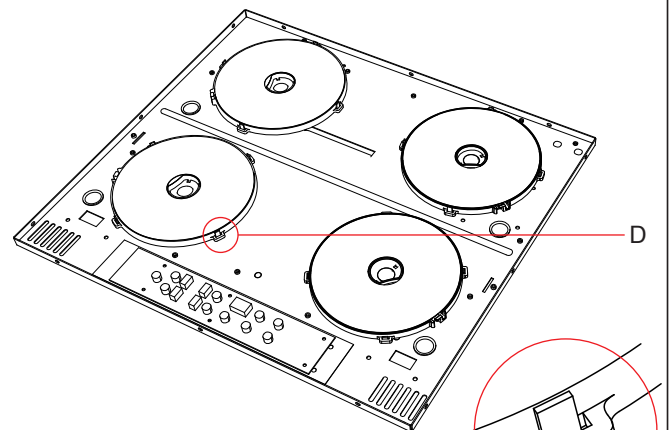
Step2:  
remove the screw B



Step 5:  
reserve the product

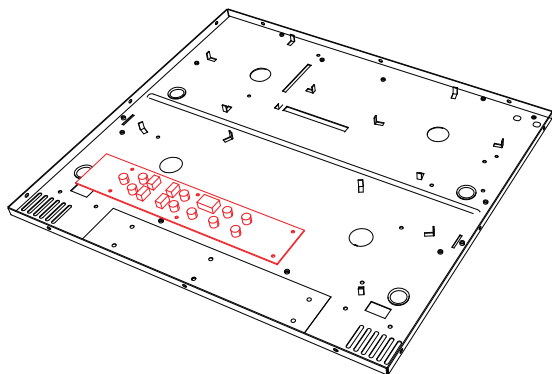


Step 3:  
remove all the screws and wires

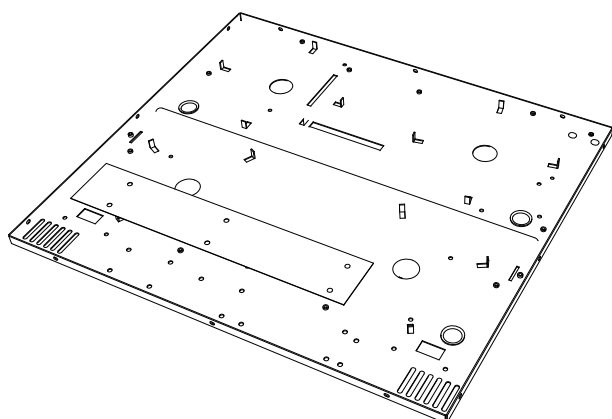


Step.6  
to remove the induction coil, straighten  
the buckle of D

Model : C840I

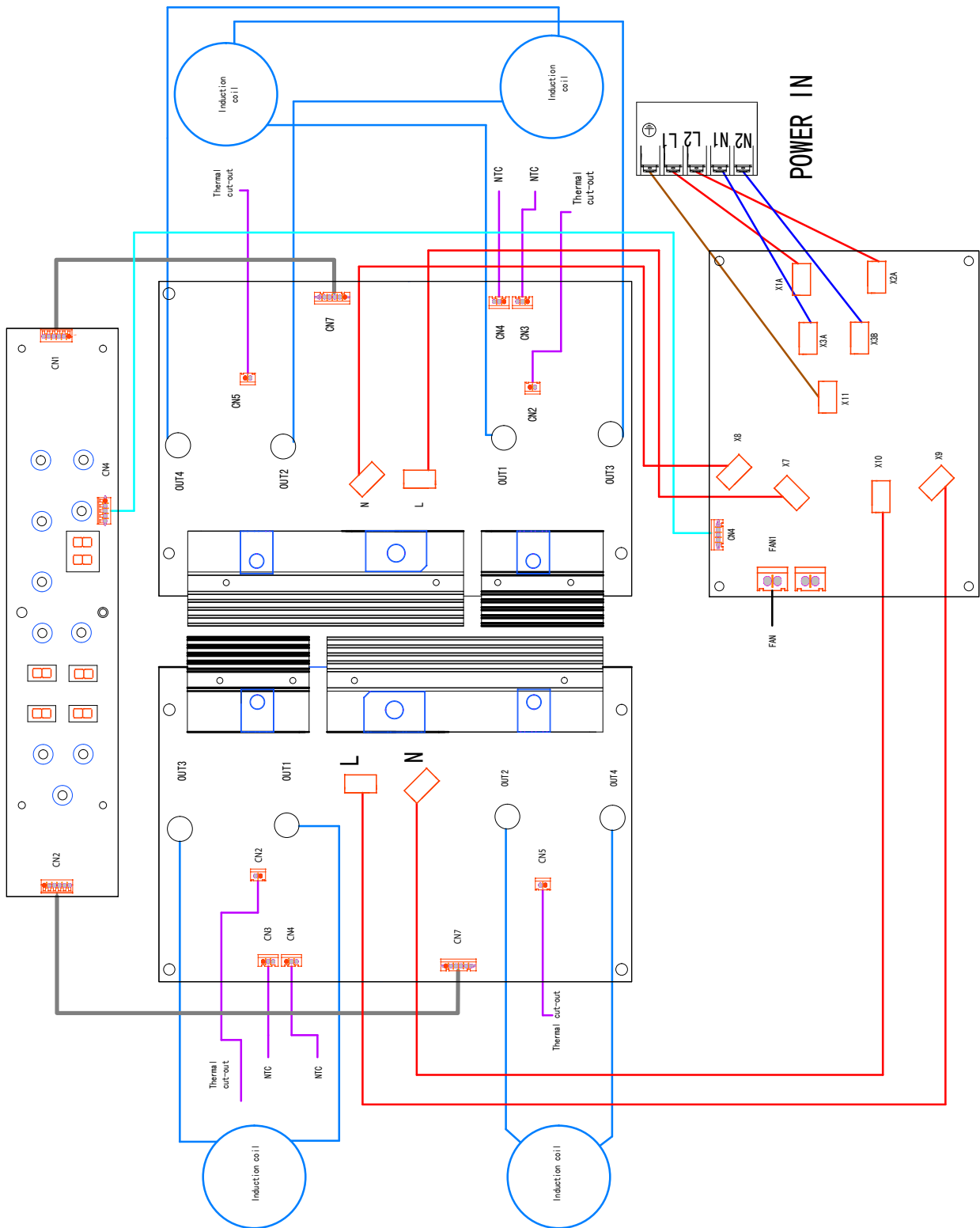


Step 7:  
remove the display board



Step 8:  
done

Model : C840I



The induction hob is equipped with a self diagnostic function. With this test the technician is able to check the function of several components without disassembling or dismantling the hob from the working surface.

#### Troubleshooting

- 1) failure code occur during customer using.
- 2) Solution a is as following.
- 3) If the problem can't be settled by solution a, solution b can be used.

Failure code	Problem	Solution
E1/E2	Voltage irregularity.	Unit should operate normally after a few minutes and code will disappear from display.
E3/E4	High temperature of ceramic plate	Wait for temperature to return to normal. Push "ON/OFF" button to restart unit.
E5/E6	High temperature of hob	Wait for temperature to return to normal. Push "ON/OFF" button to restart unit.
		Check if the fan runs smoothly.Fan should be replaced by a new one if not work anymore.
F3/F4/F5/F6/F7/F8	Ceramic plate temperature sensor failure.	Check the connection or replace the ceramic plate temperature sensor.
F9/FA/FB/FC/FD/FE	IGBT temperature sensor failure.	Replace the power board.

Failure	Problem	Solution A	Solution B
The LED does not come on when unit is plugged in.	No power supplied.	Check to see if plug is secured tightly in outlet and that outlet is working.	
	The accessorial power board and the display board connected failure	Check the connection.	
	The accessorial power board is damaged.	Replace the accessorial power board	
	The display board is damaged.	Replace the display board.	
Some buttons can't work, or the LED display is not normal.	The display board is damaged.	Replace the display board.	
The Cooking Mode Indicator comes on, but heating does not start.	High temperature of the hob.	Ambient temperature may be too high.Air Intake or Air Vent may be blocked.	
	There is something wrong of the fan.	Check if the fan runs smoothly.Fan should be replaced by a new one if not work anymore.	
	The power board is damaged.	Replace the power board.	

Failure	Problem	Solution A	Solution B
Heating stops suddenly during operation and display “ <u>u</u> ”.	Pan Type is wrong.	Use the proper pot (refer to the instruction manual.)	Pan detection circuit is damaged, replace the power board.
	Pot diameter is too small		
	Cooker has overheated;	Unit is overheated.Wait	
		for temperature to return to normal. Push “ON/OFF” button to restart unit.	
Heating zones of the same side ( Such as the first and the second zone ) would display “ <u>u</u> ” .	The power board and the display board connected failure;	Check the connection.	
	The display board of communicate part is damaged.	Replace the display board.	
	The power board is damaged.	Replace the power board.	
Fan motor sounds abnormal.	The fan motor is damaged.	Replace the fan.	