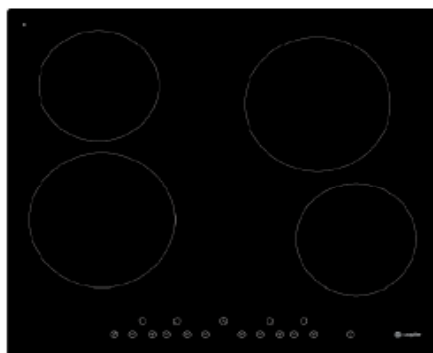




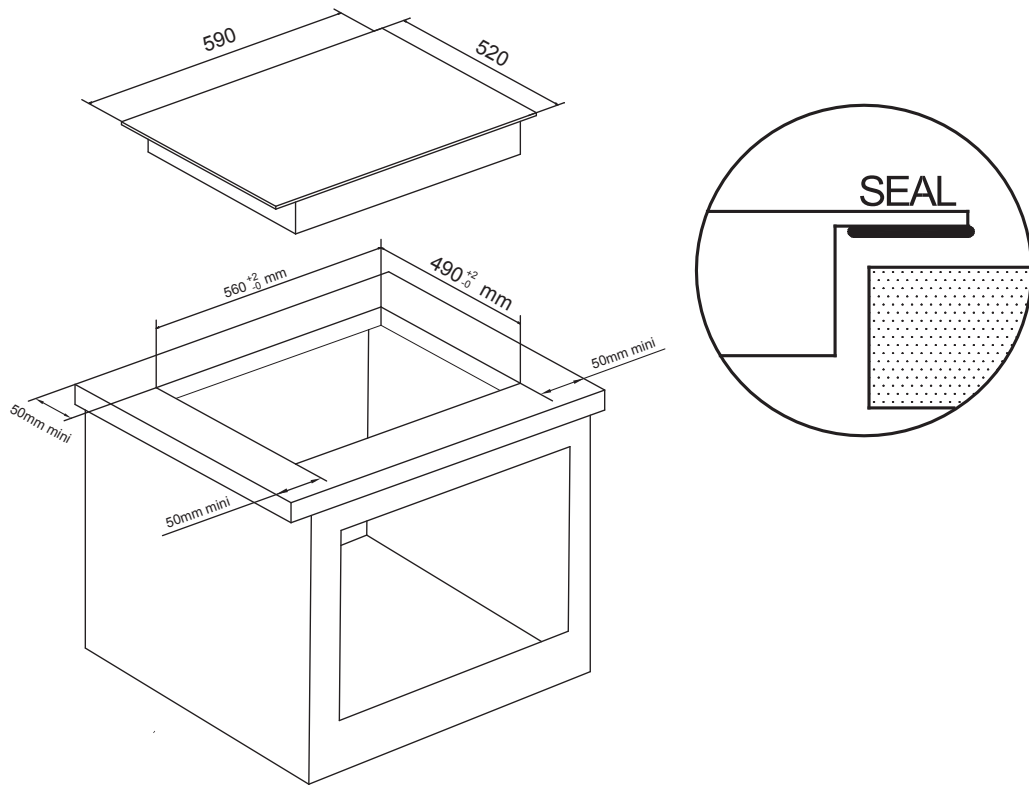
C814C

Caple 60cm Ceramic hob

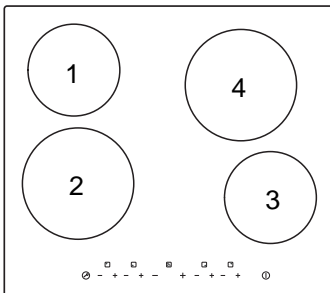


Technical information

Technical data



Model : C814C



Heating zone	1	2	3	4
Size (mm)	ø 165	ø 200	ø 165	ø 200
Power	1200 W	1800 W	1200 W	1800 W

Voltage : 220-240V~

Frequency: 50/60Hz

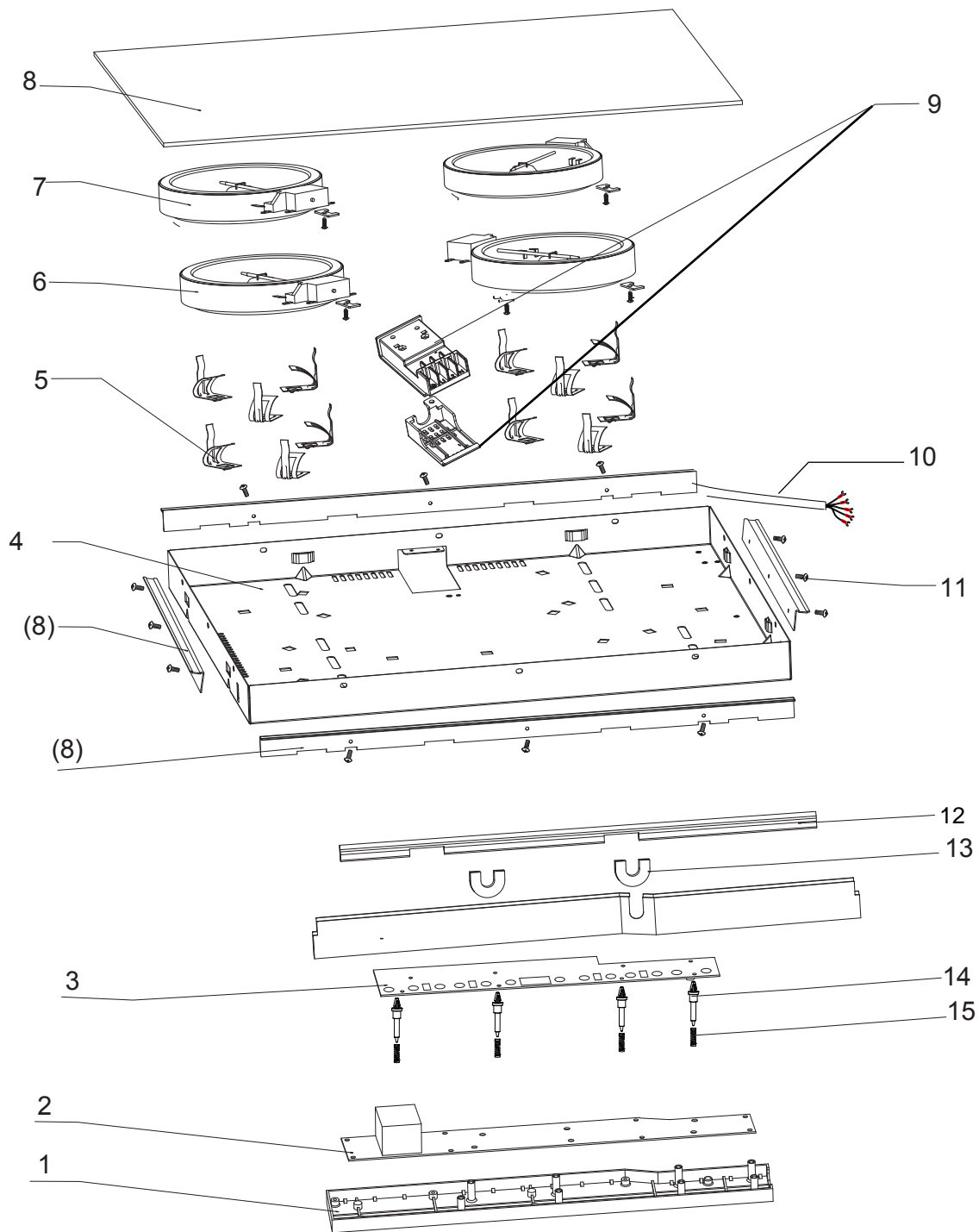
Spare part list

Model : C814C

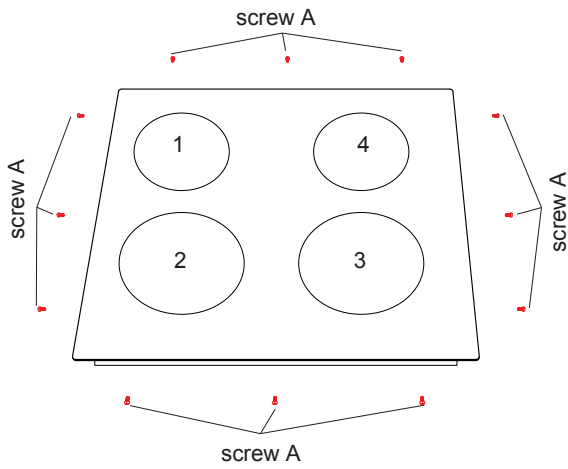
C814C				
No.	Parts code	Parts names	QTY	Series No.
1	12166100000020	Inverter Base	1	
2	17166100000007	main control board assembly	1	
3	17166100000218	display board assembly	1	
4	12266100000045	base cover	1	
5	12266100000012	spring bracket	12	
6	17466100000015	single loop hob(200mm)	2	
7	17466100000033	single loop hob(165mm)	2	
8	12566000A06782 + 12966100000014	Glass assembly	1	
9	17466000000056	Junction box	1	
10	17466000000228	power cord	1	
11	11303119000006	Screw	11	
12	12666100000002	silicone sealed strip	1	
13	12666100000013	silicone sheath	2	
14	12166100000016	support	4	
15	12966000000049	spring	4	

Exploded view

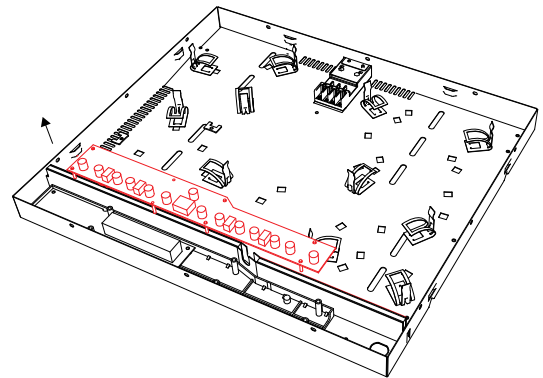
Model : C814C



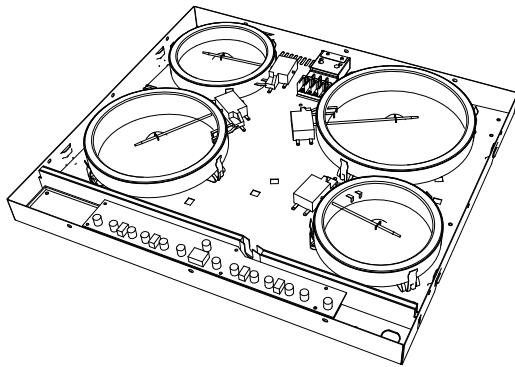
Technical data



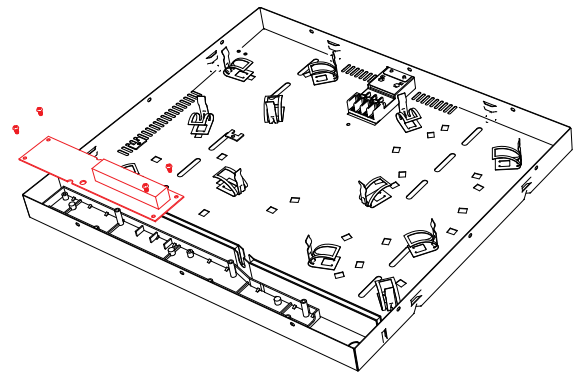
Step1 :
remove the screw A around the base cover



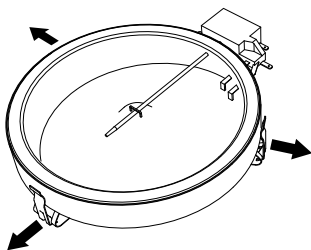
Step 4:
remove the display board



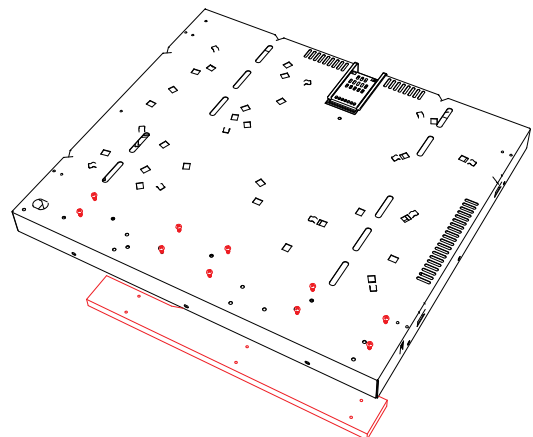
Step2:
remove the wires



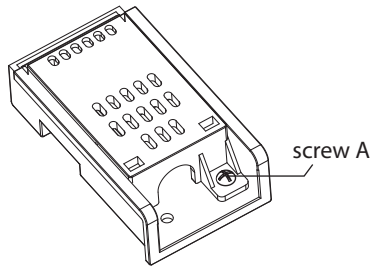
Step 5:
remove the power board



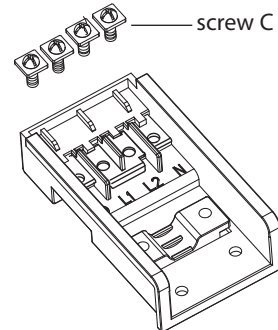
Step 3:
open the bracket and remove the heating element



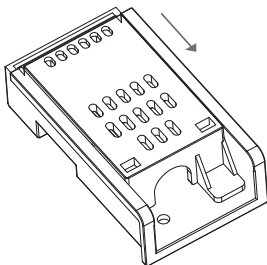
Step 6:
to remove the display board fixing box,
reverse the base and remove the screws



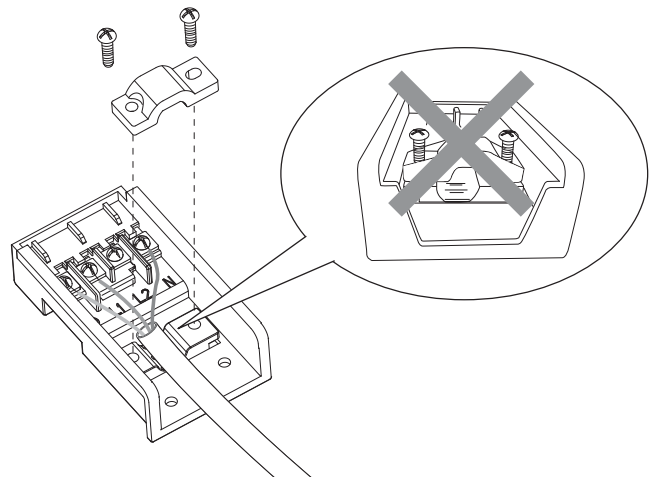
1. Remove the screw A.



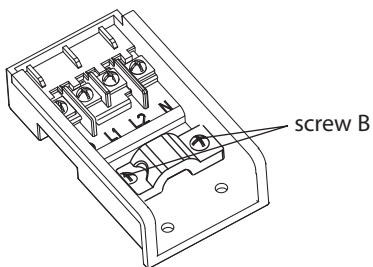
4. Remove the 4 screws C in the terminal box and insert the power cord at the connection.



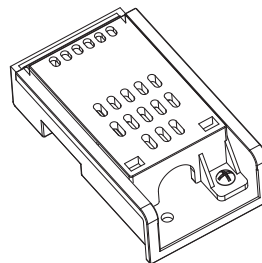
2. Push the top plate back and then lift it up.



5. Assemble the cable clamp, be aware that the ellipse hole on cable clamp must match the ellipse hole on.



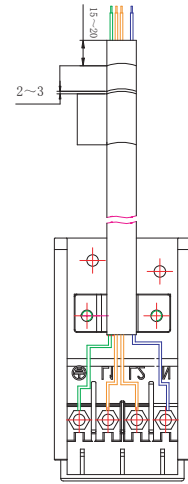
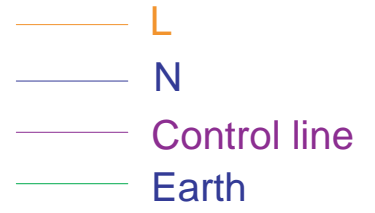
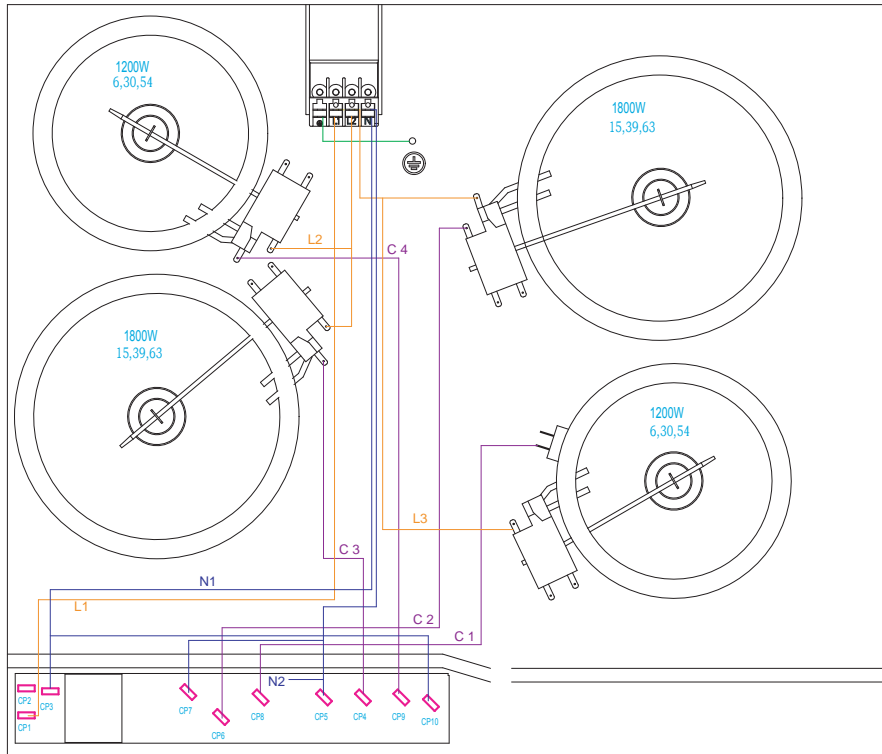
3. Remove the 2 screws B.



6. Fix the top plate.

Technical data

Model: C814C



Hints and Tips

Failure	Problem	Solution
After power is supplied, the buttons, the LED and the buzzer can't work.	Connection failure	Check the connection.
	The power board is damaged.	Replace the power board.
	The display board is damaged.	Replace the display board.
After power is supplied, some of the buttons can't work, but the LED and the buzzer works normally.	The display board is damaged.	Replace the display board.
After power is supplied, the buttons, LED, and buzzer in the display board work normally. But the stoves don't work.	Connection failure	Check the connection.
	The power board is damaged.	Replace the power board.
	All stoves are damaged.	Replace the stoves.
Some staves don't work, but the others work normally.	Connection failure	Check the connection.
	The power board is damaged.	Replace the power board.
	Stoves are damaged.	Replace the stoves.
	High temperature of the stoves.	Restart when the staves cool down.