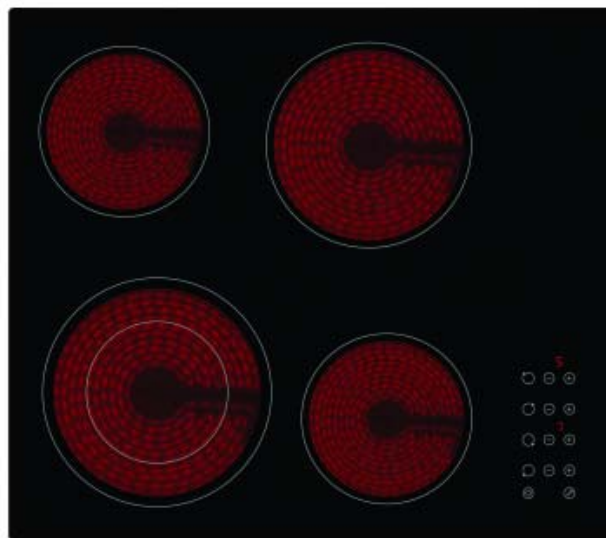




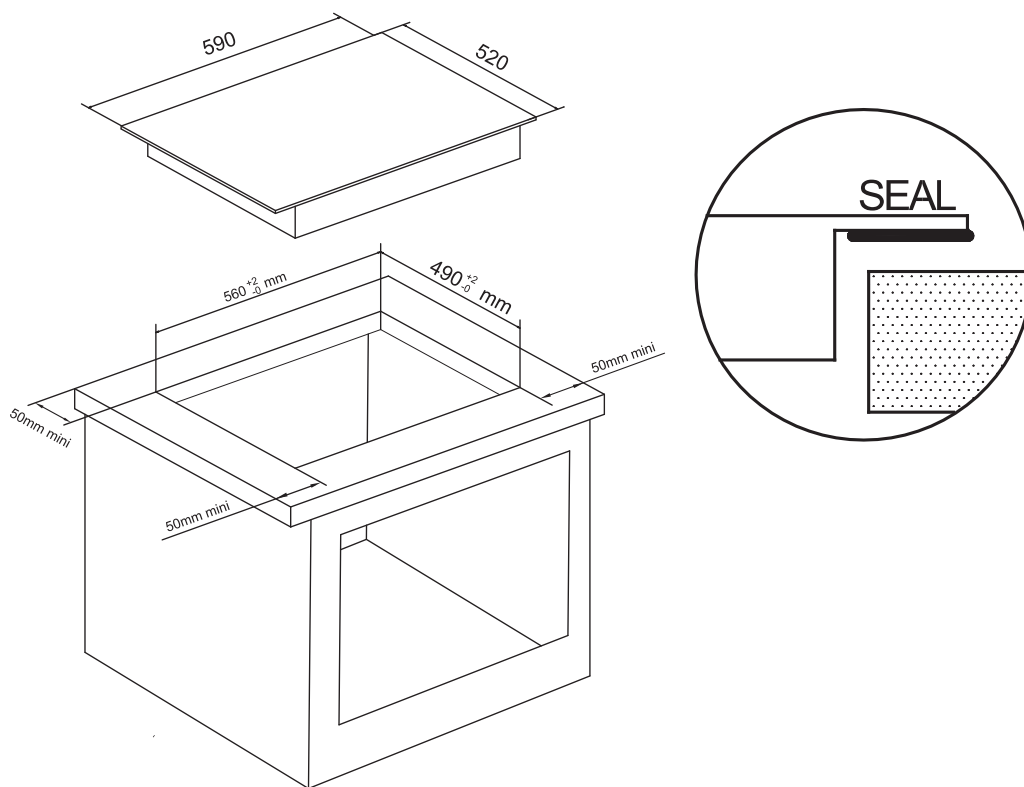
C813C

Caple 60cm Touch Control Ceramic

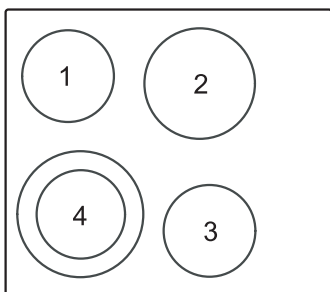


Technical information

Technical data



Model: C813C



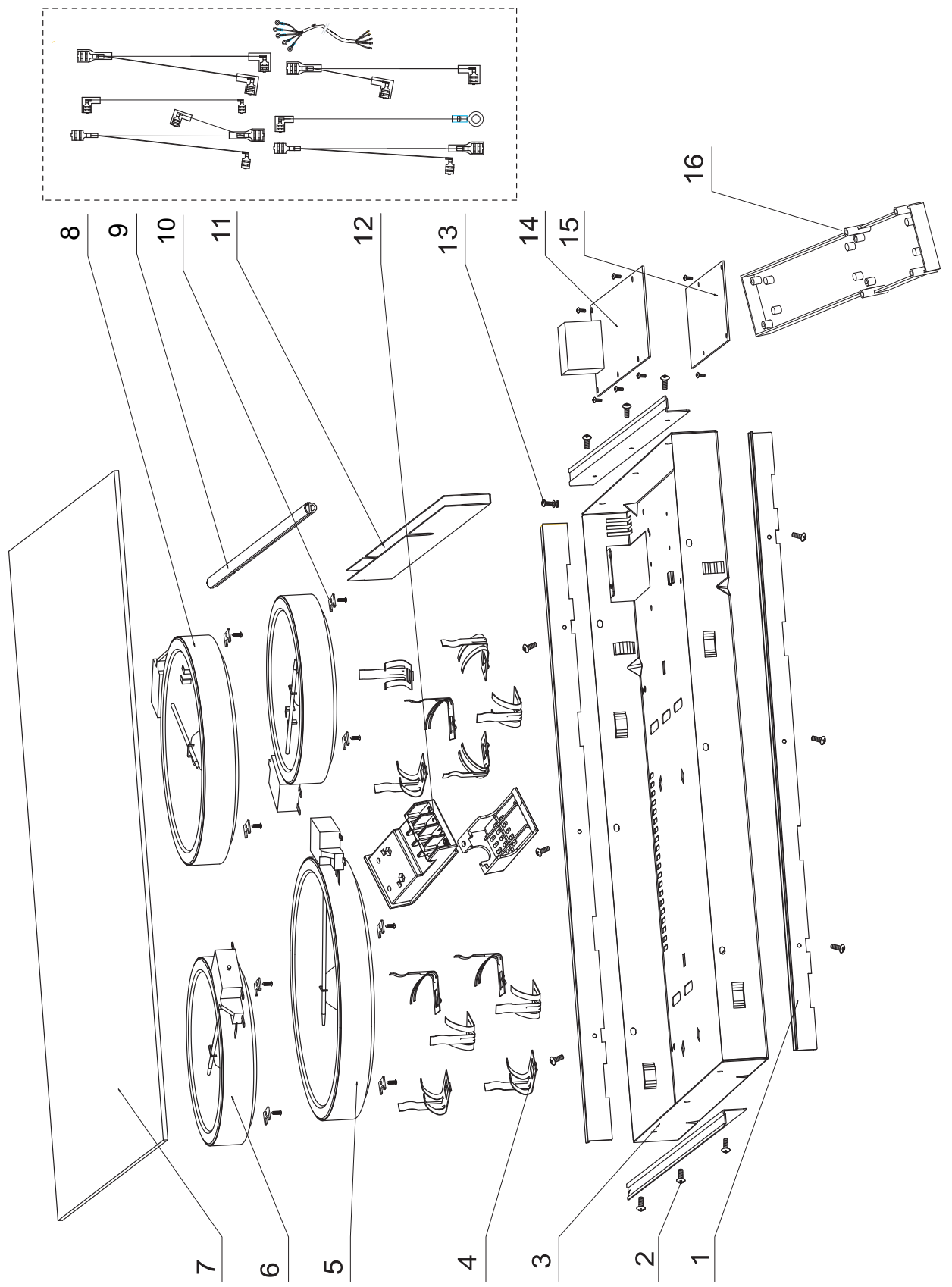
Heating zone	1	2	3	4
Size (mm)	ø 165	ø 200	ø 165	ø 230
Power	1200 W	1800 W	1200 W	1000/2200W

Voltage : 220-240V~

Frequency: 50/60Hz

Exploded view

Model: C813C

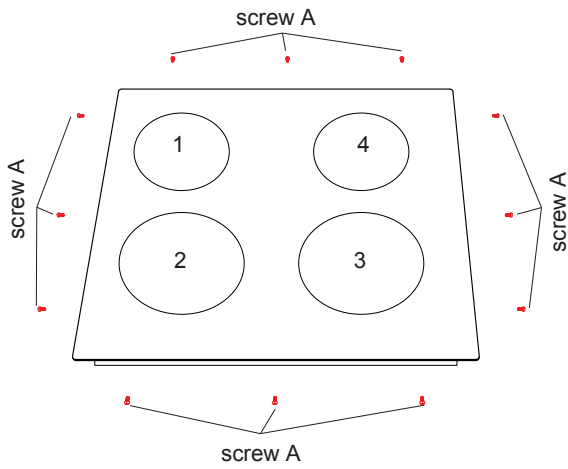


Spare part list

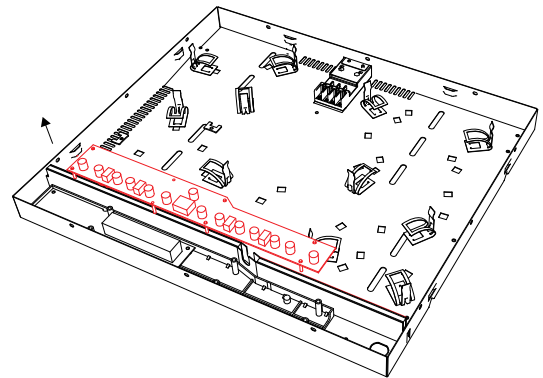
Model: C813C

No.	Parts code	Parts names	QTY	Series No.
1、 7	G-C813C	glass assembly	1	
2	301500101197	screw	13	
3、 11	541410000007	base cover	1	
4	541400200002	spring bracket	12	
5	303203501036	double loop hob(230mm)	1	
6	303203501145	single loop hob(165mm)	2	
8	303203501144	single loop hob(200mm)	1	
9	303207900037	silicone sealed strip	1	
10	541400400002	hob fixer	12	
12	303207300159	junction box	1	
13	301500101202	screw	1	
14	303203101401	main control board assembly	1	
15	303203101403	display board assembly	1	
16	303207300292	Inverter Base	1	

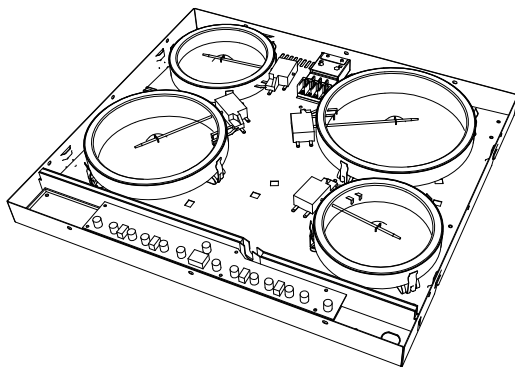
Technical data



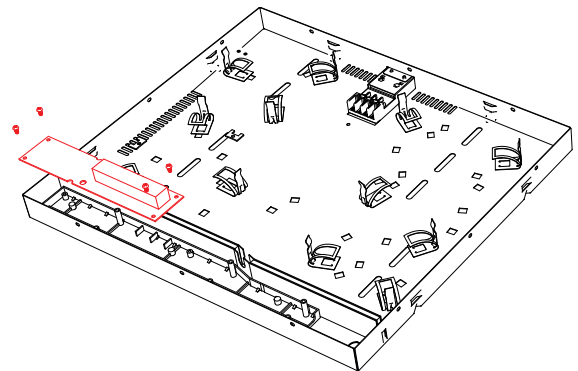
Step1 :
remove the screw A around the base cover



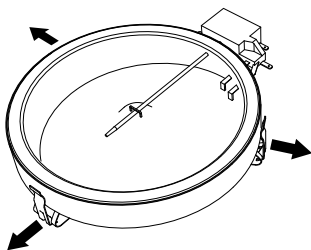
Step 4:
remove the display board



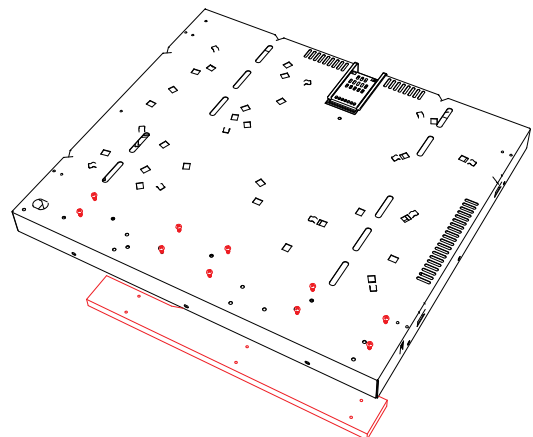
Step2:
remove the wires



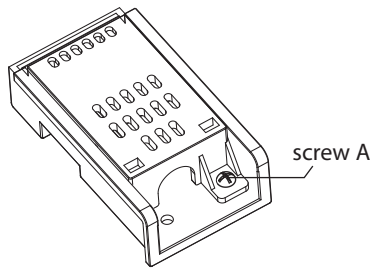
Step 5:
remove the power board



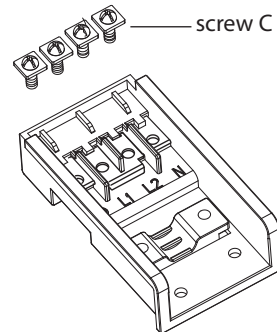
Step 3:
open the bracket and remove the heating element



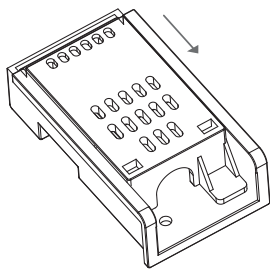
Step 6:
to remove the display board fixing box,
reverse the base and remove the screws



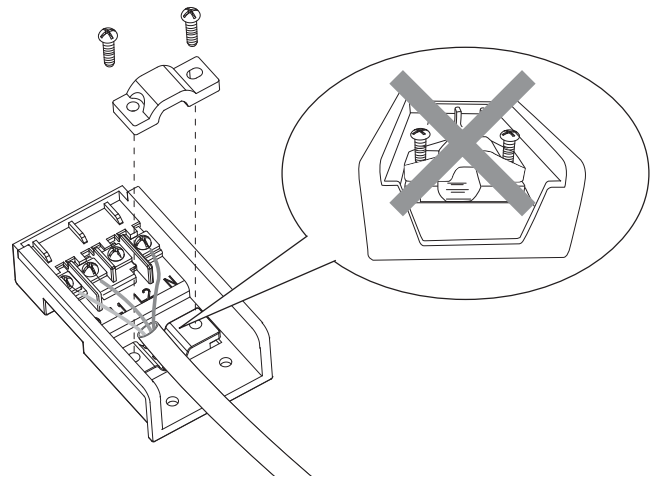
1. Remove the screw A.



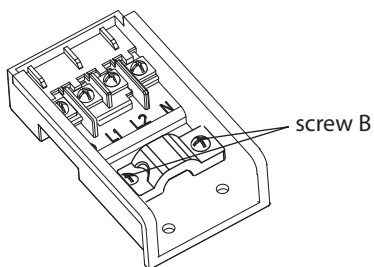
4. Remove the 4 screws C in the terminal box and insert the power cord at the connection.



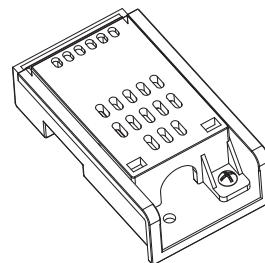
2. Push the top plate back and then lift it up.



5. Assemble the cable clamp, be aware that the ellipse hole on cable clamp must match the ellipse hole on.



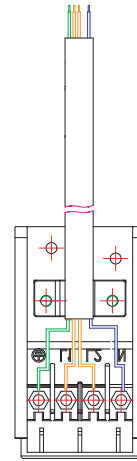
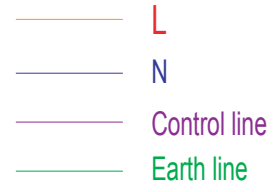
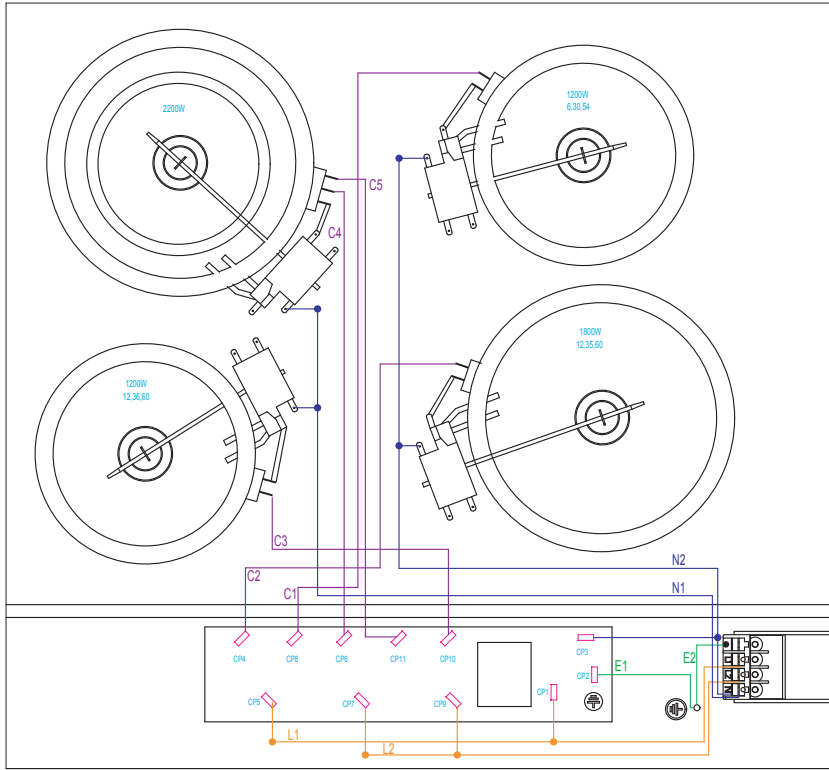
3. Remove the 2 screws B.



6. Fix the top plate.

Wiring diagram

Model: C813C



Hints and Tips

Failure	Problem	Solution
After power is supplied, the buttons, the LED and the buzzer can't work.	Connection failure	Check the connection.
	The power board is damaged.	Replace the power board.
	The display board is damaged.	Replace the display board.
After power is supplied, some of the buttons can't work, but the LED and the buzzer works normally.	The display board is damaged.	Replace the display board.
After power is supplied, the buttons, LED, and buzzer in the display board work normally. But the stoves don't work.	Connection failure	Check the connection.
	The power board is damaged.	Replace the power board.
	All stoves are damaged.	Replace the stoves.
Some staves don't work, but the others work normally.	Connection failure	Check the connection.
	The power board is damaged.	Replace the power board.
	Stoves are damaged.	Replace the stoves.
	High temperature of the stoves.	Restart when the staves cool down.