



# C807C

Caple ceramic hob

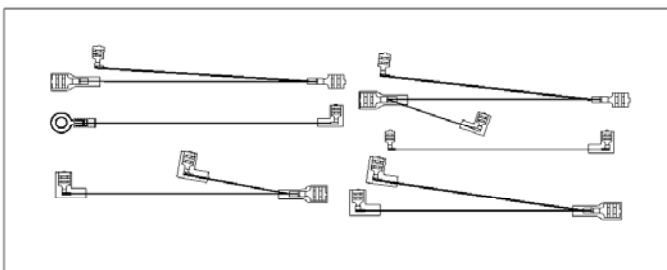
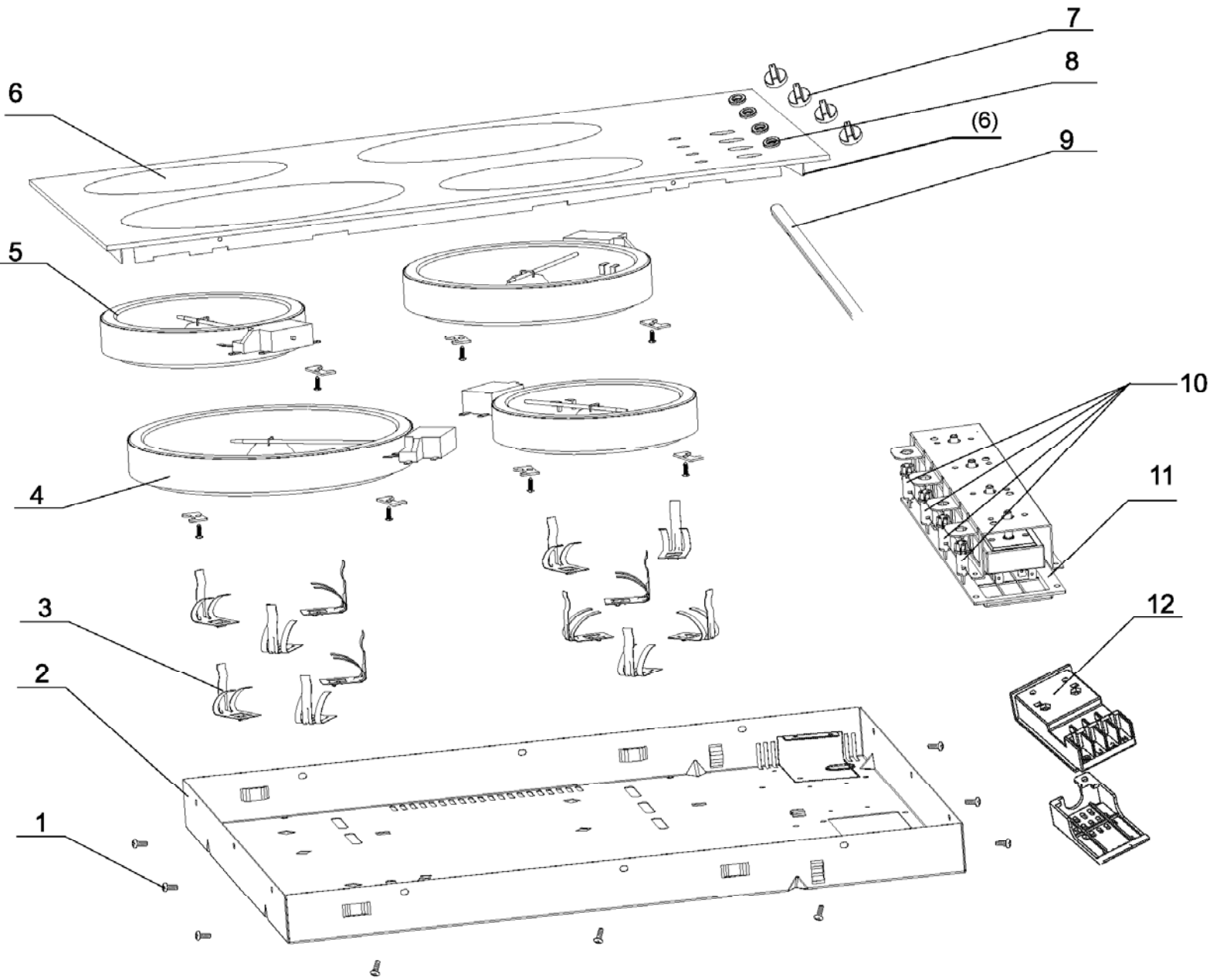


**Technical information**



# C807C

Caple ceramic hob





## C807C - Caple ceramic hob

Item	Part Code	Description	Qty
1	11303119000006	Screw	12
2	12266100000051	base	1
3	12266100000012	spring bracket	12
4	17466100000015	single loop hob(200mm)EGO	2
5	17466100000033	single loop hob(165mm) EGO	2
6A	12566100000670	glass assembly	1
6B	12966100000014	glass assembly	1
7	12366200001194	Knob	4
8	12666100000001	silicone ring	4
9	12666100000008	silicone sealed strip	1
10A	17466100000040	Energy adjuster	4
10B	12266100000007	knob bracket	1
10C	17466100000045	Pilot lamp assembly	1
11	12166100000019	Knob base	1
12	17466000000056	junction box	1