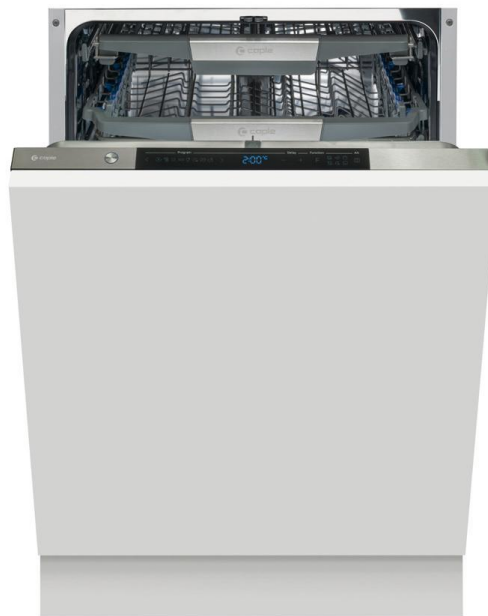




# Dishwasher Instruction Manual

# DI652



Contact Cape on 0117 938 7420 for spare parts or [www.cape.co.uk](http://www.cape.co.uk)





## CONTENTS

---

Warnings	3
Warranty	8
Product Overview	9
Control Panel	9
Dishwasher Features	12
Prior to Using Your Dishwasher for the First Time	13
Filling the Rinse Aid Dispenser	16
Filling the Detergent Dispenser	18
Preparing and Loading Dishes	19
Loading the Baskets	26
Programming the Dishwasher	28
Maintenance and Cleaning	30
Caring for the Dishwasher	33
Installation Instructions	34
Water Supply and Drain	35
Connection of Drain Hoses	36
Position the Appliance	37
Free Standing Installation	37
Built-In Installation	38
Troubleshooting Tips	43
Error Codes	46
Technical Information	47
Product Fiche	48
Caple Contact Details	52



## **SAFETY INSTRUCTIONS**

Read carefully all the instructions contained in this manual. It provides you with important information regarding the safe installation, use and maintenance of the appliance as well as useful advice for getting the best out of your dishwasher. Keep this booklet in a safe place for future reference. After removing the packing, check that the appliance is not damaged in any way.

Be careful not to leave the packing materials (plastic sheeting, expanded polystyrene etc.) where children can get at them, as they can be dangerous.

### **WARNINGS:**

- Installation and repair can only be carried out by a qualified technician.
- This product is not designed for commercial use, it is a household appliance only. It is not intended to be used in:
  - Staff kitchen areas in shops, offices and other working environments.
  - Bed and breakfast type environments.
  - By clients in hotels, motels and other residential type environments.
- Packaging material could be dangerous for children.
- This appliance is for indoor household use only.
- To protect against the risk of electrical shock, do not immerse the unit, cord or plug in water or other liquid.





G

- This appliance can be used by children aged from 8 years and above and persons with reduced physical, sensory or mental capabilities or lack of experience and knowledge if they have been given supervision or instruction concerning use of the appliance in a safe way and understand the hazards involved. Children shall not play with the appliance. Cleaning and user maintenance shall not be made by children without supervision.
- This appliance is not intended for use by persons (including children) with reduced physical, sensory or mental capabilities, or lack of experience and knowledge, unless they have been given supervision or instruction concerning use of the appliance by a person responsible for their safety.
- Please unplug before cleaning or performing maintenance on the appliance.
- Use a slightly moistened soft cloth with mild soap, and then use a dry cloth to wipe it again.
- This appliance must be earthed. In the event of a malfunction or breakdown, earthing will reduce the risk of an electric shock by providing a path of less resistance of electric current. This appliance is equipped with a cord having an equipment-earthing conductor and a grounding plug.
- The plug must be plugged into an appropriate outlet that is installed and earthed in accordance with all local codes and regulations.
- Improper connection of the equipment-earthing conductor can result in the risk of an electric shock.





- Check with a qualified electrician or Caple service representative if you are in doubt whether the appliance is properly grounded.
- Do not modify the plug provided with the appliance, if it does not fit the outlet.
- Have a proper outlet installed by a qualified electrician.
- Do not abuse, sit on, or stand on the door or dish rack of the dishwasher.
- Do not operate your dishwasher unless all enclosure panels are properly in place.
- Open the door very carefully when the dishwasher is operating, there is a risk of water squirting out.
- Do not place any heavy objects on or stand on the door when it is open. The appliance could tip forward.
- When loading items to be washed:
  - Locate sharp items so that they are not likely to damage the door seal.
  - Warning: Knives and other utensils with sharp points must be loaded in the basket with their points down or placed in a horizontal position.
- Check that the detergent powder is empty after completion of the wash cycle.
- Some dishwasher detergents are strongly alkaline. They can be extremely dangerous if swallowed. Avoid contact with the skin and eyes and keep children away from the dishwasher when the door is open.
- Do not wash plastic items unless they are marked dishwasher safe or the equivalent.





G

- For plastic items not marked, check the manufacturer's recommendations.
- Use only detergent and rinse additives designed for an automatic dishwasher.
- Never use soap, laundry detergent, or hand washing detergent in your dishwasher.
- The door should not be left open, since this could increase the risk of tripping.
- If the supply cord is damaged, it must be replaced by Caple, its service agent or a similarly qualified person in order to avoid a hazard.
- During installation, the power supply must not be excessively or dangerously bent or flattened.
- Do not tamper with controls.
- The appliance is to be connected to the water mains using new hose sets and that old hose-sets should not be reused.
- The maximum number of place settings to be washed is 14.
- The maximum permissible inlet water pressure is 1MPa.
- The minimum permissible inlet water pressure is 0.04MPa.
- Children should be supervised to ensure that they do not play with the appliance.
- The dishwasher must not be installed under a hob.





## WARNINGS:

- Packaging material could be dangerous for children.
- For disposing of package and the appliance please go to a recycling centre. Therefore cut off the power supply cable and make the door closing device unusable.
- Cardboard packaging is manufactured from recycled paper and should be disposed in the waste paper collection for recycling.
- By ensuring this product is disposed of correctly, you will help prevent potential negative consequences for the environment and human health, which could otherwise be caused by inappropriate waste handling of this product.
- For more detailed information about recycling of this product, please contact your local council office and your household waste disposal service.
- **DISPOSAL:** Do not dispose this product as unsorted municipal waste. Collection of such waste separately for special treatment is necessary.



G



## ENVIRONMENTAL PROTECTION

Waste electrical products should not be disposed of with household waste. Please recycle where facilities exist. Check with your Local Authority or retailer for recycling advice. This appliance is marked according to the European Directive on Waste Electrical and Electronic Equipment (WEEE). By ensuring this product is disposed of correctly, you will help prevent potential negative consequences for the environment and human health, which could otherwise be caused by inappropriate waste handling of this product. The symbol on the product indicates that this product may not be treated as household waste. Instead it shall be handed over to the applicable collection point for the recycling of electrical and electronic equipment. Disposal must be carried out in accordance with local environmental regulations for waste disposal.

For more detailed information about treatment, recovery and recycling of this product, please contact your local council, your household waste disposal service or the retailer where you purchased the product.



## CE DECLARATIONS OF CONFORMITY



This appliance has been manufactured to the strictest standards and complies with all applicable legislation, Low Voltage Directive (LVD) and Electromagnetic Compatibility (EMC).



## WARRANTY:

Your new appliance is covered by warranty. The warranty card is enclosed - if it is missing, you must provide the following information to your retailer in order to receive a replacement: date of purchase, model and serial number (placed on the inside of the appliance storage drawer).

Registration can also be completed online by visiting [www.caple.co.uk](http://www.caple.co.uk).

Ensure you keep your warranty card safe, you may need to show it to Caple Service together with proof of purchase.

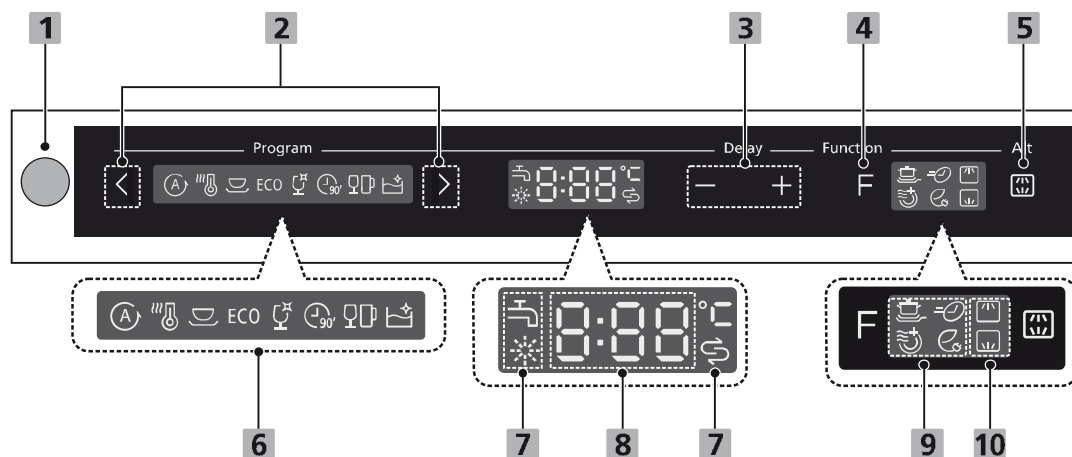
If you fail to show your warranty card you will incur all repair charges.

Spare parts are only available from Caple Service and spare parts authorised centres.



## PRODUCT OVERVIEW











### CONTROL PANNEL



BUTTON	OPERATION	
1	<b>POWER</b>	Press the button to turn on your dishwasher, the screen lights up.
2	<b>PROGRAM</b>	Press the " > " or " > " button to select a program, and the corresponding indicator will be lit.
3	<b>DELAY + / -</b>	Press the "+" button to add the delay time or press the "-" button to decrease the delay time, maximum 24 hours delay can be defined.
4	<b>FUNCTION</b>	Press the button to select a function, corresponding indicator will be lit.
5	<b>ALT</b>	Press the button to select either upper basket or lower basket loaded, and the response indicators will be lit.









G

BUTTON	OPERATION	
6 PROGRAM INDICATOR	AUTO 	For lightly, normally or heavily soiled crockery with or without dried-on food.
	HYGIENE 	With the sanitise option selected, the water temperature is increased to 70°C for high temperature sanitisation.
	NORMAL 	For normally soiled loads, such as pots, plates, glasses and lightly soiled pans.
	ECO ECO	This is a standard program, and is suitable to clean normally soiled tableware and is the most efficient program in terms of its combined energy and water consumption for that type of tableware.
	GLASS 	For lightly soiled crockery and glass.
	90 MIN 	For normally soiled loads that need quick wash.
	PARTY 	For lightly soiled loads, such as glasses, crystal and fine china.
	SELF-CLEANING 	This program provides an effective cleaning of the dishwasher itself.
7 WARNING INDICATOR	RINSE AID 	If the "☼" indicator is lit, it means the dishwasher is low on dishwasher rinse aid and requires a refill.
	SALT 	If the "☼" indicator is lit, it means the dishwasher is low on dishwasher salt and needs to be refilled.
	WATER FAUCET 	If the "☼" indicator is lit, it means the water faucet is closed.
8 SCREEN	To show the remaining time and delay time, error codes etc.	

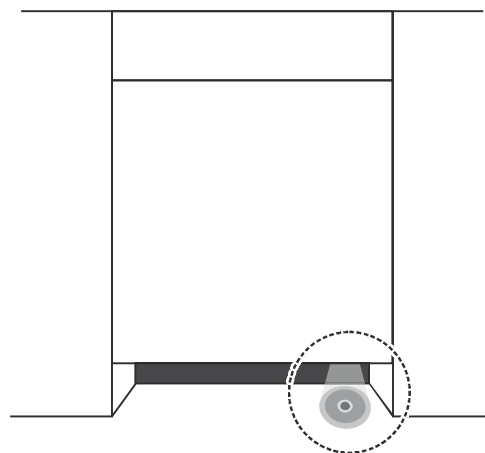




BUTTON	OPERATION	
9 FUNCTION INDICATOR	<b>EXTRA CLEANING</b> 	To wash very dirty, hard to clean dishes. (This can only be used with Hygiene, Normal, ECO, Glass, 90 min).
	<b>EXTRA DRYING</b> 	To dry dishes more thoroughly. (It can only be used with Hygiene, Normal, ECO, Glass, 90 min)
	<b>EXPRESS</b> 	Reduce the program time. (It can only be used with Hygiene, Normal, ECO, Glass, 90 min)
	<b>ENERGY SAVE</b> 	When you have less plates to wash. (It can only be used with Normal, ECO, Glass, 90 min )
10 ALT INDICATOR	<b>UPPER</b> 	When you select Upper, only the upper rack nozzle is activated. The lower nozzle will not operate.
	<b>LOWER</b> 	When you select Lower, only the lower rack nozzle is activated. The upper nozzle will not operate.

**NOTE:**

Indicator Lamp Function:  
The Indicator lamp will be lit up during the washing program, then blink for 5 minutes and turn off at end of the program.



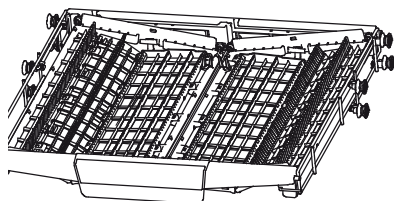
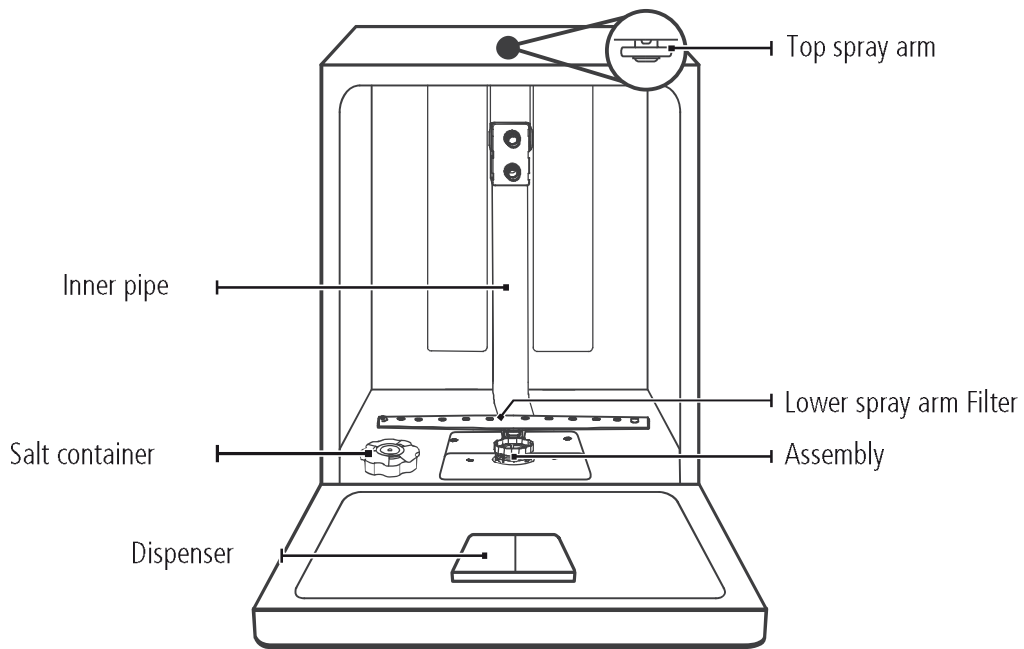


G

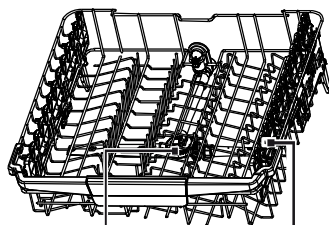
## DISHWASHER FEATURES

### IMPORTANT:

To get the best performance from your dishwasher, read all operating instructions before using it

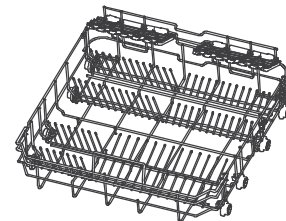


Cutlery Rack



Upper spray arm  
Cup rack

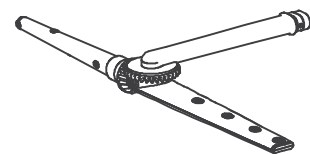
Upper Basket



Lower Basket

### 360° WATER SPRAY SYSTEM

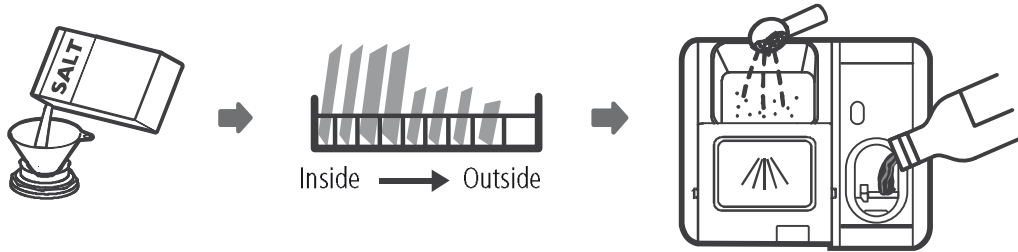
The breakthrough innovative spray arm uses two separate rotating axes to maximise water spray to all corners of the dishwasher, ensuring every item receives an exceptional clean.





## PRIOR TO USING YOUR DISHWASHER FOR THE FIRST TIME:

Before using your dishwasher:



1. Set the water softener
2. Load the salt into the softener
3. Load the basket
4. Fill the dispenser

### WATER SOFTENER

The water softener must be set manually, using the water hardness dial. The water softener is designed to remove minerals and salts from the water, which would have a detrimental or adverse effect on the operation of the appliance.

The more minerals there are, the harder your water is. The softener should be adjusted according to the hardness of the water in your area. Your local Water Authority can advise you on the hardness of the water in your area.

The hardness of the water varies from place to place. If hard water is used in the dishwasher, deposits will form on the dishes and utensils.

The appliance is equipped with a special softener that uses a salt container specifically designed to eliminate lime and minerals from the water.





G

## ADJUSTING SALT CONSUMPTION:

The dishwasher is designed to allow for adjustment in the amount of salt consumed based on the hardness of the water used. This is intended to optimise and customise the level of salt consumption.

Please follow the steps below for adjustment in salt consumption:

1. Open the door and switch on the appliance;
2. Press and hold the Program button " > " for more than 5 seconds to start the water softener setting within 60 seconds of the appliance being switched on;
3. Press the program button " > " to select the proper set according to your local environment, the sets will change in the following sequence: H3->H4->H5->H6->H1->H2->H3;H3
4. No operation in 5 seconds or pressing the Power button will complete the setup and exit the setup mode.

WATER HARDNESS				WATER SOFTENER LEVEL	SALT CONSUMPTION (GRAM/CYCLE)
GERMAN °DH	FRENCH °FH	BRITISH °CLARKE	MMOL/L		
0 - 5	0 - 9	0 - 6	0 - 0.94	H1	0
6 - 11	10 - 20	7 - 14	1.0 - 2.0	H2	9
12 - 17	21 - 30	15 - 21	2.1 - 3.0	H3	12
18 - 22	31 - 40	22 - 28	3.1 - 4.0	H4	20
23 - 34	41 - 60	29 - 42	4.1 - 6.0	H5	30
35 - 55	61 - 98	43 - 69	6.1 - 9.8	H6	60

1°dH=1.25 °Clarke=1.78 °fH=0.178mmol/l

The manufactory setting: H3

Contact your local water board for information on the hardness of your water supply.





## LOADING THE SALT INTO THE SOFTENER

### NOTE:

If your model does not have any water softener, you may skip this section.  
Always use salt intended for dishwasher use.

The salt container is located beneath the lower basket and should be filled as explained in the following:

### WARNING:

#### **ONLY USE SALT SPECIFICALLY DESIGNED FOR DISHWASHERS USE:**

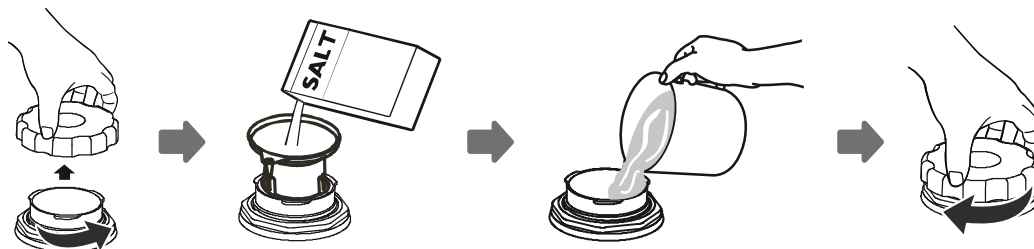
Every other type of salt not specifically designed for dishwasher use, especially table salt, will damage the water softener. In case of damages caused by the use of unsuitable salt the manufacturer does not give any warranty nor is liable for any damages caused.

### WARNING:

#### **ONLY FILL WITH SALT BEFORE RUNNING A CYCLE**

This will prevent any grains of salt or salty water, which may have been spilled, remaining on the bottom of the machine for any period of time, which may cause corrosion.

Please follow the steps below for adding dishwasher salt:




1. Remove the lower basket and unscrew the reservoir cap.
2. Place the end of the funnel (supplied) into the hole and pour in about 1.5kg of dishwasher salt.
3. Fill the salt container to its maximum limit with water, it is normal for a small amount of water to come out of the salt container.
4. After filling the container, screw back the cap tightly. The salt warning light will turn off after the salt container has been filled with salt.
5. Immediately after filling the salt container, a washing program should be started (we suggest to use a short program). Otherwise the filter system, pump or other important parts of the machine may be damaged by salty water. This is out of warranty.





#### NOTE:

- » The salt container must only be refilled when the salt warning light (  ) in the control panel comes on. Depending on how well the salt dissolves, the salt warning light may still be on even though the salt container is filled.  
If there is no salt warning light in the control panel (for some Models), you can estimate when to fill the salt into the softener by the cycles that the dishwasher has run.
- » If salt has spilled, run a soak or quick program to remove it.

## FILLING THE RINSE AID DISPENSER


The rinse aid is released during the final rinse to prevent water from forming droplets on your dishes, which can leave spots and streaks. It also improves drying by allowing water to roll off the dishes. Your dishwasher is designed to use liquid rinse aids.

#### WARNING:

**ONLY USE BRANDED RINSE AID FOR YOUR DISHWASHER. NEVER FILL THE RINSE AID DISPENSER WITH ANY OTHER SUBSTANCES (E.G. DISHWASHER CLEANING AGENT, LIQUID DETERGENT). THIS WILL DAMAGE THE APPLIANCE.**

#### WHEN TO REFILL THE RINSE AID

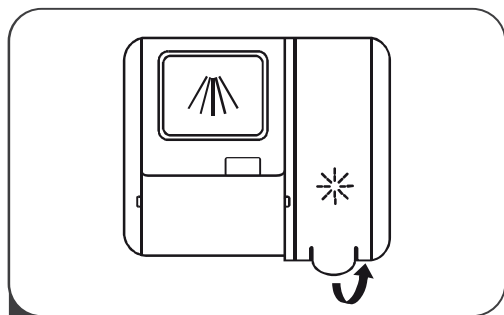
The regularity of the dispenser needing to be refilled depends on how often dishes are washed and the rinse aid setting used.

- » The Low Rinse Aid indicator (  ) will be lit when more rinse aid is needed.
- » Do not overfill the rinse aid dispenser.

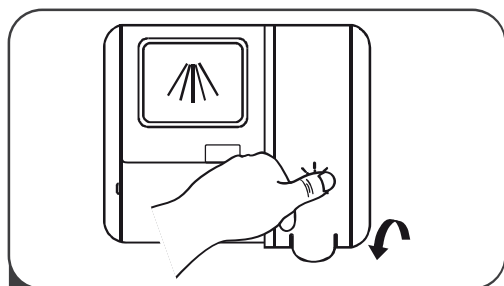




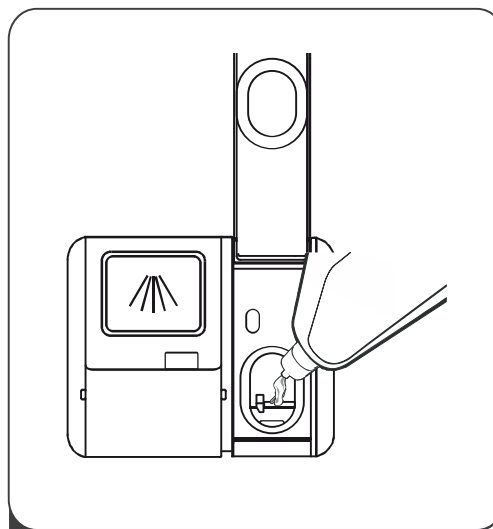
## FILLING THE RINSE AID DISPENSER



- 1 Remove the rinse reservoir cap by lifting up the handle .



- 3 Close the cap once full.



- 2 Pour the rinse aid into the dispenser, being careful not to overfill.

## ADJUSTING THE RINSE AID RESERVOIR

To achieve a better drying performance with limited rinse aid, the dishwasher is designed to adjust the consumption by user. Follow the below steps:

1. Open the door, power on the dishwasher by plugging in.
2. Within 60 seconds of step 1, press and hold the Programme ">" button for more than 5 seconds, and then press the Delay " + " button to enter the set model, the rinse aid indication blinks as 1Hz frequency.
3. Press the Programme ">" button to select the proper set according to your using habits, the sets will change in the following sequence: D1->D2->D3->D4->D5->D1. The higher the number, the more rinse aid the dishwasher uses.
4. No operation in 5 seconds or pressing the Power button will exit the set model.





G

## FILLING THE DETERGENT DISPENSER

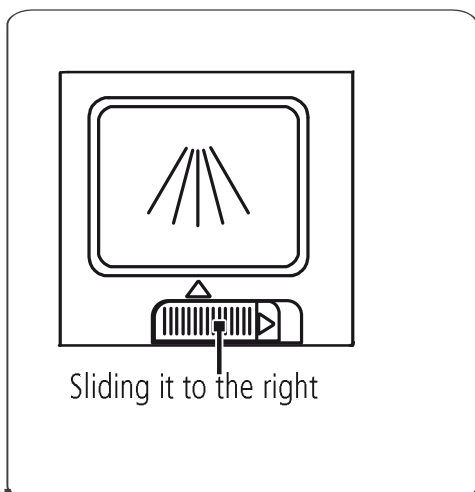
### FUNCTION OF DETERGENT

The chemical ingredients that compose the detergent are necessary to remove, crush and dispense all dirt out of the dishwasher. Most of the commercial quality detergents are suitable for this purpose.

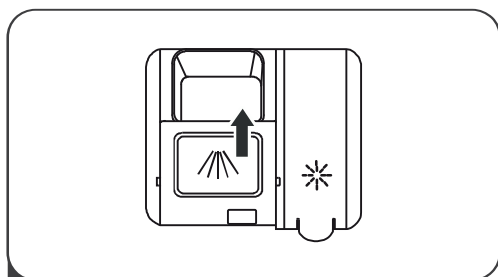
### PROPER USE OF DETERGENT

- » Use only detergent specifically made for dishwasher use. Keep your detergent fresh and dry.
- » Don't put powdered detergent into the dispenser until you are ready to wash dishes.

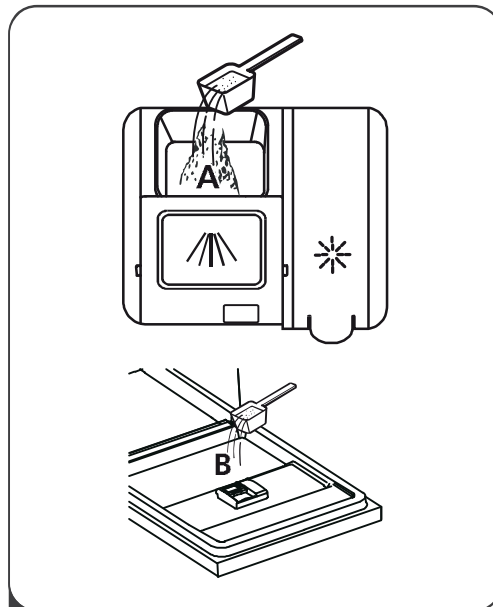
### FILLING THE DETERGENT DISPENSER



- 1 Open the cap by pressing down the release catch.



- 3 Close the flap by sliding it to the front and then pressing it down.



- 2 Add detergent into the larger cavity (A) for the main wash cycle.  
For better cleaning result, especially if you have very dirty items, pour a small amount of detergent onto the door (B). The additional detergent will activate during the pre-wash phase.



**NOTE:**

Depending on how dirty the items are will affect how much detergent to use. Please observe the manufacturers recommendations found on the detergent packing.

**WARNING:**

Dishwasher detergent is corrosive.  
Keep dishwasher detergent out of the reach of children.

## PREPARING AND LOADING DISHES

- » Consider buying utensils which are identified as dishwasher-proof.
- » For particular items, select a program with the lowest possible temperature. To prevent damage, do not take glass and cutlery out of the dishwasher immediately after the programme has ended.

**THE FOLLOWING CUTLERY DISHES ARE NOT SUITABLE:**

- » Cutlery with wooden, horn china or mother-of-pearl handles
- » Plastic items that are not heat resistant
- » Older cutlery with glued parts that are not temperature resistant Bonded cutlery items or dishes
- » Pewter or cooper items
- » Crystal glass
- » Steel items subject to rusting
- » Wooden platters
- » Items made from synthetic fibres

**ARE OF LIMITED SUSTAINABILITY:**

- » Some types of glasses can become dull after a large number of washes
- » Silver and aluminium parts have a tendency to discolour during washing
- » Glazed patterns may fade if machine washed





G

## RECOMMENDATIONS FOR LOADING THE DISHWASHER

Scrape off any large amounts of leftover food. Soften remnants of burnt food in pans. It is not necessary to rinse the dishes under running water.

For best performance of the dishwasher, follow these loading guidelines.

### (FEATURES AND APPEARANCE OF BASKETS AND CUTLERY BASKETS MAY VARY FROM YOUR MODEL.)

Place objects in the dishwasher in following way:

- » Items such as cups, glasses, pots/pans, etc. are faced downwards.
- » Curved items, or ones with recesses, should be loaded aslant so that water can run off.
- » All utensils are stacked securely and can not tip over.
- » All utensils are placed in the way that the spray arms can rotate freely during washing.
- » Load hollow items such as cups, glasses, pans etc. With the opening facing downwards so that water cannot collect in the container or a deep base.
- » Dishes and items of cutlery must not lie inside one another, or cover each other. To avoid damage, glasses should not touch one another.
- » The upper basket is designed to hold more delicate and lighter dishware such as glasses, coffee and tea cups.
- » Long bladed knives stored in an upright position are a potential hazard.
- » Long and / or sharp items of cutlery such as carving knives must be positioned horizontally in the upper basket.
- » Please do not overload your dishwasher. This is important for good results and for reasonable consumption of energy.

### NOTE:

Very small items should not be washed in the dishwasher as they could easily fall out of the basket.

## REMOVING THE DISHES

To prevent water dripping from the upper basket into the lower basket, we recommend that you empty the lower basket first, followed by the upper basket.

### WARNING: ITEMS WILL BE HOT.

To prevent damage, do not take glass and cutlery out of the dishwasher for around 15 minutes after the program has ended.





### LOADING THE UPPER BASKET

The upper basket is designed to hold more delicate and lighter dishware such as glasses, coffee and tea cups and saucers, as well as plates, small bowls and shallow pans (as long as they are not too dirty). Position the dishes and cookware so that they will not get moved by the spray of water.



### LOADING THE LOWER BASKET

We suggest that you place large items and the most difficult to clean items into the lower basket: such as pots, pans, lids, serving dishes and bowls, as shown in the figure below. It is preferable to place serving dishes and lids on the side of the racks in order to avoid blocking the rotation of the top spray arm.



The maximum diameter advised for plates in front of the detergent dispenser is of 19cm, this is so not to prevent it opening.

### LOADING THE CUTLERY BASKET

Cutlery should be placed in the cutlery rack separately from each other in the appropriate positions. Make sure the utensils do not nest together, this may cause bad performance.

#### WARNING:

Do not let any item extend through the bottom.  
Always load sharp utensils with the sharp point down.

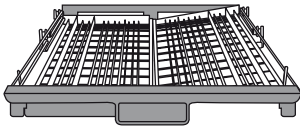
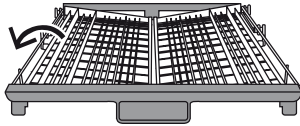




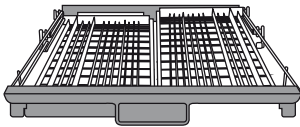
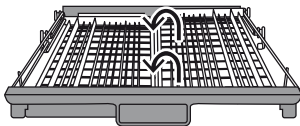
G

## BASKET USED TIPS

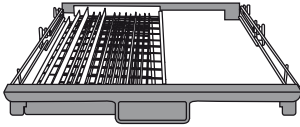
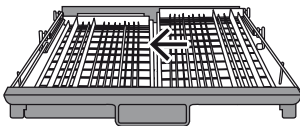
### ADJUSTING THE CUTLERY RACK



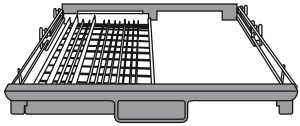
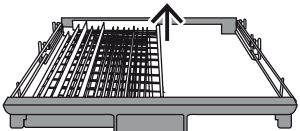
Lift the left basket up, adjust it to lower position, left basket is flat and right basket is tilted.



Lift the right basket up, both left and right baskets are flat.



Move the right basket from right to left leaving the, two baskets overlapping.



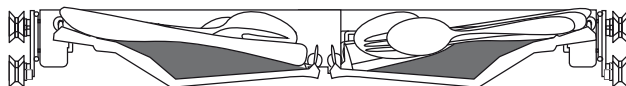
Remove the right basket from the tray, only leaving the left basket.





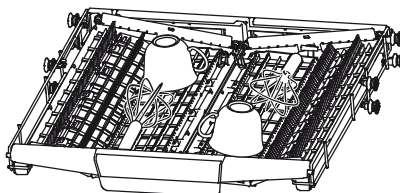
## EASY REMOVAL OF CUTLERY

Using the principle of crank slider mechanism, cutlery items are suspended. Convenient finger goes deep under the knife and fork, and holds several cutlery at a time.



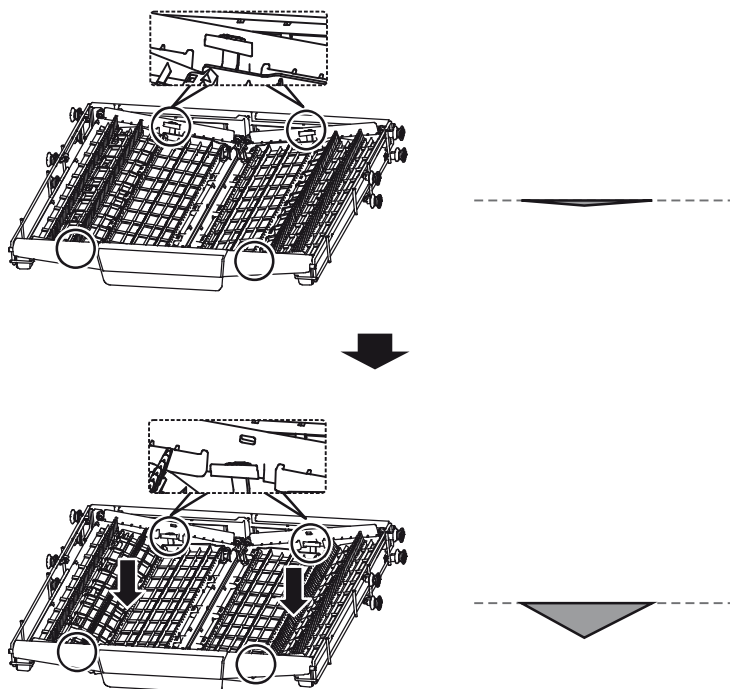
## MAKE THE MOST OF SPACE

It can accommodate items such as whisks, cups, etc., and does not affect the upper basket.



## ADJUST THE HEIGHT OF THE RACK

Loosen the four buttons on the tray and press down gently.



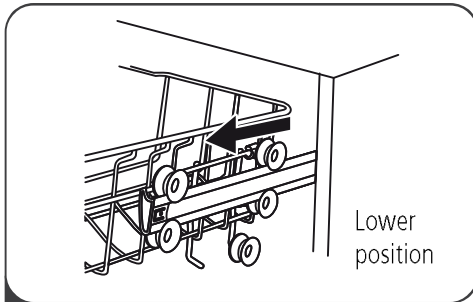


G

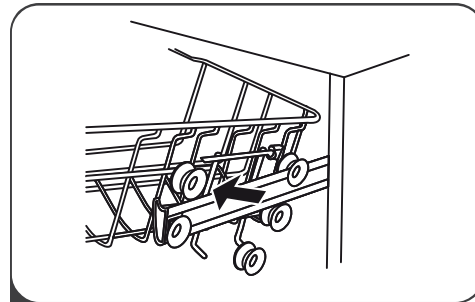
## ADJUSTING THE UPPER BASKET TYPE 1:

The height of the upper basket can be easily adjusted to accommodate taller dishes in either the upper or lower basket.

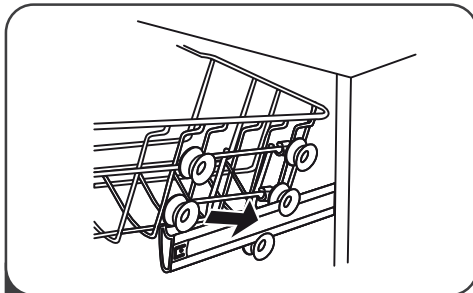
To adjust the height of the upper rack, follow these steps:



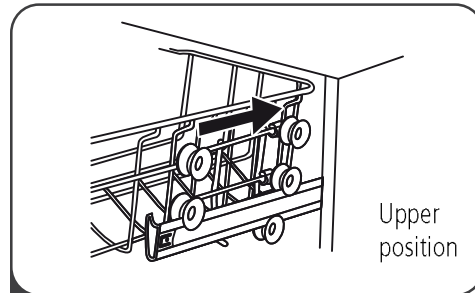
1 Pull out the upper basket.



2 Remove the upper basket.

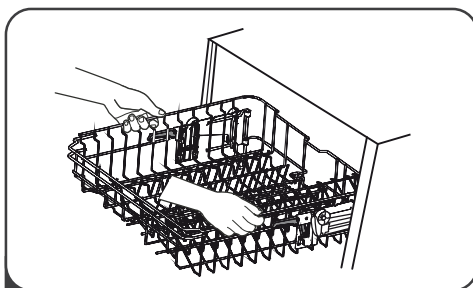


3 Re-attach the upper basket to upper or lower rollers.

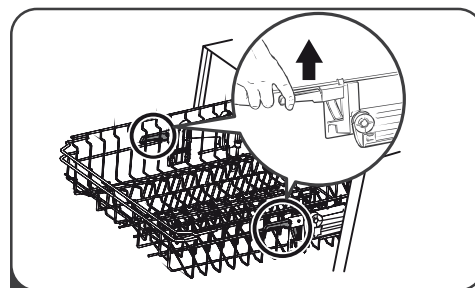


4 Push in the upper basket.

## Type 2:



1 To raise the upper basket, just lift the upper basket at the center of each side until the basket locks into place in the upper position. It is not necessary to lift the adjuster handle.




2 To lower the upper basket, lift the adjust handles on each side to release the basket and lower it to the lower position.

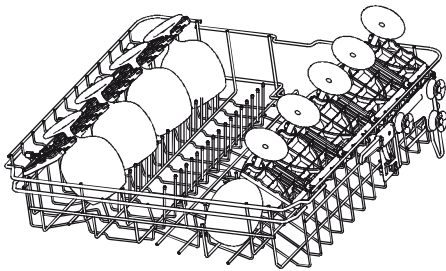




## USING THE WINE GLASS RACKS:

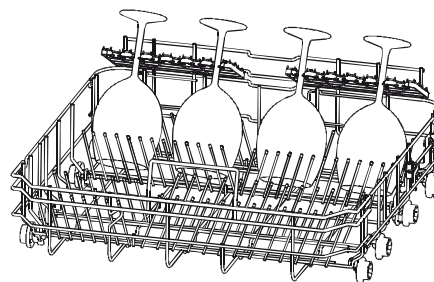
You can load cups or glasses onto the glass support. This is also very convenient for washing wine glasses. Hang your wine glasses onto the pegs of the glass support. Please determine the position according to the size of the wine glasses.

		
<b>SMALL GLASS</b>	<b>MIDDLE GLASS</b>	<b>LARGE GLASS</b>
<120 mm	<180 mm (With the third tray)  <250mm (Without the third tray)	<250mm



### UPPER BASKET

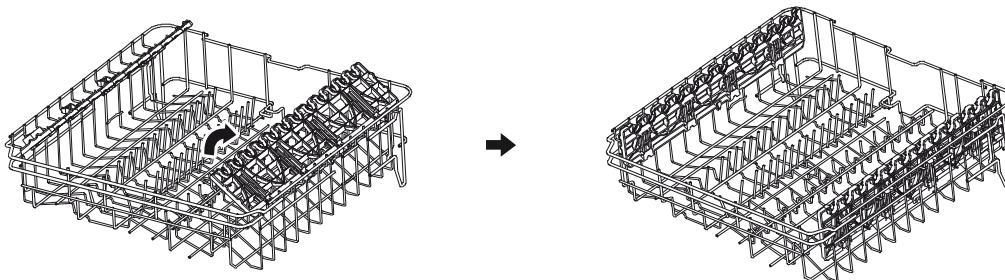
Small glasses are placed on the left side of the upper basket, and middle glasses are placed on the right side.



### LOWER BASKET

Large glasses are placed on the lower basket. Please fold down the last row of folding spikes before placing the wine glasses.

To make room for taller items in the upper basket, raise the cup rack upwards. You can then lean the tall glasses against it. You can also remove it when it is not required for use.



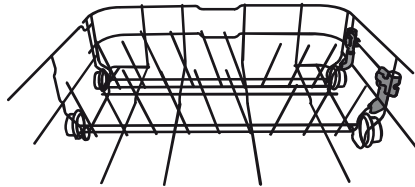


C

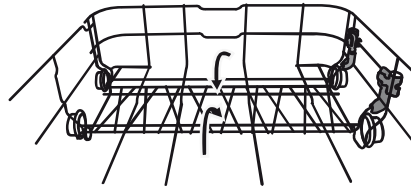
## FOLDING BACK THE RACK SHELVES

The spikes of the lower basket are used for holding plates and a platter. They can be lowered to make more room for large items.

Raise Upwards

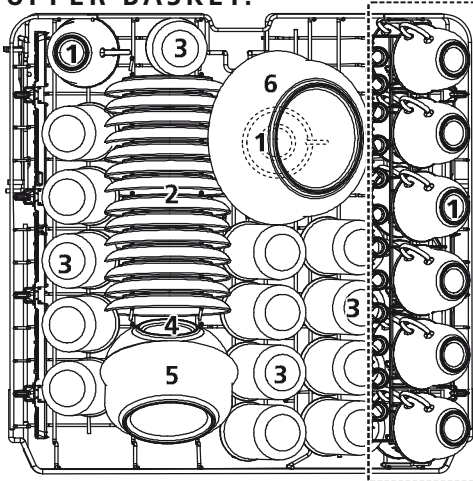


Fold Backwards



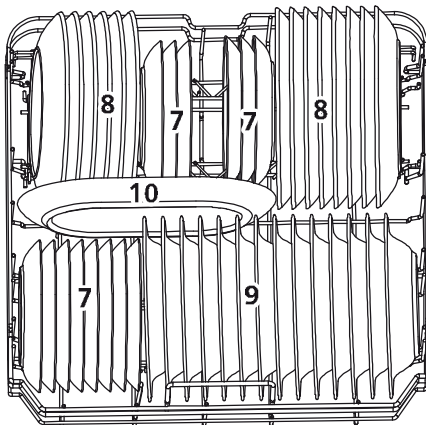
## LOADING THE BASKETS

### UPPER BASKET:



NUMBER	ITEM
1	Cups
2	Saucers
3	Glasses
4	Small serving bowl
5	Medium serving bowl
6	Large serving bowl

### LOWER BASKET:

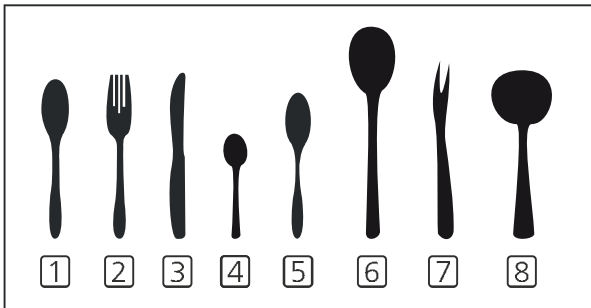
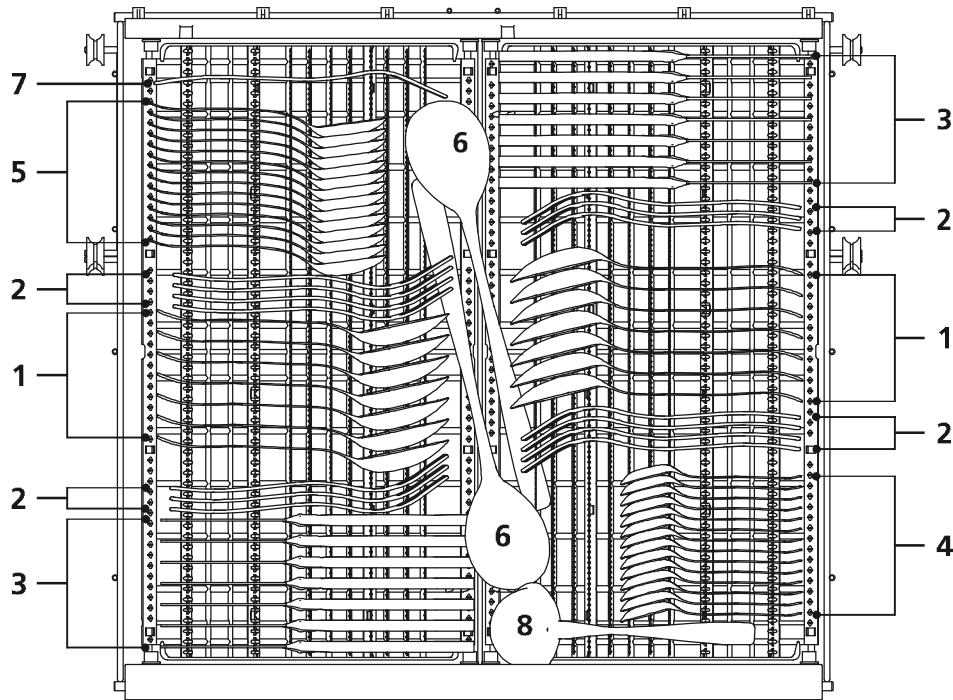


NUMBER	ITEM
7	Dessert dishes
8	Dinner plates
9	Soup plates
10	Oval platter





## CUTLERY RACK:



NUMBER	ITEM
1	Soup spoons
2	Forks
3	Knives
4	Teaspoons
5	Dessert spoons
6	Serving spoons
7	Serving forks
8	Gravy ladles

Information for comparability tests in accordance  
with EN 50242 Capacity: 14 place settings  
Position of the upper basket: lower position  
Program: ECO  
Rinse aid setting: 6  
Softener setting: H3










## PROGRAMMING THE DISHWASHER

### WASH CYCLE TABLE

The table below shows which programs are best for the levels of food residue on them and how much detergent is needed. It also show various information about the programs.

( ● ) Means: Fill Rinse Aid into the Rinse-Aid Dispenser.

PROGRAM	DESCRIPTION OF CYCLE	DETERGENT PRE/MAIN	RUNNING TIME (MIN)	ENERGY (KWH)	WATER (L)	RINSE AID
<b>AUTO</b> 	Pre-wash (45°C) Auto wash (45-55°C) Rinse Rinse (65°C) Drying	5/30g (1 or 2 pieces)	125-200	0.9 - 1.2	11 - 15	●
<b>HYGIENE</b> 	Wash (70°C) Rinse Rinse Rinse (70°C) Drying	35g (1 piece)	175	1.5	13.5	●
<b>NORMAL</b> 	Pre-wash (45°C) Wash (55°C) Rinse Rinse (65°C) Drying	5/30g (1 Or 2 pieces)	185	1.3	13.5	●
<b>ECO</b> <b>ECO</b> (*EN 50242)	Pre-wash Wash (50°C) Rinse (55°C) Drying	5/30g (1 Or 2 pieces)	220	0.83	10.5	●
<b>GLASS</b> 	Pre-wash Wash (40°C) Rinse Rinse (60°C) Drying	5/30g (1 Or 2 pieces)	130	0.85	13	●
<b>90 MIN</b> 	Wash (65°C) Rinse Rinse (65°C) Drying	35g (1 piece)	90	1.18	12.5	●
<b>PARTY</b> 	Wash (35°C) Rinse (35°C)		20	0.45	11	○
<b>SELF-CLEAN</b> 	Wash (70°C) Rinse Rinse (70°C)	25g (1 piece)	90	1.2	11	●

#### NOTE:

This program is the test cycle. The information for comparability test in accordance with EN 50242.



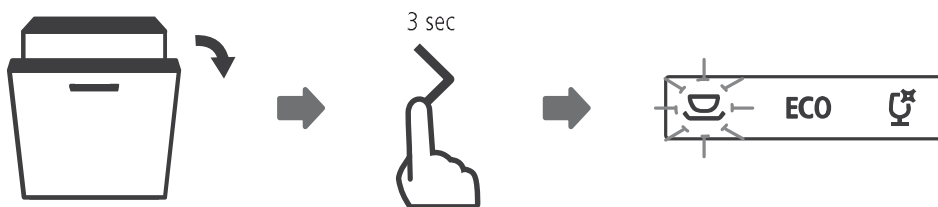
## STARTING A CYCLE WASH

1. Draw out the lower and upper basket, load the dishes and push them back.  
It is recommended to load the lower basket first, then the upper one.
2. Pour in the detergent.
3. Insert the plug into the socket. For the power supply, refer to the last page "Product fiche".  
Make sure that the water supply is turned on to full pressure.
4. Open the door, press the Power button.
5. Press the Program " < " button or " > " button to choose a program, the response light will turn on. Then close the door, the dishwasher will start its cycle.

## CHANGING THE PROGRAM MID-CYCLE

A wash cycle can only be changed if it has been running for a short time otherwise, the detergent may have already been released and the dishwasher may have already drained the wash water. If this is the case, the dishwasher needs to be reset and the detergent dispenser must be refilled. To reset the dishwasher, follow the instructions below:

1. Open the door a little to stop the dishwasher, after the spray arm stops working, you can open the door completely.
2. Press and hold the Program " > " button for more than three seconds and the machine will be in stand by state.
3. You can change the program to the desired cycle setting.



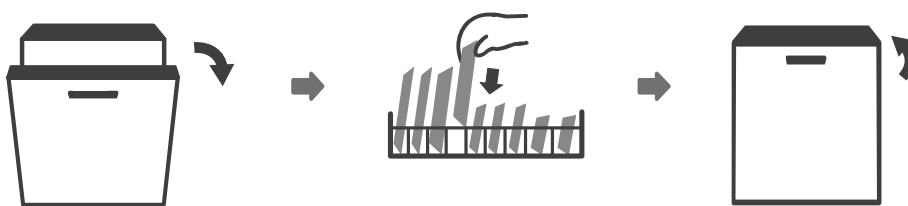


G

## FORGOT TO ADD A DISH

A forgotten dish can be added any time before the detergent dispenser opens. If this is the case, follow the instructions below:

1. Open the door a little to stop the washing.
2. After the spray arms stop working, you can open the door completely.
3. Add the forgotten dishes.
4. Close the door. The dishwasher will start after 10 seconds.



### WARNING:

It is dangerous to open the door mid-cycle, as hot steam may scald you.



## MAINTENANCE AND CLEANING



### EXTERNAL CARE

#### THE DOOR AND THE DOOR SEEL

Clean the door seals regularly with a soft damp cloth to remove food deposits. When the dishwasher is being loaded, food and drink residues may drip onto the sides of the dishwasher door. These surfaces are outside the wash cabinet and are not accessed by water from the spray arms. Any deposits should be wiped off before the door is closed.

#### THE CONTROL PANEL

If cleaning is required, the control panel should be wiped with a soft damp cloth only.

### WARNING:

- » To avoid penetration of water into the door lock and electrical components, do not use a spray cleaner of any kind.
- » Never use abrasive cleaners or scouring pads on the outer surfaces because they may scratch the finish. Some paper towels may also scratch or leave marks on the surface.





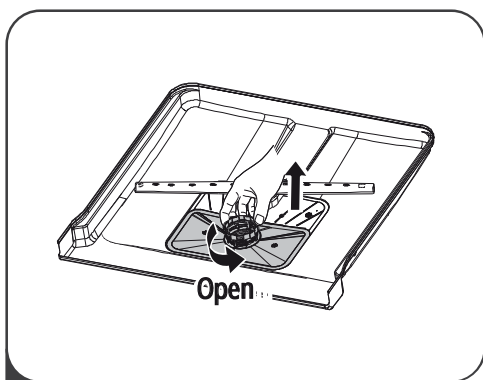
## INTERNAL CARE

### FILTERING SYSTEM

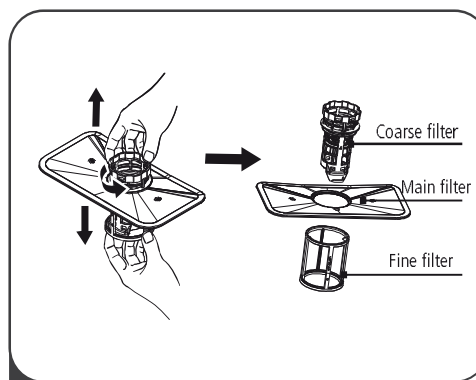
The filtering system in the base of the wash cabinet retains coarse debris from the washing cycle. The collected coarse debris may cause the filters to clog. Check the condition of the filters regularly and clean them if necessary under running water. Follow the steps below to clean the filters in the wash cabinet.

#### NOTE:

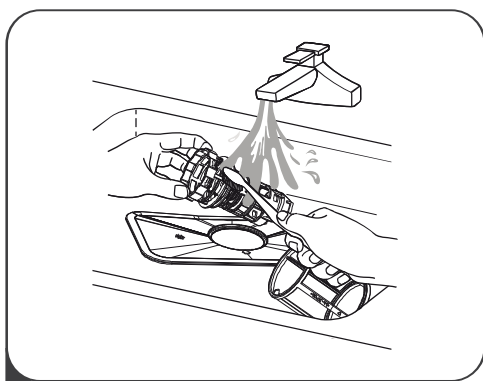
Pictures are only for reference, different models of the filtering system and spray arms may be different.



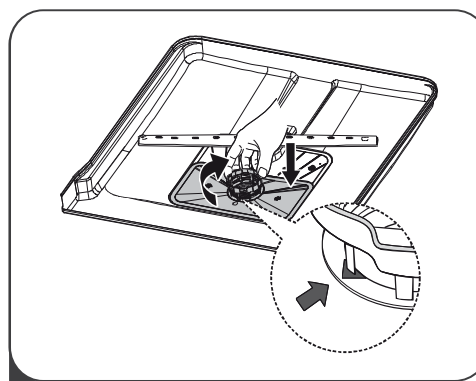
- 1 Hold the coarse filter and rotate it anticlockwise to unlock the filter. Lift the filter upwards and out of the dishwasher.



- 2 The fine filter can be pulled off the bottom of the filter assembly. The coarse filter can be detached from the main filter by gently squeezing the tabs at the top and pulling it away.



- 3 Larger food remnants can be cleaned by rinsing the filter under running water. For a more thorough clean, use a soft cleaning brush.



- 4 Reassemble the filters in the reverse order of the disassembly, replace the filter insert, and rotate clockwise to the close arrow.





G

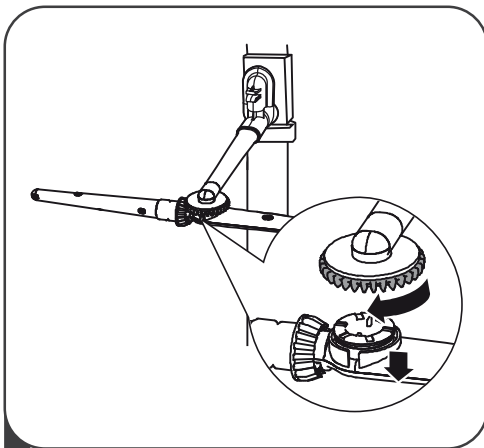
### WARNING:

- » Do not over tighten the filters. Put the filters back in sequence securely, otherwise coarse debris could get into the system and cause a blockage.
- » Never use the dishwasher without filters in place. Improper replacement of the filter may reduce the performance level of the appliance and damage dishes and utensils.

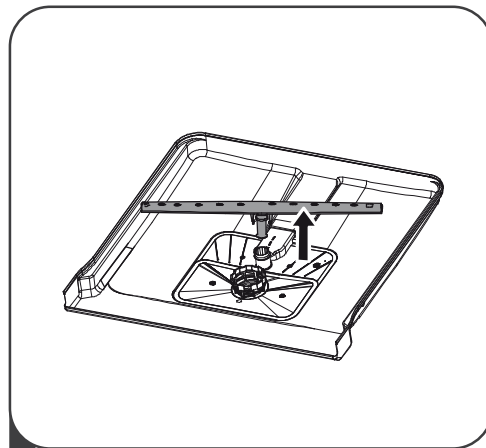
### SPRAY ARMS

It is necessary to clean the spray arms regularly, for hard water chemicals will clog the spray arm jets and bearings.

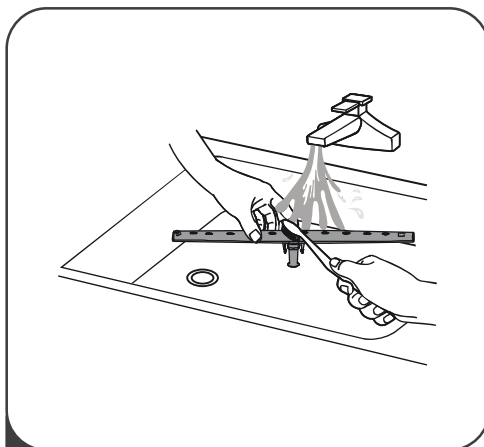
To clean the spray arms, follow the instructions below:



- 1 To remove the upper spray arm, hold the nut in the center still and rotate the spray arm clockwise to remove it.



- 2 To remove the lower spray arm, pull out the spray arm upward.



- 3 Wash the arms in soapy and warm water and use a soft brush to clean the jets. Replace them after rinsing them thoroughly.





## CARING FOR THE DISHWASHER

### **FROST PRECAUTION**

Please take frost protection measures on the dishwasher in winter. After every wash cycle, please operate as follows:

1. Cut off the electrical power to the dishwasher at the supply source.
2. Turn off the water supply and disconnect the water inlet pipe from the water valve.
3. Drain the water from the inlet pipe and water valve. (Use a pan to gather the water)
4. Reconnect the water inlet pipe to the water valve.
5. Remove the filter at the bottom of the tub and use a sponge to soak up water in the sump.

### **AFTER EVERY WASH**

After every wash, turn off the water supply to the appliance and leave the door slightly open so that moisture and odours are not trapped inside.

### **REMOVE THE PLUG**

Before cleaning or performing maintenance, always remove the plug from the socket.

### **NO SOLVENTS OR ABRASIVE CLEANING**

To clean the exterior and rubber parts of the dishwasher, do not use solvents or abrasive cleaning products. Only use a cloth with warm soapy water.

To remove spots or stains from the surface of the interior, use a cloth dampened with water and a little vinegar, or a cleaning product made specifically for dishwashers.

### **WHEN NOT IN USE FOR A LONGTIME**

It is recommended that you run a wash cycle with the dishwasher empty and then remove the plug from the socket, turn off the water supply and leave the door of the appliance slightly open. This will help the door seals to last longer and prevent odours from forming within the appliance.

### **MOVING THE APPLIANCE**

If the appliance must be moved, try to keep it in the vertical position. If absolutely necessary, it can be positioned on its back.

### **SEALS**

One of the factors that cause odours to form in the dishwasher is food that remains trapped in the seals. Periodic cleaning with a damp sponge will prevent this from occurring.





G

## INSTALLATION INSTRUCTION

---

### **WARNING:**

Disconnect electrical power before installing dishwasher.  
Failure to do so could result in death or electrical shock.

### **ATTENTION:**

The installation of the pipes and electrical equipments should be done by professionals.

### **ABOUT THE POWER CONNECTION**

#### **WARNING:**

For personal safety:

- » Do not use an extension cord or an adapter plug with this appliance.
- » Do not, under any circumstances, cut or remove the earthing connection from the power cord.

### **ELECTRICAL REQUIREMENTS**

Please look at the rating label to know the rating voltage and connect the dishwasher to the appropriate power supply. Use the required fuse 10A/13A/16A, time delay fuse or circuit breaker recommended and provide separate circuit serving only this appliance.

### **ELECTRICAL CONNECTION**

Ensure the voltage and frequency of the power corresponds to that on the rating plate. Only insert the plug into an electrical socket which is earthed properly. If the electrical socket to which the appliance must be connected is not appropriate for the plug, replace the socket, rather than using adaptors or the like as they could cause overheating and burns.

#### **WARNING:**

Ensure that proper earthing exists before use.

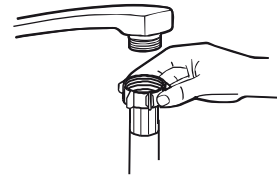


## WATER SUPPLY AND DRAIN

### COLD WATER CONNECTION

Connect the cold water supply hose to a threaded 3/4 (inch) connector and make sure that it is fastened tightly in place.

If the water pipes are new or have not been used for an extended period of time, let the water run to make sure that the water is clear. This precaution is needed to avoid the risk of the water inlet becoming blocked and damaging the appliance.



Ordinary Supply Hose

### ABOUT THE SAFETY SUPPLY HOSE

The safety supply hose consists of the double walls. The hose's system guarantees its intervention by blocking the flow of water in case of the supply hose breaking and when the air space between the supply hose itself and the outer corrugated hose is full of water



Safety Supply Hose

### WARNING:

A hose that attaches to a sink spray can burst if it is installed on the same water line as the dishwasher. If your sink has one, it is recommended that the hose be disconnected and the hole plugged.

### HOW TO CONNECT THE SAFETY SUPPLY HOSE

1. Pull the safety supply hoses completely out from the storage compartment located at the rear of dishwasher.
2. Tighten the screws of the safety supply hose to the tap with thread 3/4inch.
3. Turn water fully on before starting the dishwasher.

### HOW TO DISCONNECT THE SAFETY SUPPLY HOSE

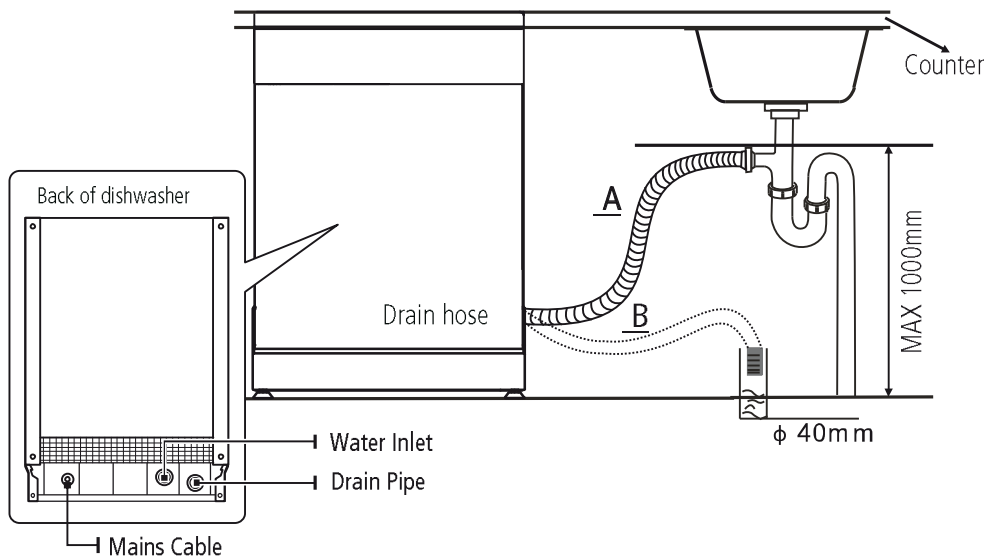
1. Turn off the water.
2. Unscrew the safety supply hose from the tap.

## CONNECTION OF DRAIN HOSES

Insert the drain hose into a drain pipe with a minimum diameter of 4 cm, or let it run into the sink, making sure to avoid bending or crimping it. The height of the drain pipe must be less than 1000mm. The free end of the hose must not be immersed in water to avoid the back flow of it.

### WARNING:

Please securely fix the drain hose in either position A or position B:



### HOW TO DRAIN EXCESS WATER FROM HOSES

If the sink is higher than 1000mm from the floor, the excess water in the hose cannot be drained directly into the sink. It will be necessary to drain excess water from the hose into a bowl or suitable container that is held outside and lower than the sink.

### WATER OUTLET

Connect the water drain hose. The drain hose must be correctly fitted to avoid water leaks. Ensure that the water drain hose is not kinked or squashed.

### EXTENSION HOSE

If you need a drain hose extension, make sure to use a similar drain hose. It must be no longer than 4 meters; otherwise the cleaning effect of the dishwasher could be reduced.

### SYPHON CONNECTION

The waste connection must be at a height less than 100 cm (maximum) from the bottom of the dishwasher. The water drain hose should be fixed.



## POSITION THE APPLIANCE

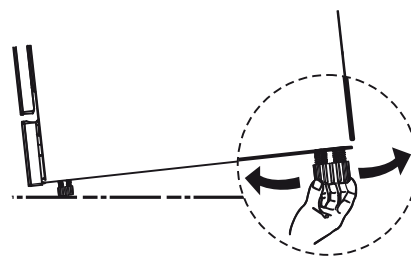
---

Position the appliance in the desired location. The back should rest against the wall behind it, and the sides, along the adjacent cabinets or walls. The dishwasher is equipped with water supply and drain hoses that can be positioned either to the right or the left sides to facilitate proper installation.

### LEVELLING THE APPLIANCE

Once the appliance is positioned for levelling, the height of the dishwasher may be altered via adjustment of the screwing level of the feet.

In any case, the appliance should not be inclined more than 2°.



### NOTE:

Only apply to the free standing dishwasher.

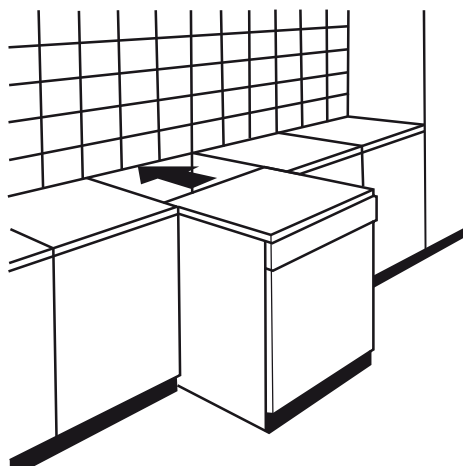
## FREE STANDING INSTALLATION

---

### FITTING BETWEEN EXISTING CABINETS

The height of the dishwasher, 845mm, has been designed in order to allow the machine to be fitted between existing cabinets of the same height in modern fitted kitchens. The feet can be adjusted so that correct height is reached.

The laminated top of the machine does not require any particular care since it is heatproof, scratch-proof and stain-proof.

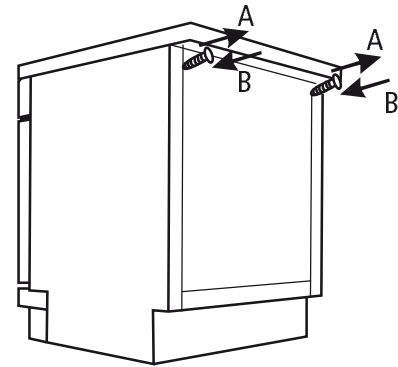




G

## UNDERNEATH EXISTING WORK TOP

In most modern fitted kitchens there is only one single work top under which cabinets and electrical appliances are fitted. In this case remove the work top of the dishwasher by unscrewing the screws under the rear edge of the top (A).



### ATTENTION:

After removing the work top, the screws must be screwed again under the rear edge of the top (B).

The height will then be reduced to 815mm, as scheduled by the International Regulations (ISO) and the dishwasher will fit perfectly under the kitchen working top.

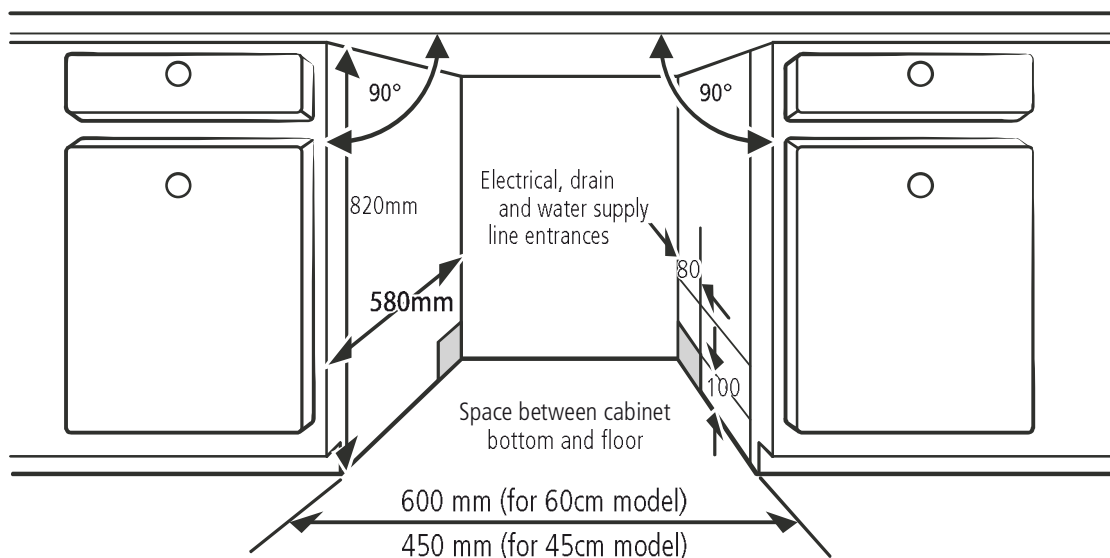
## BUILT-IN INSTALLATION (FOR THE INTEGRATED MODEL)

### SELECTING THE BEST LOCATION FOR THE DISHWASHER

The installation position of the dishwasher should be near the existing inlet and drain hoses and power cord.

See below for illustrations of cabinet dimensions and installation positions of the dishwasher.

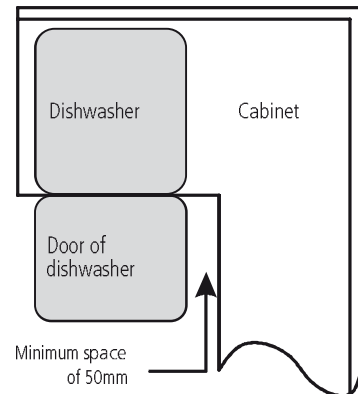
1. Less than 5mm between the top of the dishwasher and cabinet and the outer door aligned to cabinet.
2. If dishwasher is installed at the corner of the cabinet, there should be some space when the door is opened.





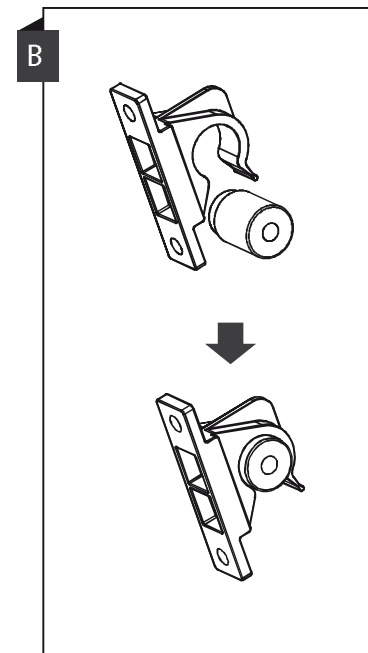
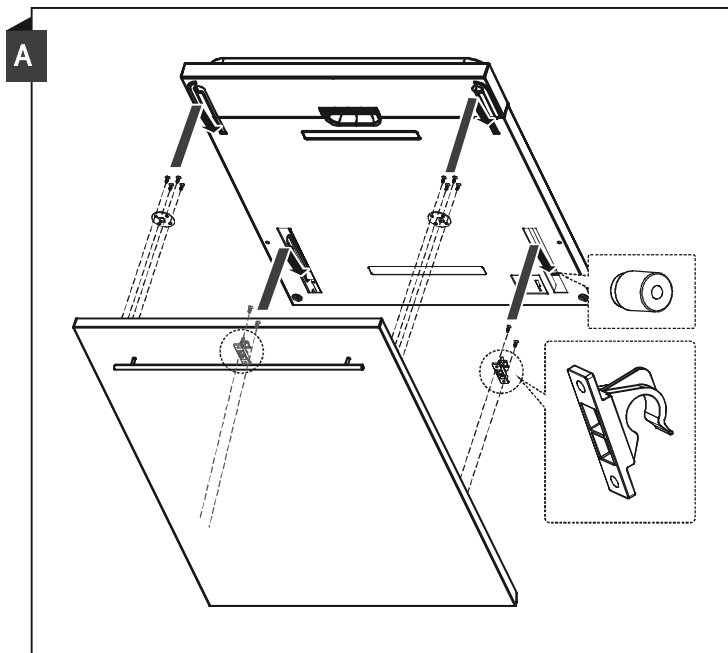
**NOTE:**

Depending on where your electrical outlet is, you may need to cut a hole in the opposite cabinet side.



**FURNITURE DOOR INSTALLATION**

Install the hook on the furniture door panel (see figure A) and put the hook into the slot of the outer door of dishwasher (see figure B). After positioning the panel, press the top of the aesthetic wooden panel to make sure that the plastic hooks are fastened.



**NOTE:**

The furniture door weight should be 4-10KG with a Sliding Door and 5-7KG without a Sliding Door.

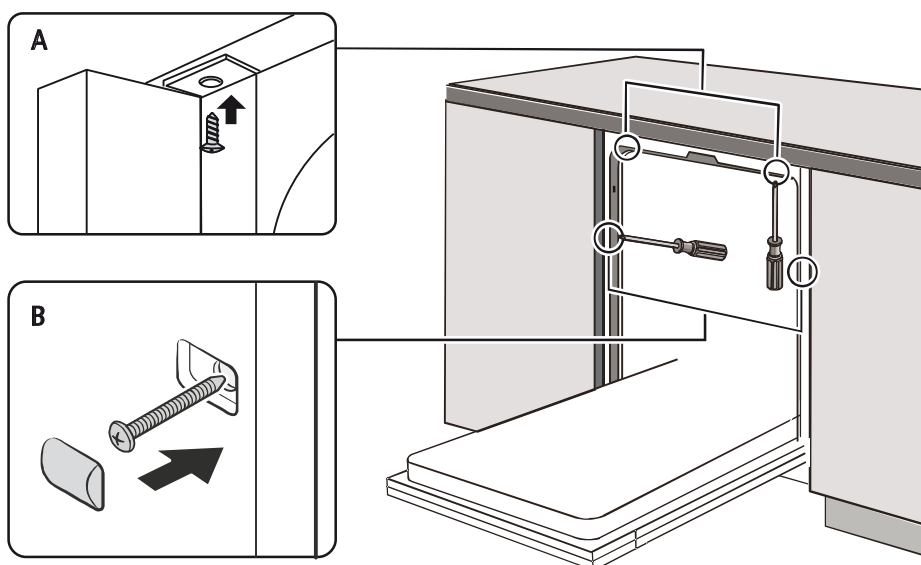




G

## DISHWASHER INSTALLATION STEPS

1. Fix the condensation strip under the work surface of cabinet. Please ensure the condensation strip is flush with edge of work surface.
2. Connect the inlet hose to the cold water supply.
3. Connect the drain hose.
4. Connect the power cord.
5. Place the dishwasher into position.
6. Level the dishwasher. The rear foot can be adjusted from the front of the dishwasher by turning the Philips screw in the middle of the base of dishwasher. To adjust the front feet, use a flat screw driver and turn the front feet until the dishwasher is level.
7. Install the furniture door to the outer door of the dishwasher.
8. The dishwasher must be secured in place. There are two ways to do this:
  - A. Normal work surface: Put the installation hook into the slot of the side plane and secure it to the work surface with the wood screws.
  - B. Marble or granite work top: Fix the side with Screw.

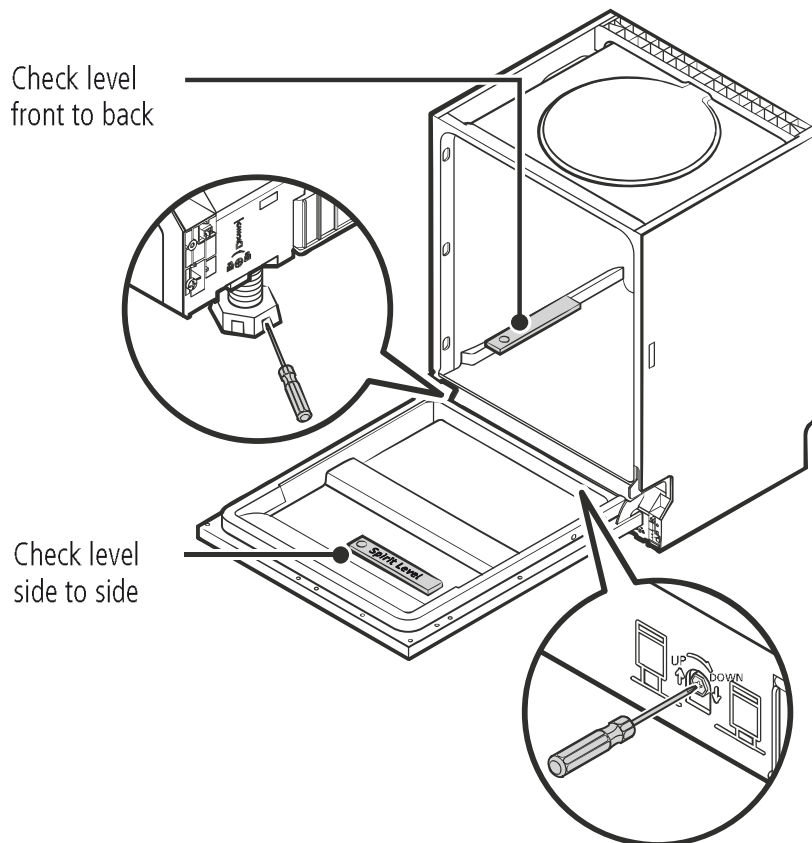




## LEVELLING THE DISHWASHER

The Dishwasher must be level for proper dish rack operation and wash performance.

1. Place a spirit level on the door and rack track inside the tub as shown to check that the dishwasher is level.
2. Level the dishwasher by adjusting the three levelling legs individually.
3. When levelling the dishwasher, please pay attention not to let the dishwasher tip over.



### NOTE:

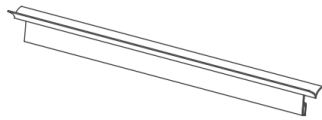
The maximum adjustment height of the feet is 50mm.



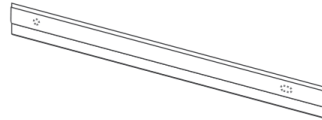
G

## SOUND-ABSORBING STRIP INSTALLATION

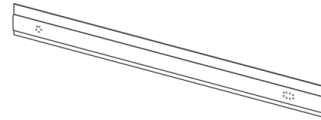
Sound-absorbing strip



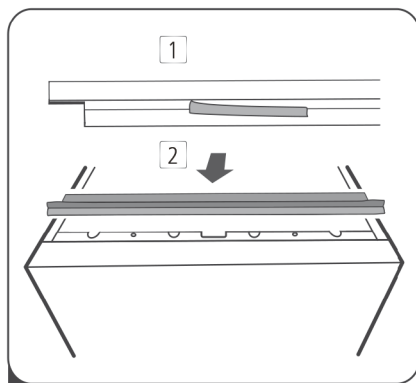
Top



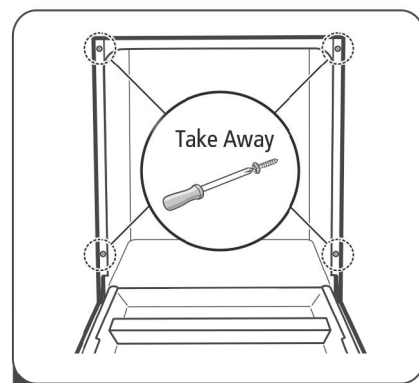
Left



Right



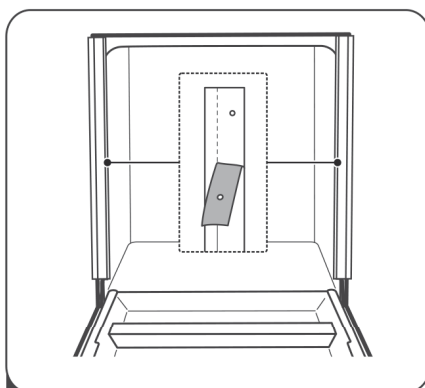
1



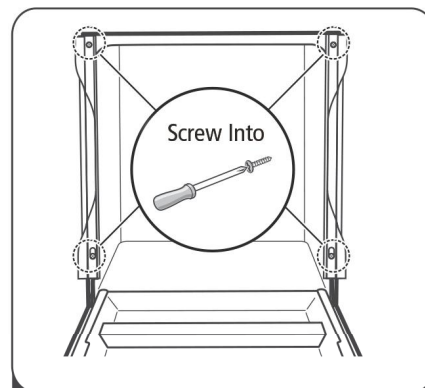
2

Remove the protection from the sound-absorbing strip, then fix the strip on the frame.

Take away the four screws from the right and left side plates.



3



4

Remove the protection from the sound-absorbing strips, then stick the strips to the side plates, please align to the hole position.

Screw on the screws.



## TROUBLESHOOTING TIPS

### BEFORE CALLING FOR SERVICE

Reviewing the charts on the following pages may save you from calling for service.

PROBLEM	POSSIBLE CAUSES	WHAT TO DO
Dishwasher doesn't start	Fuse blown, or the circuit break tripped.	Replace fuse or reset circuit breaker. Remove any other appliances sharing the same circuit with the dishwasher.
	Power supply is not turned on.	Make sure the dishwasher is turned on and the door is closed securely. Make sure the power cord is properly plugged into the wall socket.
	Water pressure is low.	Check that the water supply is connected properly and the water is turned on.
	Door of dishwasher not properly closed.	Make sure to close the door properly and latch it.
Water not pumped from dishwasher	Twisted or trapped drain hose.	Check the drain hose.
	Filter clogged.	Check the filter.
	Kitchen sink clogged.	Check the kitchen sink to make sure it is draining well. If the problem is the kitchen sink that is not draining, you may need a plumber rather than a serviceman for dishwashers.
Suds in the tub	Wrong detergent.	Use only the special dishwasher detergent to avoid suds. If this occurs, open the dishwasher and let suds evaporate. Add 1 gallon of cold water to the bottom of the dishwasher. Close the dishwasher door, then select any cycle. Initially, the dishwasher will drain out the water. Open the door after draining stage is complete and check if the suds have disappeared. Repeat if necessary.
	Spilled rinse-aid.	Always wipe up rinse-aid spills immediately.
Stained tub interior	Detergent with colourant may have been used.	Make sure that the detergent has no colourant.
White film on inside surface	Hard water minerals.	To clean the interior, use a damp sponge with dishwasher detergent and wear rubber gloves. Never use any other cleaner than dishwasher detergent otherwise, it may cause foaming or suds.



G

PROBLEM	POSSIBLE CAUSES	WHAT TO DO
There are rust stains on cutlery	The affected items are not corrosion resistant.	Avoid washing items that are not corrosion resistant in the dishwasher.
	A program was not run after dishwasher salt was added. Traces of salt have gotten into the wash cycle.	Always run a wash program without any crockery after adding salt. Do not select the Turbo function (if present), after adding dishwasher salt.
	The lid of the softener is loose.	Check the softener lid is secure.
Knocking noise in the dishwasher	A spray arm is knocking against an item in a basket.	Interrupt the program and rearrange the items which are obstructing the spray arm.
Rattling noise in the dishwasher	Items of crockery are loose in the dishwasher.	Interrupt the program and rearrange the items of crockery.
Knocking noise in the water pipes	This may be caused by on-site installation or the cross-section of the piping.	This has no influence on the dishwasher function. If in doubt, contact a qualified plumber.
The dishes are not clean	The dishes were not loaded correctly.	See "Preparing And Loading Dishes" .p.g 19
	The program was not powerful enough.	Select a more intensive program.
	Not enough detergent was dispensed.	Use more detergent, or change your detergent.
	Items are blocking the movement of the spray arms.	Rearrange the items so that the spray can rotate freely.
	The filter combination is not clean or is not correctly fitted in the base of wash cabinet. This may cause the spray arm jets to get blocked.	Clean and/or fit the filter correctly. Clean the spray arm jets.
Cloudiness on glassware.	Combination of soft water and too much detergent.	Use less detergent if you have soft water and select a shorter cycle to wash the glassware and to get them clean.
White spots appear on dishes and glasses.	Hard water area can cause limescale deposits.	Add more detergent.
Black or grey marks on dishes	Aluminium utensils have rubbed against dishes	Use a mild abrasive cleaner to eliminate those marks.





Detergent left in dispenser	Dishes block detergent dispenser.	Re-loading the dishes properly.
The dishes aren't drying	Improper loading.	Load the dishwasher as suggested in the directions.
	Dishes are removed too soon.	Do not empty your dishwasher immediately after washing. Open the door slightly so that the steam can come out. Take out the dishes until the inside temperature is safe to touch. Unload the lower basket first to prevent the water dropping from the upper basket.
	Wrong programme has been selected.	With a short program, the washing temperature is lower, decreasing cleaning performance. Choose a programme with a long washing time.
	Use of cutlery with a low-quality coating.	Water drainage is more difficult with these items. Cutlery or dishes of this type are not suitable for washing in the dishwasher.




## ERROR CODES


---

If there is a malfunction, the dishwasher will display error codes to identify these:

CODES	MEANINGS	POSSIBLE CAUSES
<b>E1</b>	Longer inlet time.	Tap is not opened, or water intake is restricted, or water pressure is too low.
<b>E3</b>	Not reaching required temperature.	Malfunction of heating element.
<b>E4</b>	Overflow.	Some element of dishwasher leaks.
<b>E8</b>	Failure of orientation of distributary valve.	Open circuit or break of distributary valve.
<b>EC</b>	Washing control system fail.	PCB or motor fail.
<b>Ed</b>	Failure of communication between main PCB with display pcb.	Open circuit or break wiring for the communication.

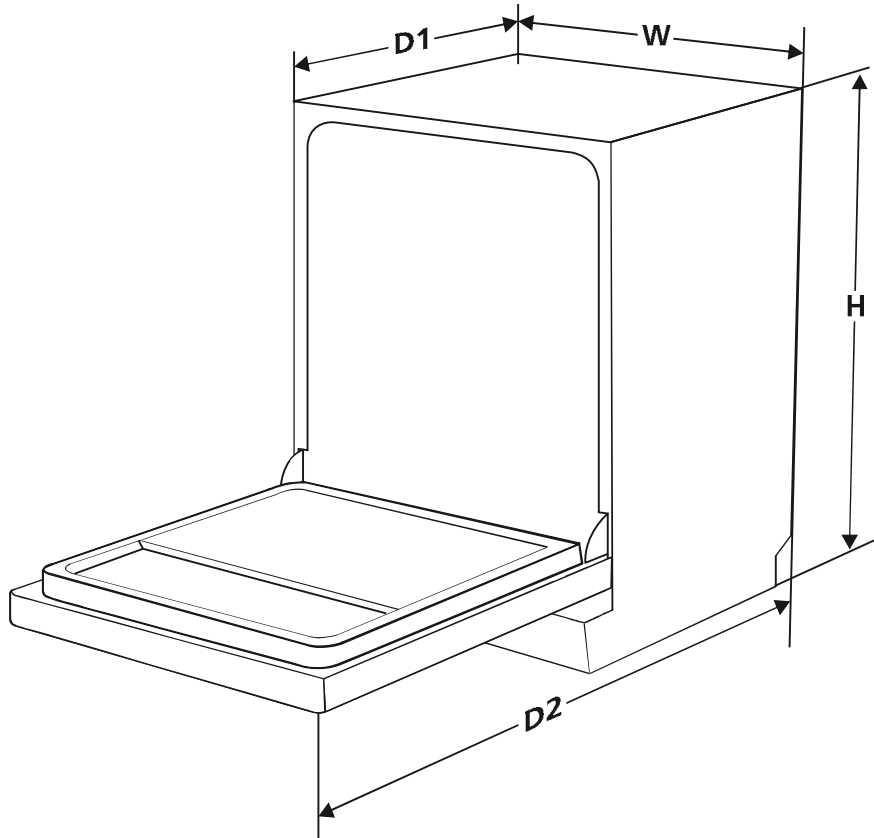


### WARNING:

- » If overflow occurs, turn off the main water supply before calling a service.
  - » If there is water in the base pan because of an overflow or small leak, the water should be removed before restarting the dishwasher.
- 



## TECHNICAL INFORMATION



<b>HEIGHT (H)</b>	815mm
<b>WIDTH (W)</b>	598mm
<b>DEPTH (D1)</b>	550mm (with the door closed)
<b>DEPTH (D2)</b>	1150mm (with the door opened 90°)





## PRODUCT FICHE

Sheet of household dishwasher according to EU Directive 1016/2010 & 1059/2010:

Manufacturer	Caple
Type / Description	DI652
Standard place settings	14
Energy efficiency class (1)	A+++
Annual energy consumption (2)	237 kWh
Energy consumption of the standard cleaning cycle	0.83 kWh
Power consumption of off-mode	0.45 W
Power consumption of left-on mode	0.49W
Annual water consumption (3)	2940 liter
Drying efficiency class (4)	A
Standard cleaning cycle (5)	ECO 50
Program duration of the standard cleaning cycle	220 min
Noise level	42 dB(A) re 1 pW
Mounting	Built-in
Could be built-in	YES
Power consumption	1930W
Rated voltage / frequency	220-240V/50Hz
Water pressure (flow pressure)	0.04-1.0MPa=0.4-10 bar





## W

1. A + + + (highest efficiency) to D (lowest efficiency).
2. Energy consumption based on 280 standard cleaning cycles using cold water fill and the consumption of the low power modes. Actual energy consumption will depend on how the appliance is used.
3. Water consumption based on 280 standard cleaning cycles. Actual water consumption will depend on how the appliance is used.
4. A (highest efficiency) to G (lowest efficiency).
5. This program is suitable for cleaning soiled normally soiled tableware and that it is the most efficient program in terms of its combined energy and water consumption for that type of tableware.





NOTES:





**NOTES:**





Caple Service

Fourth Way

Avonmouth

T: 0117 938 1900

Bristol

E: [service@caple.co.uk](mailto:service@caple.co.uk)

BS11 8DW

[www.caple.co.uk](http://www.caple.co.uk)

