



Dishwasher Instruction Manual

DI641



Contact Caple on 0117 938 7420 for spare parts or www.caple.co.uk





CONTENTS

Warnings	3
Environmental Protection	8
Control Panel	9
Product Overview	11
Water Softener	12
Rinse Aid and Detergent Dispenser	15
Loading the Baskets	18
Programming the Dishwasher	25
Cleaning and Maintenance	27
Caring for the Dishwasher	30
Installation Instruction	31
Built-In Installation Instruction	35
Troubleshooting	40
Technical Information	44
Caple Contact Details	48



SAFETY INSTRUCTIONS

- This product is not designed for commercial use, it is a household appliance only. It is not intended to be used in:
 - Staff kitchen areas in shops, offices and other working environments.
 - Bed and breakfast type environments.
 - By clients in hotels, motels and other residential type environments.
- This appliance can be used by children aged from 8 years and above and persons with reduced physical, sensory or mental capabilities or lack of experience and knowledge if they have been given supervision or instruction concerning use of the appliance in a safe way and understand the hazards involved. Children shall not play with the appliance. Cleaning and user maintenance shall not be made by children without supervision.
- This appliance is not intended for use by persons (including children) with reduced physical, sensory or mental capabilities, or lack of experience and knowledge, unless they have been given supervision or instruction concerning use of the appliance by a person responsible for their safety.
- This appliance is for indoor household use only.
- To protect against the risk of electrical shock, do not immerse the unit, cord or plug in water or other liquid.
- Please unplug before cleaning or performing maintenance on the appliance.



- Use a slightly moistened soft cloth with mild soap, and then use a dry cloth to wipe it again.
- This appliance must be earthed. In the event of a malfunction or breakdown, earthing will reduce the risk of an electric shock by providing a path of less resistance of electric current. This appliance is equipped with a cord having an equipment-earthing conductor and a grounding plug.
- The plug must be plugged into an appropriate outlet that is installed and earthed in accordance with all local codes and regulations.
- Improper connection of the equipment-earthing conductor can result in the risk of an electric shock.
- Check with a qualified electrician or Caple service representative if you are in doubt whether the appliance is properly grounded.
- Do not modify the plug provided with the appliance.
- If it does not fit the outlet, have a proper outlet installed by a qualified electrician.
- Do not abuse, sit on, or stand on the door or dish rack of the dishwasher.
- Do not operate your dishwasher unless all enclosure panels are properly in place.
- Open the door very carefully when the dishwasher is operating, there is a risk of water squirting out.
- Do not place any heavy objects on or stand on the door when it is open. The appliance could tip forward.



- When loading items to be washed:
 - Locate sharp items so that they are not likely to damage the door seal.
 - Warning: Knives and other utensils with sharp points must be loaded in the basket with their points down or placed in a horizontal position.
- Check that the detergent powder is empty after completion of the wash cycle.
- Do not wash plastic items unless they are marked dishwasher safe or the equivalent.
- For plastic items not marked, check the manufacturer's recommendations.
- Use only detergent and rinse additives designed for an automatic dishwasher.
- Never use soap, laundry detergent, or hand washing detergent in your dishwasher.
- Children should be supervised to ensure that they do not play with the appliance.
- The door should not be left open, since this could increase the risk of tripping.
- The appliance may only be used with correctly adjusted door springs.
- If the supply cord is damaged, it must be replaced by Caple, its service agent or a similarly qualified person in order to avoid a hazard.
- During installation, the power supply must not be excessively or dangerously bent or flattened.
- The dishwasher must not be installed under a hob.
- Do not tamper with controls.



C

- The appliance is to be connected to the water mains using new hose sets and that old hose-sets should not be reused.
- To save energy, in stand by mode, the appliance will switch off automatically while there is no any operation in 30 minutes.

ELECTRICAL CONNECTION

WARNINGS

- For personal safety:
- Do not use an extension cord or an adapter plug with this appliance.
- Do not, under any circumstances, cut or remove the earthing connection from the power cord.

ELECTRICAL REQUIREMENTS

- Please look at the rating label to know the rating voltage and connect the dishwasher to the appropriate power supply. Use the required 10 amp fuse, time delay fuse or circuit breaker recommended and provide separate circuit serving only this appliance.



ELECTRICAL CONNECTION

- Ensure the voltage and frequency of the power being corresponds to those on the rating label. Only insert the plug into an electrical socket which is earthed properly. If the electrical socket to which the appliance must be connected is not appropriate for the plug, replace the socket, rather than using a adapter as they could cause overheating and burns.

GROUNDING INSTRUCTIONS

- This appliance must be earthed. In the event of a malfunction or breakdown, earthing will reduce the risk of electric shock by providing a path of least resistance for the electric current. This appliance is equipped with a cord having an equipment-earthing conductor and an earthing plug. The plug must be plugged into an appropriate outlet that is installed and earthed in accordance with all local standards and requirements.

WARNING:

- Improper connection of the equipment grounding conductor can result in the risk of an electric shock. Check with a qualified electrician or service representative if you are in doubt whether the appliance is properly grounded. Do not modify the plug provided with the appliance; If it is not fit for the outlet. Have a proper outlet installed by a qualified electrician.



ENVIRONMENTAL PROTECTION

Waste electrical products should not be disposed of with household waste. Please recycle where facilities exist. Check with your Local Authority or retailer for recycling advice. This appliance is marked according to the European Directive on Waste Electrical and Electronic Equipment (WEEE).

By ensuring this product is disposed of correctly, you will help prevent potential negative consequences for the environment and human health, which could otherwise be caused by inappropriate waste handling of this product. The symbol on the product indicates that this product may not be treated as household waste. Instead it shall be handed over to the applicable collection point for the recycling of electrical and electronic equipment. Disposal must be carried out in accordance with local environmental regulations for waste disposal.

For more detailed information about treatment, recovery and recycling of this product, please contact your local council, your household waste disposal service or the retailer where you purchased the product.

CE DECLARATIONS OF CONFORMITY **CE**

This appliance has been manufactured to the strictest standards and complies with all applicable legislation, Low Voltage Directive (LVD) and Electromagnetic Compatibility (EMC).

WARRANTY:

Your new appliance is covered by warranty. The warranty card is enclosed - if it is missing, you must provide the following information to your retailer in order to receive a replacement: date of purchase, model and serial number (placed on the inside of the appliance storage drawer). Registration can also be completed online by visiting www.caple.co.uk.

Ensure you keep your warranty card safe, you may need to show it to Caple Service together with proof of purchase.

If you fail to show your warranty card you will incur all repair charges.

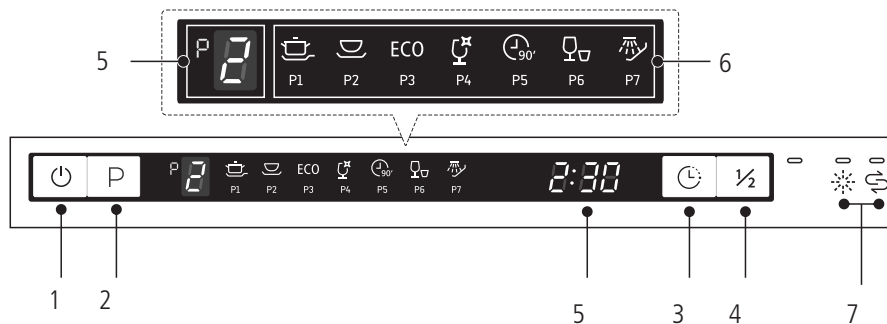
Spare parts are only available from Caple Service and spare parts authorised centres.

CONTROL PANEL

For detailed operating method read the corresponding content on the instruction manual.

IMPORTANT:

To get the best performance from your dishwasher, read all operating instructions before using it for the first time.













OPERATION (BUTTON)	
1 - POWER	Press this button to turn on your dishwasher, the screen lights up.
2 - PROGRAM	Press this button to toggle through and select the appropriate washing program. The corresponding indicator will be lit.
3 - DELAY	Press this button to set the delayed hours for washing. You can delay the start of washing up to 24 hours. One press on this button delays the start of washing by one hour.
4 - HALF-LOAD	For small loads, you may use just the upper or lower rack to save energy. Each press of the Half Load button cycles between upper rack only and lower rack only.



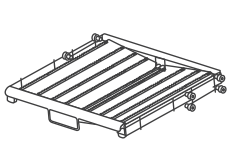
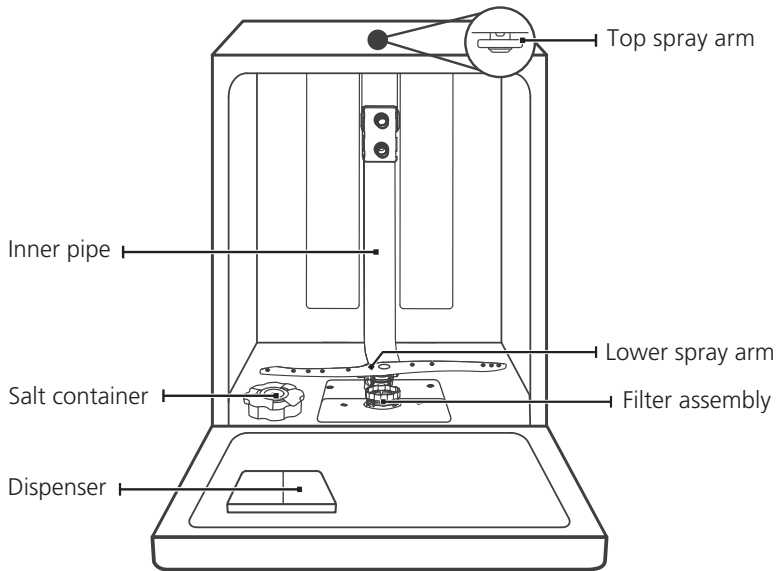
C

DISPLAY

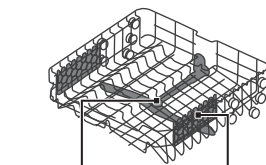
<p>5 - DISPLAY SCREEN</p>	<p> To show the selected program.</p> <p> To show the remaining time, delay time and error codes etc.</p>
<p>6 - PROGRAM SCREEN</p>	<p> INTENSIVE Heavily soiled items include pots and pans. With dried on food.</p> <p> NORMAL For normally soiled loads, such as pots, plates, glasses and lightly soiled pans.</p> <p>ECO ECO This is the standard program suitable for normally soiled loads, such as pots, plates, glasses and lightly soiled pans.</p> <p> GLASS For lightly soiled crockery and glass.</p> <p> 90 MIN For normally soiled loads that need a quick wash.</p> <p> RAPID A shorter wash for lightly soiled loads that do not need drying.</p> <p> PREWASH To rinse dishes that you plan to wash later that day.</p>
<p>7 - WARNING INDICATOR</p>	<p> RINSE AID If the "☀" indicator is lit, it means the dishwasher is low on dishwasher rinse aid and requires a refill.</p> <p> SALT If the "♁" indicator is lit, it means the dishwasher is low on dishwasher salt and needs to be refilled.</p>



PRODUCT OVERVIEW



Cutlery rack



Upper basket



Lower basket

PRIOR TO USING FOR THE FIRST TIME

Before using your dishwasher for the first time:

- » Set the water softener.
- » Add 1.5Kg dishwasher salt and then fill the salt container with water.
- » Fill the Rinse Aid dispenser.
- » Fill in detergent.





WATER SOFTENER

The water softener must be set manually, using the water hardness dial.

The water softener is designed to remove minerals and salts from the water, which would have a detrimental or adverse effect on the operation of the appliance.

The more minerals there are, the harder your water is. The softener should be adjusted according to the hardness of the water in your area. Your local Water Authority can advise you on the hardness of the water in your area.

ADJUSTING SALT CONSUMPTION

The dishwasher is designed to allow for adjustment in the amount of salt consumed based on the hardness of the water used. This is intended to optimise and customise the level of salt consumption.

Please follow the steps below for adjustment in salt consumption.

1. Switch on the appliance;
2. Press the Program button for more than 5 seconds to start the water softener set model within 60seconds after the appliance was switched on;
3. Press the Program button to select the proper set according to your local environment, the sets will change in the following sequence:
H1->H2->H3->H4->H5->H6;
4. Press the Power button to end the set up model.

WATER HARDNESS				Water softener level	Salt consumption (gram/cycle)
GERMAN °DH	FRENCH °FH	BRITISH °CLARKE	MMOL/L		
0~5	0~9	0~6	0~0.94	H1	0
6-11	10-20	7-14	1.0-2.0	H2	9
12-17	21-30	15-21	2.1-3.0	H3	12
18-22	31-40	22-28	3.1-4.0	H4	20
23-34	41-60	29-42	4.1-6.0	H5	30
35-55	61-98	43-69	6.1-9.8	H6	60

1°dH=1.25°Clarke=1.78 °fH=0.178mmol/l

The manufactory setting: H3

Contact your local water board for information on the hardness of your water supply.





LOADING THE SALT INTO THE SOFTENER

NOTE:

The salt container is located beneath the lower basket and should be filled as explained in the following:

WARNING

ONLY USE SALT SPECIFICALLY DESIGNED FOR DISHWASHERS USE:

Every other type of salt not specifically designed for dishwasher use, especially table salt, will damage the water softener. In case of damages caused by the use of unsuitable salt the manufacturer does not give any warranty nor is liable for any damages caused.

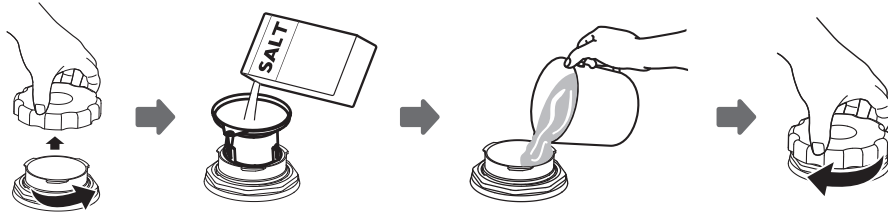
ONLY FILL WITH SALT BEFORE RUNNING A CYCLE.

This will prevent any grains of salt or salty water, which may have been spilled, remaining on the bottom of the machine for any period of time, which may cause corrosion.




C

Please follow the steps below for adding dishwasher salt:



1. Remove the lower basket and unscrew the reservoir cap.
2. Place the end of the funnel (supplied) into the hole and pour in about 1.5kg of dishwasher salt.
3. Fill the salt container to its maximum limit with water, It is normal for a small amount of water to come out of the salt container.
4. After filling the container, screw back the cap tightly.
5. The salt warning light will turn off after the salt container has been filled with salt.
6. Immediately after filling the salt into the salt container, a washing program should be started (We suggest to use a short program). Otherwise the filter system, pump or other important parts of the machine may be damaged by salty water.

NOTE:

The salt container must only be refilled when the salt warning light () in the control panel comes on. Depending on how well the salt dissolves, the salt warning light may still be on even though the salt container is filled.

If salt has spilled, run a soak or quick program to remove it.





RINSE AID AND DETERGENT DISPENSER

The rinse aid is released during the final rinse to prevent water from forming droplets on your dishes, which can leave spots and streaks. It also improves drying by allowing water to roll off the dishes. Your dishwasher is designed to use liquid rinse aids.

WARNING

Only use branded rinse aid for dishwasher. Never fill the rinse aid dispenser with any other substances (e.g. Dishwasher cleaning agent, liquid detergent). This would damage the appliance.

WHEN TO REFILL THE RINSE AID DISPENSER

Unless the rinse-aid warning light (☼) on the control panel is on, you can always estimate the amount from the colour of the optical level indicator located next to the cap. When the rinse-aid container is full, the indicator will be fully dark. The size of the dark dot decreases as the rinse-aid diminishes. You should never let the rinse aid level be less than 1/4 full.

As the rinse aid diminishes, the size of the black dot on the rinse aid level indicator changes, as illustrated below.

- Full
- 3/4 full
- 1/2 full
- 1/4 full - Should refill to eliminate spotting
- Empty

FUNCTION OF DETERGENT

The chemical ingredients that compose the detergent are necessary to remove, crush and dispense all dirt out of the dishwasher. Most of the commercial quality detergents are suitable for this purpose.

WARNING

Proper Use of Detergent. Use only detergent specifically made for dishwashers use. Keep your detergent fresh and dry. Don't put powdered detergent into the dispenser until you are ready to wash dishes.

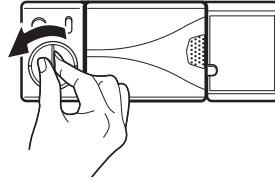
Dishwasher detergent is corrosive. Keep dishwasher detergent out of the reach of children.



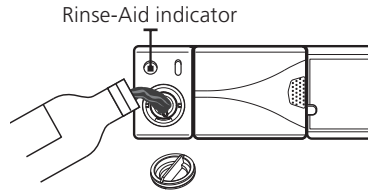
C

FILLING THE RINSE AID RESERVOIR

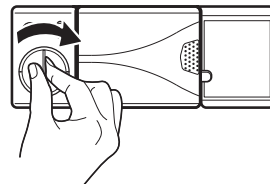
1. Remove the rinse aid reservoir cap by rotating it counterclockwise.



2. Pour the rinse aid into the dispenser, being careful not to overfill.



3. Close the rinse aid reservoir cap by rotating it clockwise.



NOTE:

Clean up any spilled rinse aid with an absorbent cloth to avoid excessive foaming during the next wash.

ADJUSTING THE RINSE AID RESERVOIR

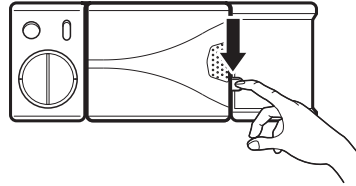
Turn the rinse aid indicator dial to a number between 1 and 6. The higher the number, the more rinse aid the dishwasher uses. If the dishes are not drying properly or are spotted, adjust the dial to the next higher number until your dishes are spot-free. Reduce it if there are sticky whitish stains on your dishes or a bluish film on glassware or knife blades.



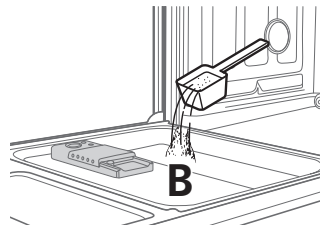
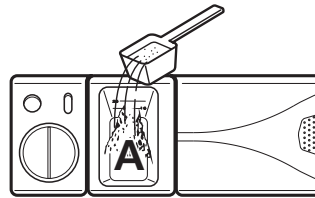


FILLING THE DETERGENT DISPENSER

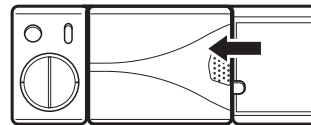
1. Open the detergent dispenser flap by pushing the detergent dispenser release catch.



2. Add detergent into the larger cavity (A) for the main wash cycle. For better cleaning result, especially if you have heavily soiled items, pour a small amount of detergent onto the door. The additional detergent will activate during the pre-wash phase.



3. Close the flap by sliding it to the left and then pressing it down.



NOTE:

Please observe the manufacturer's recommendations on the detergent packaging.





C

LOADING THE BASKETS

PREPARING AND LOADING DISHES

- » Consider buying utensils which are identified as dishwasher-proof.
- » For particular items, select a program with the lowest possible temperature.
- » To prevent damage, do not take glass and cutlery out of the dishwasher immediately after the program has ended.

FOR WASHING THE FOLLOWING CUTLERY/DISHES

ARE NOT SUITABLE:

- » Cutlery with wooden, horn china or mother-of-pearl handles
- » Plastic items that are not heat resistant
- » Older cutlery with glued parts that are not temperature resistant
- » Bonded cutlery items or dishes
- » Pewter or copper items
- » Crystal glass
- » Steel items subject to rusting
- » Wooden platters
- » Items made from synthetic fibres

ARE OF LIMITED SUITABILITY:

- » Some types of glasses can become dull after a large number of washes
- » Silver and aluminium parts have a tendency to discolour during washing
- » Glazed patterns may fade if machine washed frequently



RECOMMENDATIONS FOR LOADING THE DISHWASHER

Scrape off any large amounts of leftover food. Soften remnants of burnt food in pans. It is not necessary to rinse the dishes under running water. For best performance of the dishwasher, follow these loading guidelines.

Place objects in the dishwasher in the following way:

- » Items such as cups, glasses, pots/pans, etc. are faced downwards.
- » Curved items, or ones with recesses, should be loaded aslant so that water can run off.
- » All utensils are stacked securely and cannot tip over.
- » All utensils are placed in the way that the spray arms can rotate freely during washing.
- » Load hollow items such as cups, glasses, pans etc. With the opening facing downwards so that water cannot collect in the container or a deep base.
- » Dishes and items of cutlery must not lie inside one another, or cover each other.
- » To avoid damage, glasses should not touch one another.
- » The upper basket is designed to hold more delicate and lighter dishware such as glasses, coffee and tea cups.
- » Long bladed knives stored in an upright position are a potential hazard!
- » Long and / or sharp items of cutlery such as carving knives must be positioned horizontally in the upper basket.
- » Please do not overload your dishwasher. This is important for good results and for reasonable consumption of energy.

NOTE:

Very small items should not be washed in the dishwasher as they could easily fall out of the basket.



REMOVING THE DISHES

To prevent water dripping from the upper basket into the lower basket, we recommend that you empty the lower basket first and then the upper basket.

WARNING

Items will be hot.

To prevent damage, do not take glass and cutlery out of the dishwasher for around 15 minutes after the program has ended.

LOADING THE UPPER BASKET

The upper basket is designed to hold more delicate and lighter dishware such as glasses, coffee and tea cups and saucers, as well as plates, small bowls and shallow pans (as long as they are not too dirty). Position the dishes and cookware so that they will not get moved by the spray of water.

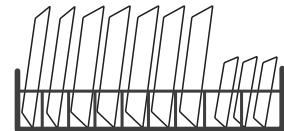


Please be reminded that:

- » Pots, serving bowls, etc., must always be placed top down.
- » Deep pots should be slanted to allow water to flow out.
- » The Bottom Basket features folding spikes so that larger or more pots and pans can be loaded.

LOADING THE LOWER BASKET

We suggest that you place large items and the most difficult to clean items into the lower basket: such as pots, pans, lids, serving dishes and bowls, as shown in the figure (right). It is preferable to place serving dishes and lids on the side of the racks in order to avoid blocking the rotation of the top spray arm.



LOADING THE CUTLERY BASKET

Cutlery should be placed in the cutlery rack separately from each other in the appropriate positions, and do make sure the utensils do not nest together, this may cause bad washing performances.

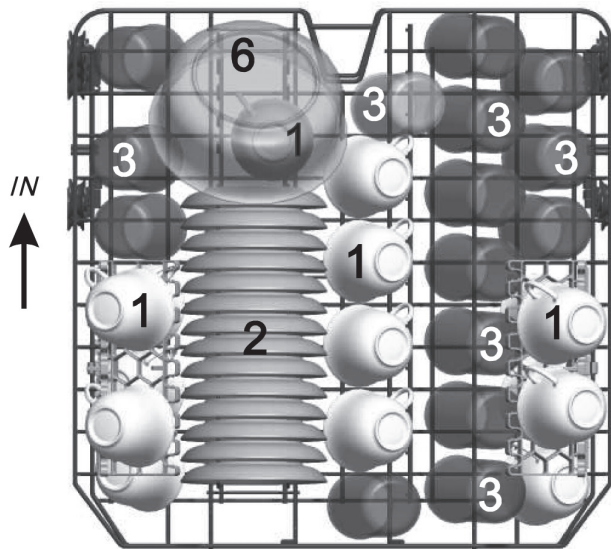
WARNING

Do not let any item extend through the bottom. Always load sharp utensils with the sharp point down.



LOADING THE BASKETS:

1. Upper Basket



Cups



Saucers



Glasses



Small serving bowl



Medium serving bowl



Large serving bowl



Dessert dishes



Dinner plates

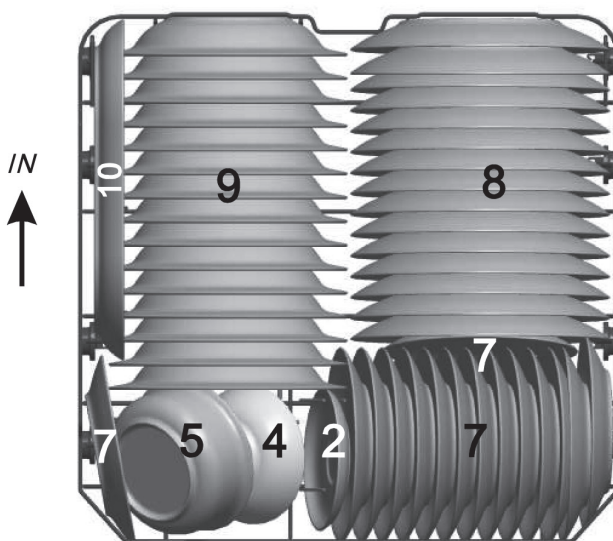


Soup plates



Oval plates

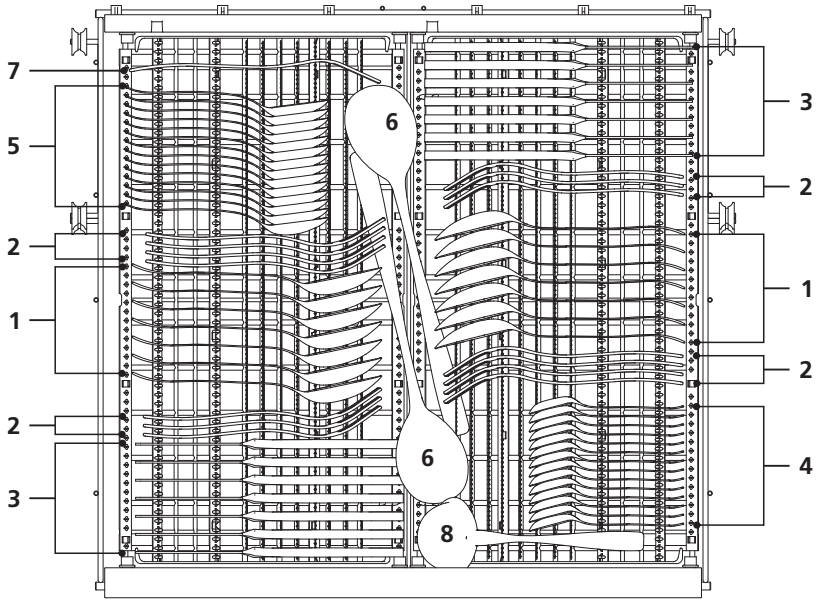
2. Lower Basket





C

CUTLERY RACK



1. Soup spoons



5. Dessert spoons



2. Forks



6. Serving spoons



3. Knives



7. Serving forks



4. Teaspoons



8. Gravy ladle



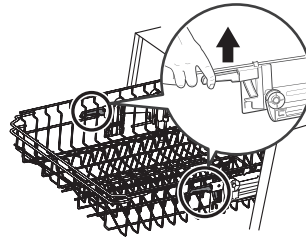
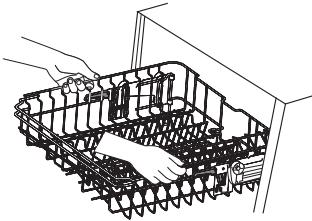


BASKET TIPS

ADJUSTING THE UPPER BASKET

The height of the upper basket can be easily adjusted to accommodate taller dishes in either the upper or lower basket.

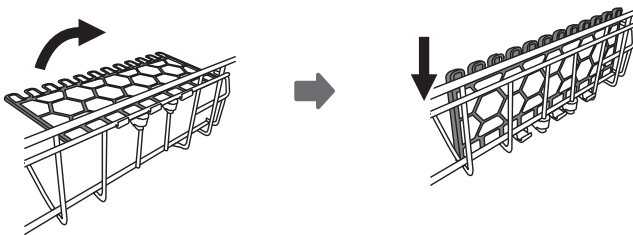
To adjust the height of the upper rack, follow these steps:



1. To raise the rack to the upper position, lift rack until both sides are at the same height. The rack will secure into place.
2. To lower the rack, pull on the handles and push the rack down.

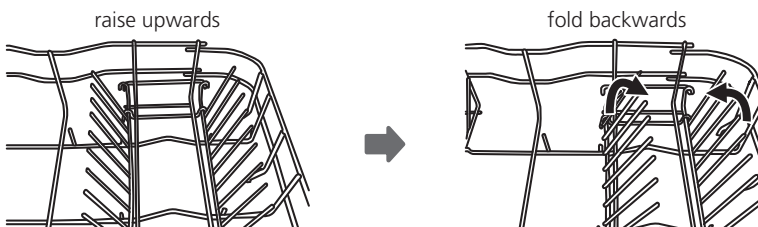
FOLDING BACK THE CUP SHELVES

To make room for taller items in the dishwasher basket, raise the cup rack upwards. You can then lean the tall glasses against it. You can also remove it when it is not required for use.



FOLDING BACK THE RACK SHELVES

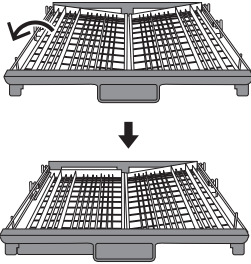
The spikes are used for holding plates and a platter. They can be lowered to make more room for large items.



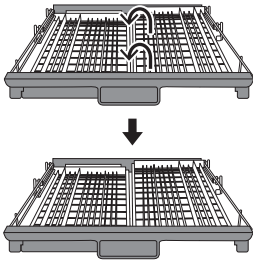


C

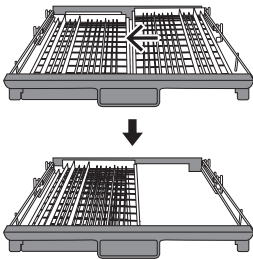
CUTLERY RACK TIPS



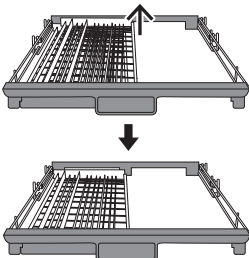
Lift the left basket up, adjust it to lower position, left basket is flat and right basket is sloping.



Lift the right basket up, both left and right baskets are flat.



Move the right basket from right to left, two baskets are overlapping. This creates more space for the upper basket below, for taller glasses etc.



Remove the right basket from the tray.



PROGRAMMING THE DISHWASHER

WASH CYCLE TABLE

The table below shows which programmes are best for the levels of food residue on them and how much detergent is needed. It also show various information about the programmes. (●) Means: need to fill rinse into the Rinse-Aid Dispenser.

PROGRAMME	DESCRIPTION OF CYCLE	DETERGENT PRE/MAIN	RUNNING TIME (MIN)	ENERGY (KWH)	WATER (L)	RINSE AID
 Intensive	Pre-wash(50°C) Wash (60°C) Rinse Rinse Rinse(70°C) Drying	5/30g 1or2 pieces	170	1.6	18.5	●
 Normal	Pre-wash(45°C) Wash (55°C) Rinse Rinse (65°C) Drying	5/30g 1or2 pieces	180	1.3	15	●
ECO (*EN 50242)	Pre-wash Wash (45°C) Rinse(55°C) Drying	5/30g 1or2 pieces	190	0.93	11	●
 Eco	Pre-wash Wash (40°C) Rinse Rinse(60°C) Drying	5/30g 1 piece	130	0.9	14.5	●
 90°	Wash (65°C) Rinse Rinse (65°C) Drying	35g 1 pieces	90	1.35	12.5	●
	Wash (45°C) Rinse (55°C) Rinse (55°C)	25g	30	0.75	11	○
	Prewash		15	0.02	4	



C

NOTE: EN 50242:

This program is the test cycle. The information for comparability test in accordance with EN 50242.

STARTING A CYCLE WASH

- » Draw out the lower and upper basket, load the dishes and push them back. It is commended to load the lower basket first, then the upper one.
- » Pour in the detergent.
- » Insert the plug into the socket. The power supply refer to last page "Technical fiche". Make sure that the water supply is turned on to full pressure.
- » Open the door, Press the Power button.
- » Choose a program, the response light will turn on. Then close the door, the dishwasher will start its cycle.

CHANGING THE PROGRAM MID-CYCLE

A wash cycle can only be changed if it has been running for a short time otherwise, the detergent may have already been released and the dishwasher may have already drained the wash water. If this is the case, the dishwasher needs to be reset and the detergent dispenser must be refilled. To reset the dishwasher, follow the instructions below:

- » Open the door a little to stop the dishwasher, after the spray arm stop working, you can open the door completely.
- » Press and hold the Program button for 3-5 seconds. The machine will enter stand by mode.
- » You can then change the Program to the desired cycle setting.

FORGET TO ADD A DISH?

A forgotten dish can be added any time before the detergent dispenser opens. If this is the case, follow the instructions below:

- » Open the door a little to stop the washing.
- » After the spray arms stop working, you can open the door completely.
- » Add the forgotten dishes.
- » Close the door.
- » The dishwasher will start running again.

WARNING

It is dangerous to open the door mid-cycle, as hot steam may scald you.



CLEANING AND MAINTENANCE

EXTERNAL CARE

THE DOOR AND THE DOOR SEAL

Clean the door seals regularly with a soft damp cloth to remove food deposits. When the dishwasher is being loaded, food and drink residues may drip onto the sides of the dishwasher door. These surfaces are outside the wash cabinet and are not accessed by water from the spray arms. Any deposits should be wiped off before the door is closed.

THE CONTROL PANEL

If cleaning is required, the control panel should be wiped with a soft damp cloth **ONLY**.

WARNING

To avoid penetration of water into the door lock and electrical components, do not use a spray cleaner of any kind.

Never use abrasive cleaners or scouring pads on the outer surfaces because they may scratch the finish. Some paper towels may also scratch or leave marks on the surface.

INTERNAL CARE

FILTERING SYSTEM

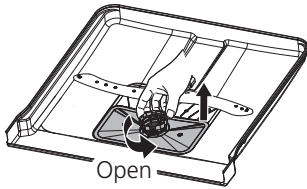
The filtering system in the base of the dishwasher retains coarse debris from the washing cycle. The collected coarse debris may cause the filters to clog. Check the condition of the filters regularly and clean them if necessary under running water. Follow the steps below to clean the filters in the wash cabinet.

NOTE:

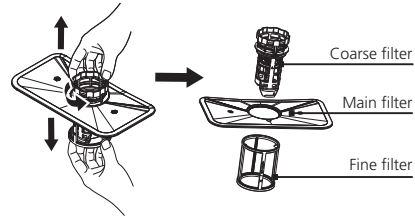
Pictures are only for reference, different models of the filtering system and spray arms may be different.



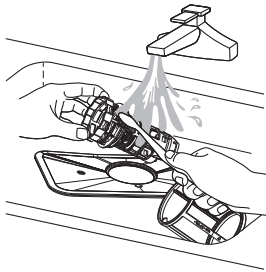
C



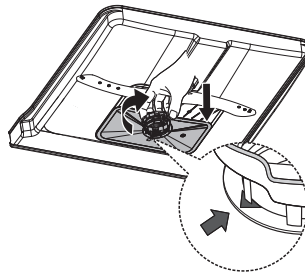
1. Hold the coarse filter and rotate it anticlockwise to unlock the filter. Lift the filter upwards and out of the dishwasher.



2. The fine filter can be pulled off the bottom of the filter assembly. The coarse filter can be detached from the main filter by gently squeezing the tabs at the top and pulling it away.



3. Larger food remnants can be cleaned by rinsing the filter under running water. For a more thorough clean, use a soft cleaning brush.



4. Reassemble the filters in the reverse order of the disassembly, replace the filter insert, and rotate clockwise to the close arrow.

WARNING

Do not over tighten the filters. Put the filters back in sequence securely, otherwise coarse debris could get into the system and cause a blockage.

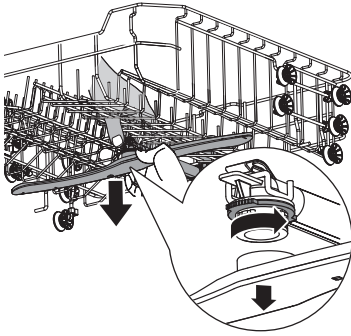
NEVER use the dishwasher without filters in place. Improper replacement of the filter may reduce the performance level of the appliance and damage dishes and utensils.



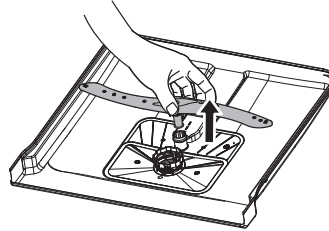


SPRAY ARMS

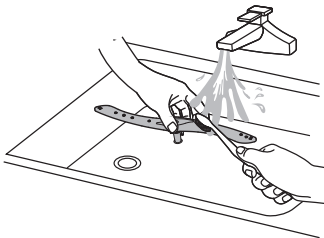
It is necessary to clean the spray arms regularly as hard water chemicals will clog the spray arm jets and bearings. To clean the spray arms, follow the instructions below:



1. To remove the upper spray arm, hold the nut in the centre still and rotate the spray arm counter-clockwise to remove it.



2. To remove the lower spray arm, pull out the spray arm.



3. Wash the arms in soapy warm water and use a soft brush to clean the jets. Replace them after rinsing them thoroughly.





CARING FOR THE DISHWASHER

FROST PRECAUTION

Please take frost protection measures on the dishwasher in the winter. We recommend after every wash cycle, please operate as follows:

1. Cut off the electrical power to the dishwasher at the supply source.
2. Turn off the water supply and disconnect the water inlet pipe from the water valve.
3. Drain the water from the inlet pipe and water valve. (Use a pan to gather the water)
4. Reconnect the water inlet pipe to the water valve.
5. Remove the filter at the bottom of the dishwasher and use a sponge to soak up water in the sump.

AFTER EVERY WASH

After every wash, we recommend that you turn off the water supply to the appliance and leave the door slightly open so that moisture and odours are not trapped inside.

REMOVE THE PLUG

Before cleaning or performing maintenance, always remove the plug from the socket.

NO SOLVENTS OR ABRASIVE CLEANING

To clean the exterior and rubber parts of the dishwasher, do not use solvents or abrasive cleaning products. Only use a cloth with warm soapy water. To remove spots or stains from the surface of the interior, use a cloth dampened with water and a little vinegar, or a cleaning product made specifically for dishwashers.

WHEN NOT IN USE FOR A LONGTIME

It is recommend that you run a wash cycle with the dishwasher empty and then remove the plug from the socket, turn off the water supply and leave the door of the appliance slightly open. This will help the door seals to last longer and prevent odours from forming within the appliance.

MOVING THE APPLIANCE

If the appliance must be moved, try to keep it in the vertical position. If absolutely necessary, it can be positioned on its back.



INSTALLATION INSTRUCTION

WARNING

ELECTRICAL SHOCK HAZARD

Disconnect electrical power before installing dishwasher.
Failure to do so could result in death or electrical shock.

ATTENTION:

The installation of the pipes and electrical equipments should be done by professionals.

ABOUT POWER CONNECTION

WARNING:

For personal safety:

- » Do not use an extension cord or an adapter plug with this appliance.
- » Do not, under any circumstances, cut or remove the earthing connection from the power cord.

ELECTRICAL REQUIREMENTS

Please look at the rating label to know the rating voltage and connect the dishwasher to the appropriate power supply. Use the required fuse 10A or 13A, time delay fuse or circuit breaker recommended and provide a separate circuit serving only this appliance.

ELECTRICAL CONNECTION

Ensure the voltage and frequency of the power being corresponds to those on the rating plate. Only insert the plug into an electrical socket which is earthed properly. If the electrical socket to which the appliance must be connected is not appropriate for the plug, replace the socket, rather than using a adaptors or the like as they could cause overheating and burns.

ENSURE THAT PROPER EARTHING EXISTS BEFORE USE

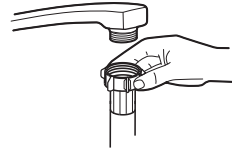


C

WATER SUPPLY AND DRAIN

COLD WATER CONNECTION

Cold water connection Connect the cold water supply hose to a threaded 3/4 inch connector and make sure that it is fastened tightly in place. If the water pipes are new or have not been used for an extended period of time, let the water run to make sure that the water is clear. This precaution is needed to avoid the risk of the water inlet to be blocked and damaged.



ordinary supply hose



safety supply hose

ABOUT THE SAFETY SUPPLY HOSE

The safety supply hose consists of the double walls. The hose's system guarantees its intervention by blocking the flow of water in case of the supply hose breaking and when the air space between the supply hose itself and the outer corrugated hose is full of water.

WARNING

A hose that attaches to a sink spray can burst if it is installed on the same water line as the dishwasher. If your sink has one, it is recommended that the hose be disconnected and the hole plugged.

HOW TO CONNECT THE SAFETY SUPPLY HOSE

1. Pull The safety supply hoses completely out from storage compartment located at rear of dishwasher.
2. Tighten the screws of the safety supply hose to the faucet with thread 3/4inch.
3. Turn water fully on before starting the dishwasher.

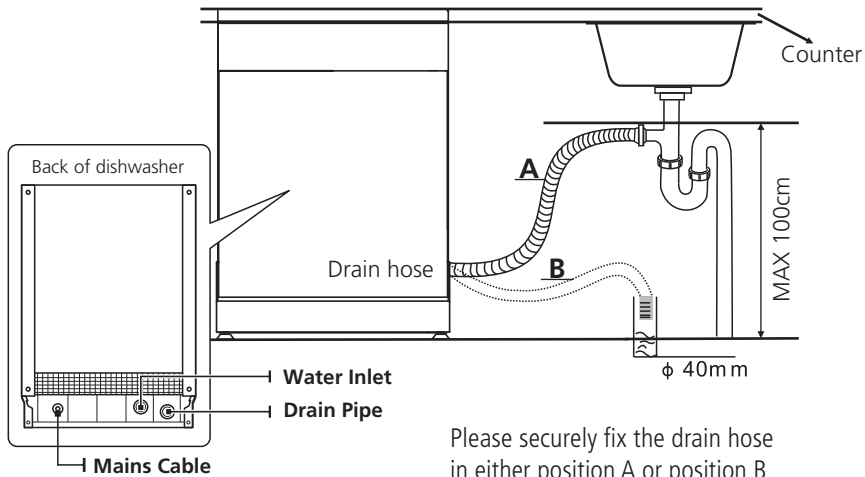
HOW TO DISCONNECT THE SAFETY SUPPLY HOSE

1. Turn off the water.
2. Unscrew the safety supply hose from the faucet.



CONNECTION OF DRAIN HOSES

Insert the drain hose into a drain pipe with a minimum diameter of 4 cm, or let it run into the sink, making sure to avoid bending or crimping it. The height of drain pipe must be less than 100cm. The free end of the hose must not be immersed in water to avoid the back flow of it.



Please securely fix the drain hose in either position A or position B

HOW TO DRAIN EXCESS WATER FROM HOSES

If the sink is higher than 100cm from the floor, the excess water in hoses cannot be drained directly into the sink. It will be necessary to drain excess water from hoses into a bowl or suitable container that is held outside and lower than the sink.

WATER OUTLET

Connect the water drain hose. The drain hose must be correctly fitted to avoid water leaks. Ensure that the water drain hose is not kinked or squashed.

EXTENSION HOSE

If you need a drain hose extension, make sure to use a similar drain hose. It must be no longer than 4 metres; otherwise the cleaning effect of the dishwasher could be reduced.

SYPHON CONNECTION

The waste connection must be at a height less than 100 cm (maximum) from the bottom of the dishwasher. The water drain hose should be fixed.





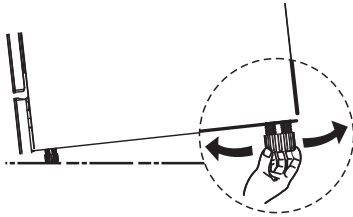
C

POSITION THE APPLIANCE

Position the appliance in the desired location. The back should rest against the wall behind it, and the sides, along the adjacent cabinets or walls. The dishwasher is equipped with water supply and drain hoses that can be positioned either to the right or the left sides to facilitate proper installation.

LEVELLING THE APPLIANCE

Once the appliance is positioned for levelling, the height of the dishwasher may be altered via adjustment of the screwing level of the feet.





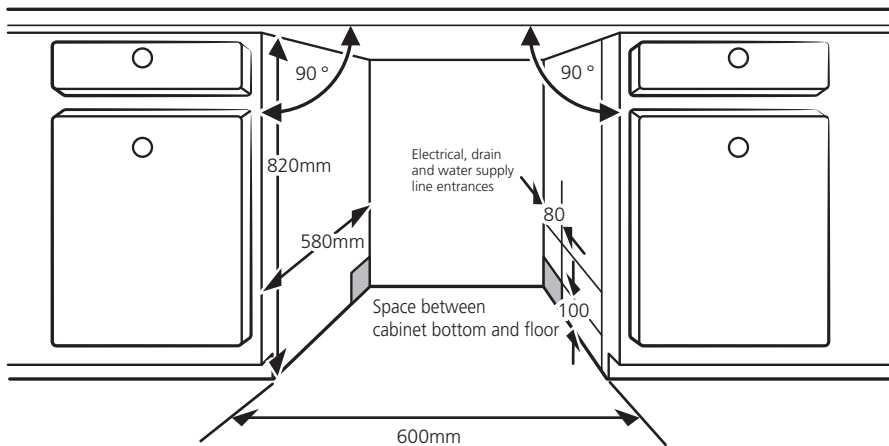
BUILT-IN INSTALLATION INSTRUCTIONS

STEP 1:

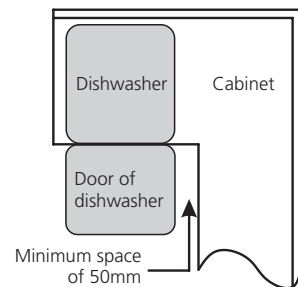
SELECTING THE BEST LOCATION FOR THE DISHWASHER

The installation position of dishwasher should be near the existing inlet and drain hoses and power cord. Illustrations of cabinet dimensions and installation position of the dishwasher:

- » Less than 5 mm between the top of dishwasher and cabinet and the outer door aligned to cabinet.



- » If dishwasher is installed at the corner of the cabinet, there should be a gap of at least 50mm when the door is opened to the adjacent cabinets.



NOTE:

Depending on where your electrical outlet is, you may need to cut a hole in the opposite cabinet side.





STEP 2:

Furniture door panel's dimensions and installation

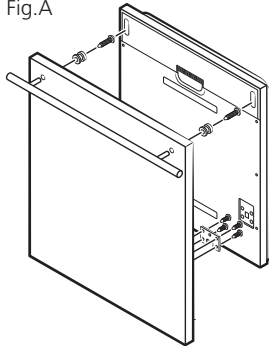
NOTE:

The furniture door weight should be 5-7KG.

FULL-INTEGRATED MODEL

Install the hook on the furniture door panel and put the hook into the slot of the outer door of dishwasher (see figure A). After positioning of the panel, fix the panel onto the outer door by screws and bolts (See figure B).

Fig.A



1. Take away the four short screws

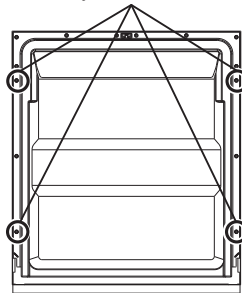
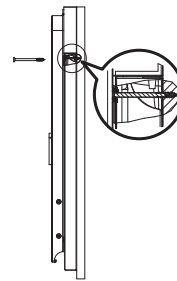


Fig.B

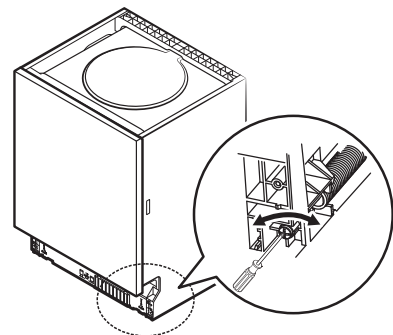


2. Insert the four long screws

STEP 3:

Tension adjustment of the door spring:

- » The door springs are set at the factory to the tension of the outer door. Once the furniture door panel is installed, you will have to adjust the door spring tension. Rotate the adjusting screw to drive the adjustor to strain or relax the steel cable.
- » The door spring tension is correct when the door remains horizontal in the fully opened position, yet rises to a close with the slight lift of a finger.





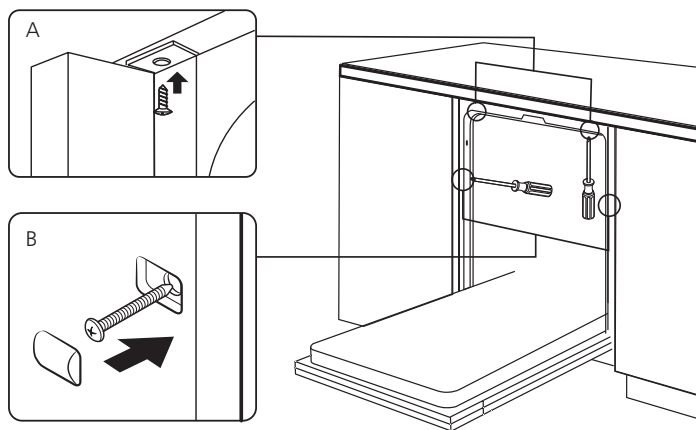
STEP 4:

Dishwasher installation steps

NOTE:

Please refer to the specified installation steps in the installation drawings.

1. Affix the condensation strip under the work surface of cabinet. Please ensure the condensation strip is flush with edge of work surface. (Step 1)
2. Connect the inlet hose to the cold water supply.
3. Connect the drain hose.
4. Connect the power cord.
5. Place the dishwasher into position.
6. Level the dishwasher. The rear foot can be adjusted from the front of the dishwasher by turning the Philips screw in the middle of the base of dishwasher. To adjust the front feet, use a flat screw driver and turn the front feet until the dishwasher is level. (Step 5 to Step 6)
7. Install the furniture door to the outer door of the dishwasher. (Step 2)
8. Adjust the tension of the door springs by using a screwdriver and turning in a clockwise motion to tighten the left and right door springs. Failure to do this could cause damage to your dishwasher. (Step 3)
9. The dishwasher must be secured in place. There are two ways to do this:
 - » Normal work surface: Put the installation hook into the slot of the side plane and secure it to the work surface with the wood screws.
 - » Marble or granite work top: fix to the side panel with the screws provided.





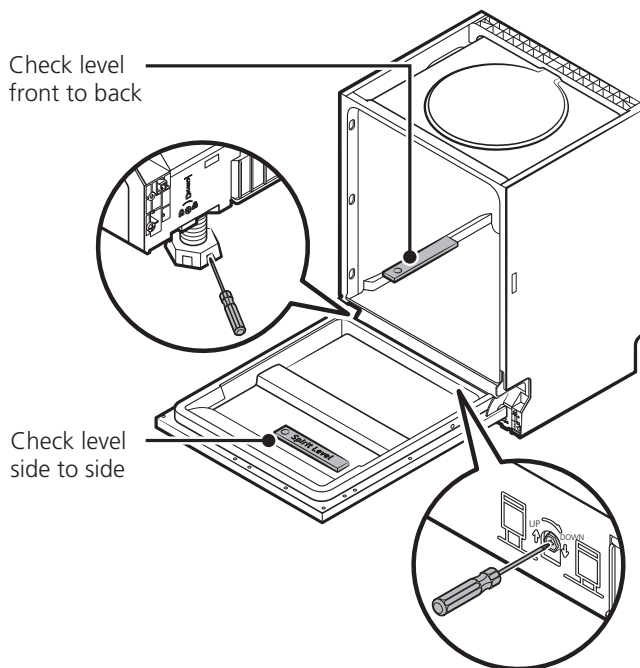
C

STEP 5:

Levelling the dishwasher

The dishwasher must be level for proper operation and wash performance.

- » Place a spirit level on the door and rack track inside the dishwasher as shown to check that the dishwasher is level.
- » Level the dishwasher by adjusting the three levelling legs individually.
- » When levelling the dishwasher, please pay attention not to let the dishwasher tip over.



NOTE:

The maximum adjustment height of the feet is 50 mm.



TROUBLESHOOTING

BEFORE CALLING FOR SERVICE

TYPE	PROBLEM	POSSIBLE CAUSES	WHAT TO DO
TECHNICAL PROBLEMS	Dishwasher doesn't start	Fuse blown, or the circuit breaker acted	Replace fuse or reset circuit breaker. Remove any other appliances sharing the same circuit with the dishwasher.
		Power supply is not turned on	Make sure the dishwasher is turned on and the door is closed securely. Make sure the power cord is properly plugged into the wall socket.
		Water pressure is low	Check that the water supply is connected properly and the water is turned on.
		Door of dishwasher not properly closed.	Make sure to close the door properly and latch it.
	Water not pumped from dishwasher	Kink in drain hose	Check drain hose.
		Filter clogged	Check coarse filter (see section titled the " Cleaning The Filter "
Kitchen sink clogged		Check the kitchen sink to make sure it is draining well. If the problem is the kitchen sink not draining, you may need a plumber.	
GENERAL PROBLEMS	Suds in the tub	Improper detergent	Use only the special dishwasher detergent to avoid suds. If this occurs, open the dishwasher and let suds evaporate. Add 1 gallon of cold water to the tub. Close and latch the dishwasher, then select any cycle. Dishwasher will drain out the water at the first step. Open the door after draining to stop and check if the suds have disappeared. Repeat if necessary.
		Spilled Rinse Aid	Always wipe up Rinse Aid spills immediately
	Stained tub interior	Detergent with colourant was used	Make sure that the detergent is the one without colourant.
	White film on inside surface	Hard water minerals	To clean the interior, use a damp sponge with dishwasher detergent and wear rubber gloves. Never use any other cleaner than dishwasher detergent for the risk of foaming or suds.
	There are rust stains on cutlery	The affected items are not corrosion resistant.	
		A programme was not run after dishwasher salt was added. Traces of salt have gotten into the wash cycle.	Always run the quick wash programme without any crockery in the dishwasher and without selecting the Turbo function (if present), after adding dishwasher salt.
The lid of the softer is loose		Check the lip. Ensure the fix is fine.	



TYPE	PROBLEM	POSSIBLE CAUSES	WHAT TO DO
NOISE	Knocking noise in the wash cabinet	A spray arm is knocking against an item in a basket	Interrupt the programme, and rearrange the items which are obstructing the spray arm.
	Rattling noise in the wash cabinet	Items of crockery are loose in the wash cabinet	Interrupt the programme, and rearrange the items of crockery.
	Knocking noise in the water piped	This may be caused by on-site installation or the cross-section of the piping	This has no influence on the dishwasher function. If in doubt, contact a suitably qualified plumber.
UNSATISFACTORY WASHING RESULTS	The dishes are not clean	The dishes were not loaded correctly	See notes in "Loading the Dishwasher Baskets".
		The programme was not powerful enough	Select a more intensive programme. See "Wash Cycle Table".
		Not enough detergent was dispensed	Use more detergent, or change your detergent.
		Items are blocking the path of spray arms	Rearrange the items so that the spray can rotate freely.
		The filter combination in the base of wash cabinet is not clean or is not correctly fitted. This may cause the spray arm jets to get blocked.	Clean and/or fit the filter combination correctly. Clean the spray arm jets. See "Cleaning the Spray Arms".
	Cloudiness on glassware	Combination of soft water and too much detergent.	Use less detergent if you have soft water and select a shortest cycle to wash the glassware and to get them clean.
	Black or grey marks on dishes	Aluminium utensils have rubbed against dishes.	Use a mild abrasive cleaner to eliminate those marks.
Detergent left in dispenser cups	Dishes block detergent cups.	Re-loading the dishes properly.	





TYPE	PROBLEM	POSSIBLE CAUSES	WHAT TO DO
UNSATISFACTORY DRYING RESULTS	The dishes are not drying	Improper loading	Load the dishwasher as suggested in the directions.
		Too little Rinse Aid	Increase the amount of Rinse Aid/refill the Rinse Aid dispenser.
		Dishes are removed too soon	Empty the lower basket first and then the upper one. This will avoid water dripping from the upper basket onto the dishes in the lower one.
		Wrong programme has been selected	In short programme the washing temperature is lower. This also lowers cleaning performance. Choose a programme with a long washing time.
		Use of cutlery with a low-quality coating	Water drainage is more difficult with these items. Cutlery or dishes of this type are not suitable for washing in the dishwasher.



ERROR CODES

When some malfunctions occur, the appliance will display error codes to warn you:

CODES	MEANINGS	POSSIBLE CAUSES
E1	Longer inlet time.	Faucet is not opened, or water intake is restricted, or water pressure is too low.
E3	Not reach the setting temperature.	Malfunction of heating element.
E4	Overflow.	Some element of dishwasher leaks.
Ed	Failure of communication between main PCB with display pcb.	Open circuit or break wiring for the communication.

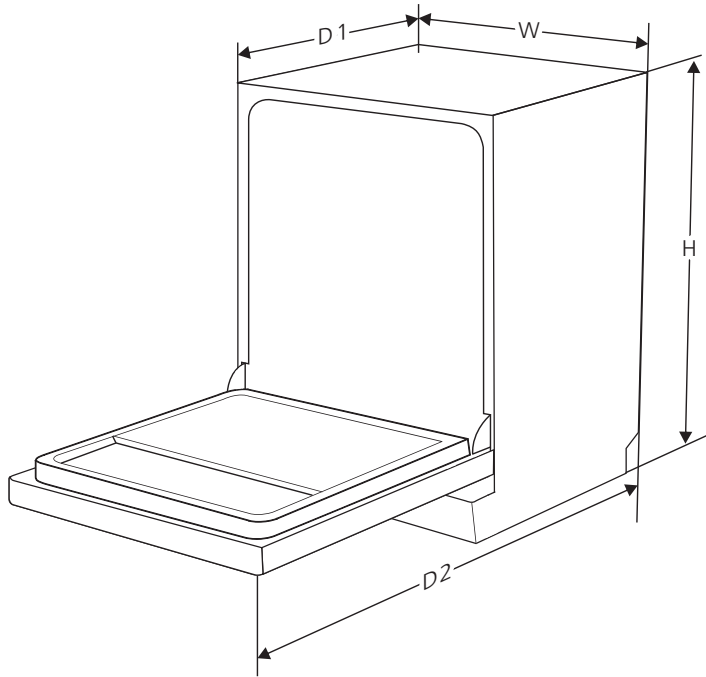
WARNING:

- » If overflow occurs, turn off the main water supply before calling a service.
- » If there is water in the base pan because of an overflow or small leak, the water should be removed before restarting the dishwasher.



G

TECHNICAL INFORMATION



HEIGHT:	815mm
WIDTH :	598 mm
DEPTH (D1):	550mm(with the door closed)
DEPTH (D2):	1150mm (with the door opened 90°)





TECHNICAL FICHE

Sheet of household dishwasher according to EU Directive 1016/2010 & 1059/2010:

Manufacturer	Caple
Type / Description	DI641
Standard place settings	14
Energy efficiency class 1	A++
Annual energy consumption 2	266 kWh
Energy consumption of the standard cleaning cycle	0.93 kWh
Power consumption of off-mode	0.45 W
Power consumption of left-on mode	0.49 W
Annual water consumption 3	3080 liter
Drying efficiency class 4	A
Standard cleaning cycle 5	ECO 45°C
Program duration of the standard cleaning cycle	190 min
Noise level	47 dB(A) re 1 pW
Could be built-in	Yes
Power consumption	1930 W
Rated voltage / frequency	230V/50Hz
Water pressure (flow pressure)	0.04-1.0MPa=0.4-10 bar

NOTE:

- 1** A+++ (highest efficiency) to D (lowest efficiency).
- 2** Energy consumption based on 280 standard cleaning cycles using cold water fill and the consumption of the low power modes. Actual energy consumption will depend on how the appliance is used.
- 3** Water consumption based on 280 standard cleaning cycles. Actual water consumption will depend on how the appliance is used.
- 4** A (highest efficiency) to G (lowest efficiency).
- 5** This program is suitable for cleaning soiled normally soiled tableware and that it is the most efficient programme in terms of its combined energy and water consumption for that type of tableware.





NOTES:





NOTES:





Caple Service T: 0117 938 1900
Fourth Way E: service@caple.co.uk
Avonmouth www.caple.co.uk
Bristol
BS11 8DW

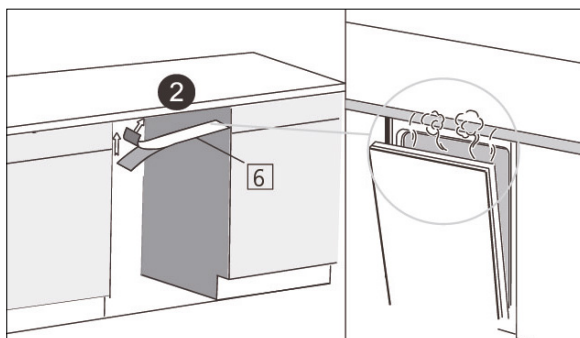
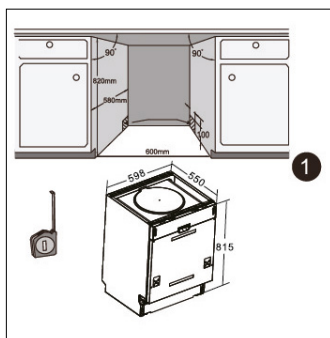


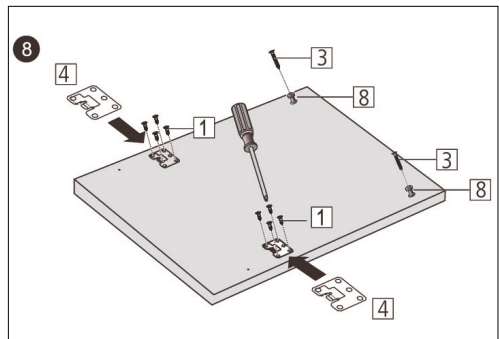
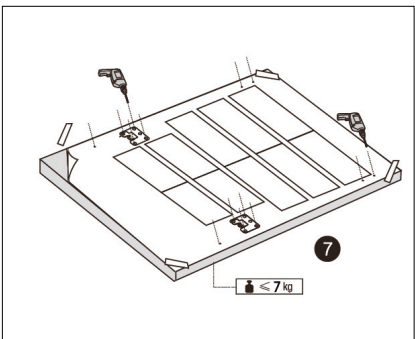
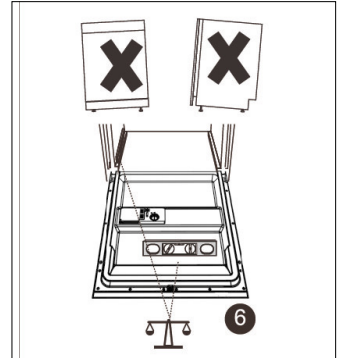
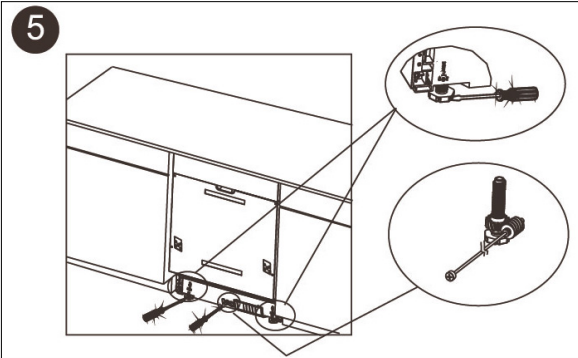
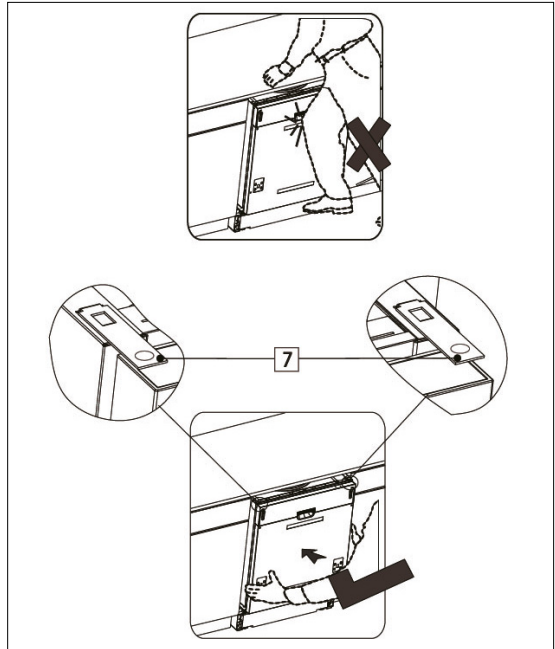
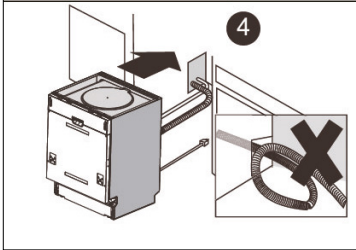
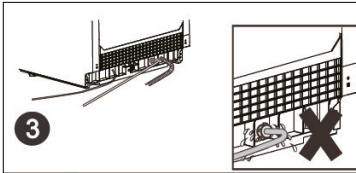


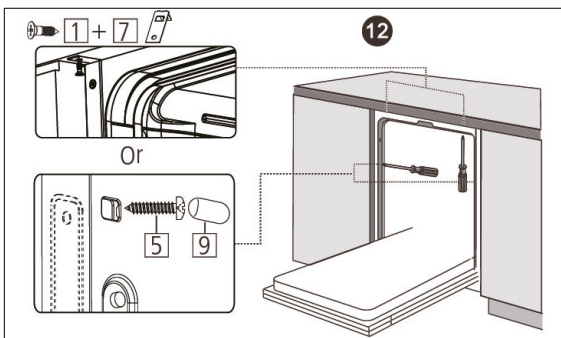
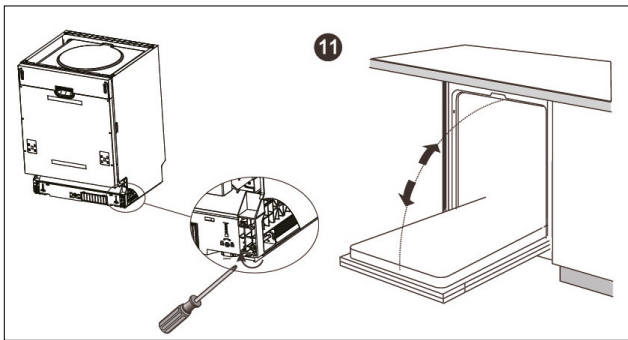
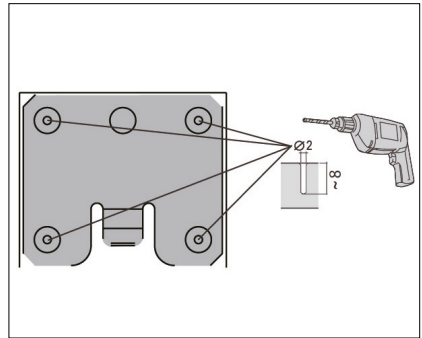
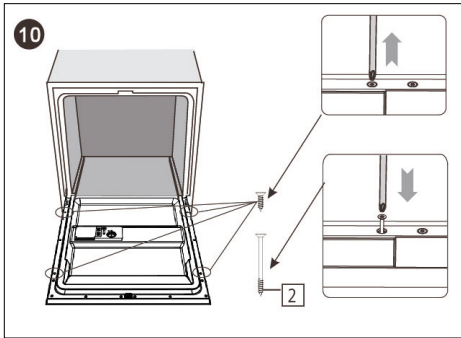
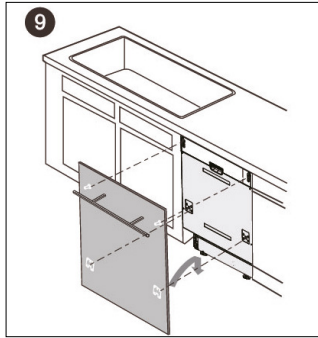
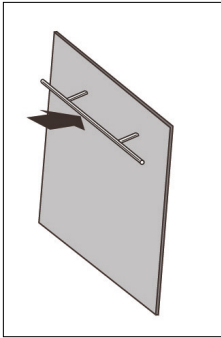
DISHWASHER INSTALLATION

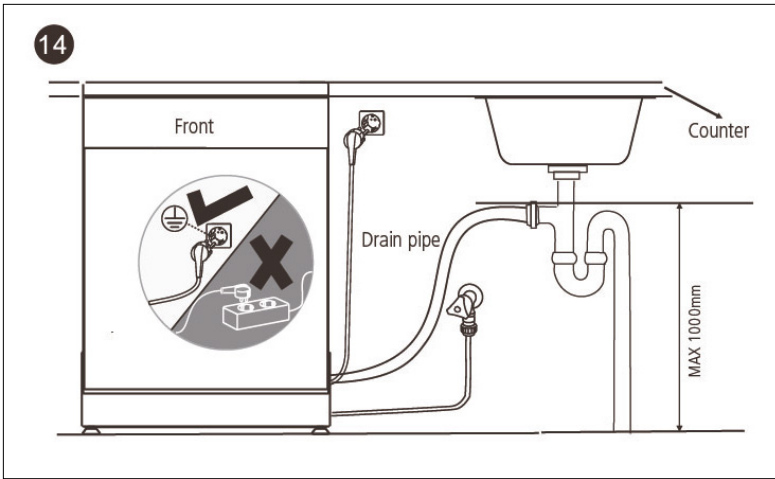
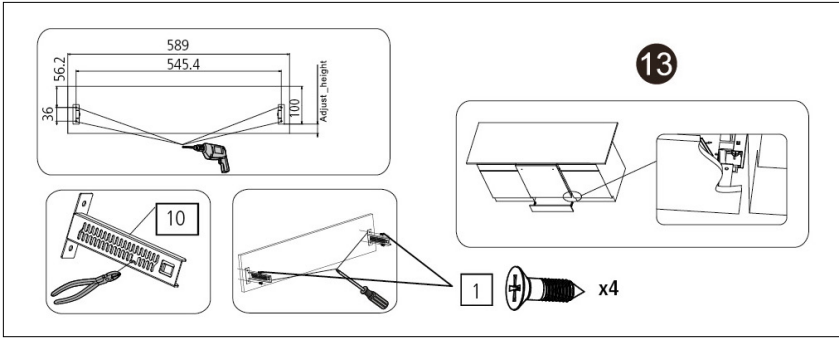
DI652, DI641 & DI631 INSTALLATION

1	ST4*14	x14	6	x1	
2	ST3.5 x 45	x4	7	x2	
3	ST3.5 x 25	x2	8	x2	
4		x2	9	x2	
5	ST3.5 x 16	x2	10	x2	



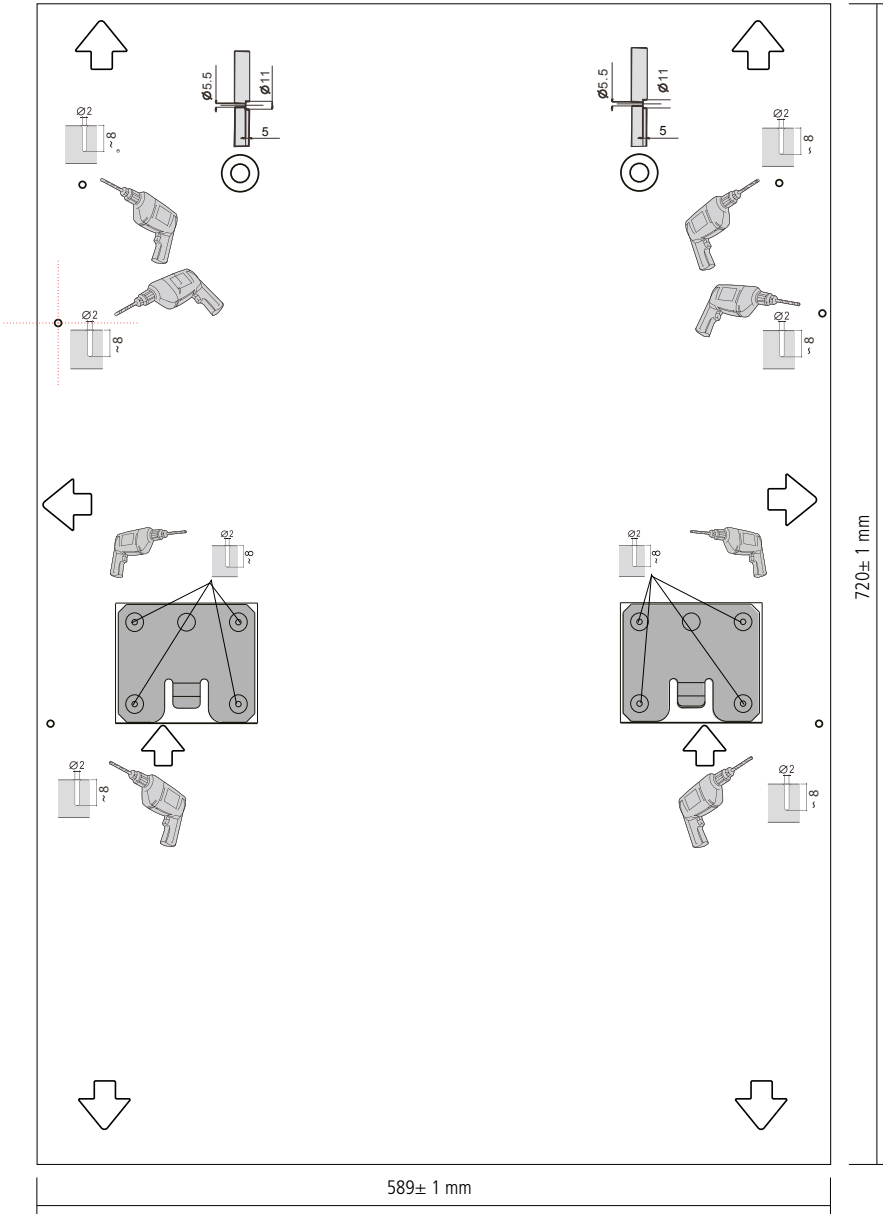






CUT-OUT DIMENSIONS

Please note image is not to scale.



Please refer to printed template supplied with dishwasher for correct scale.