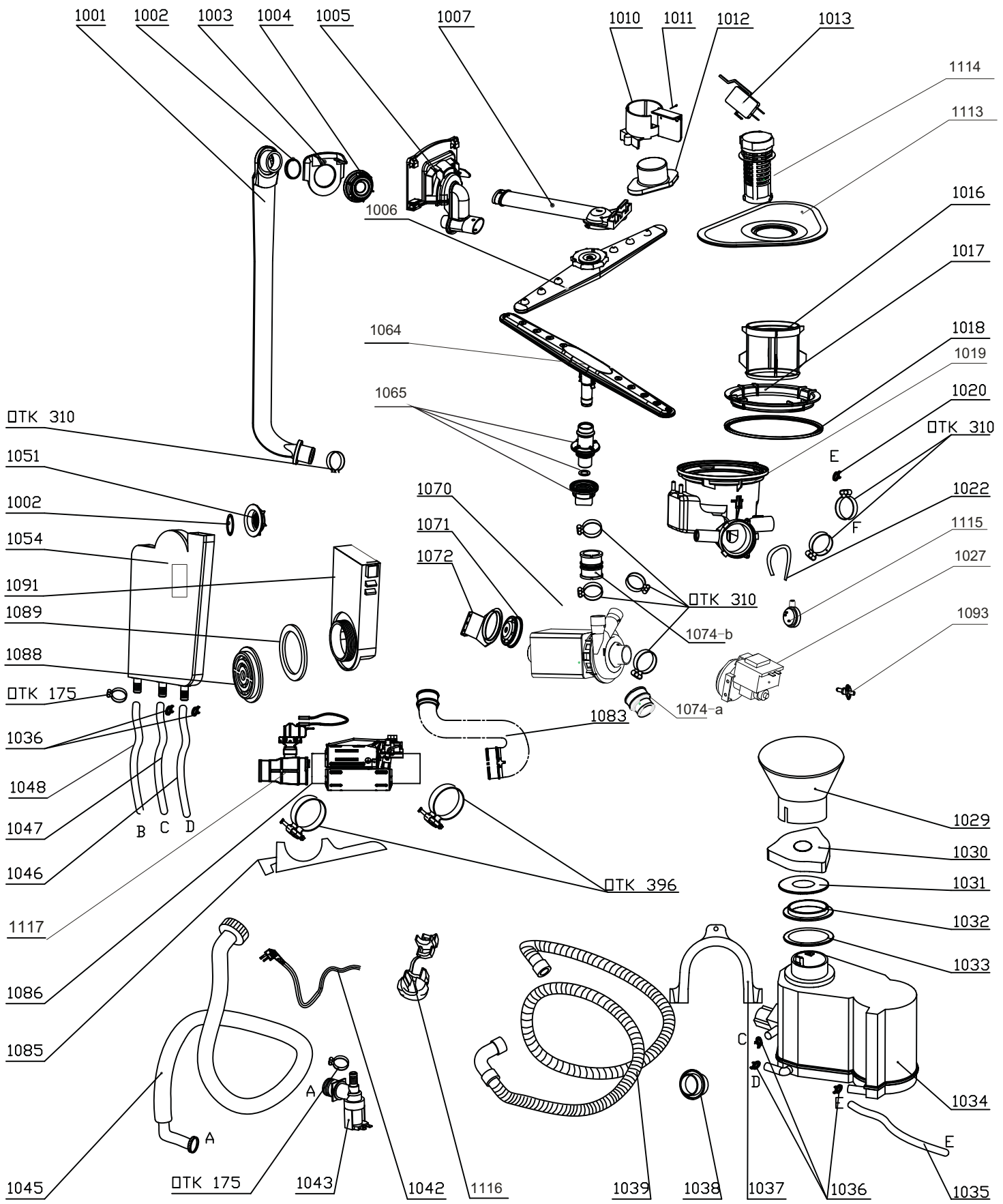


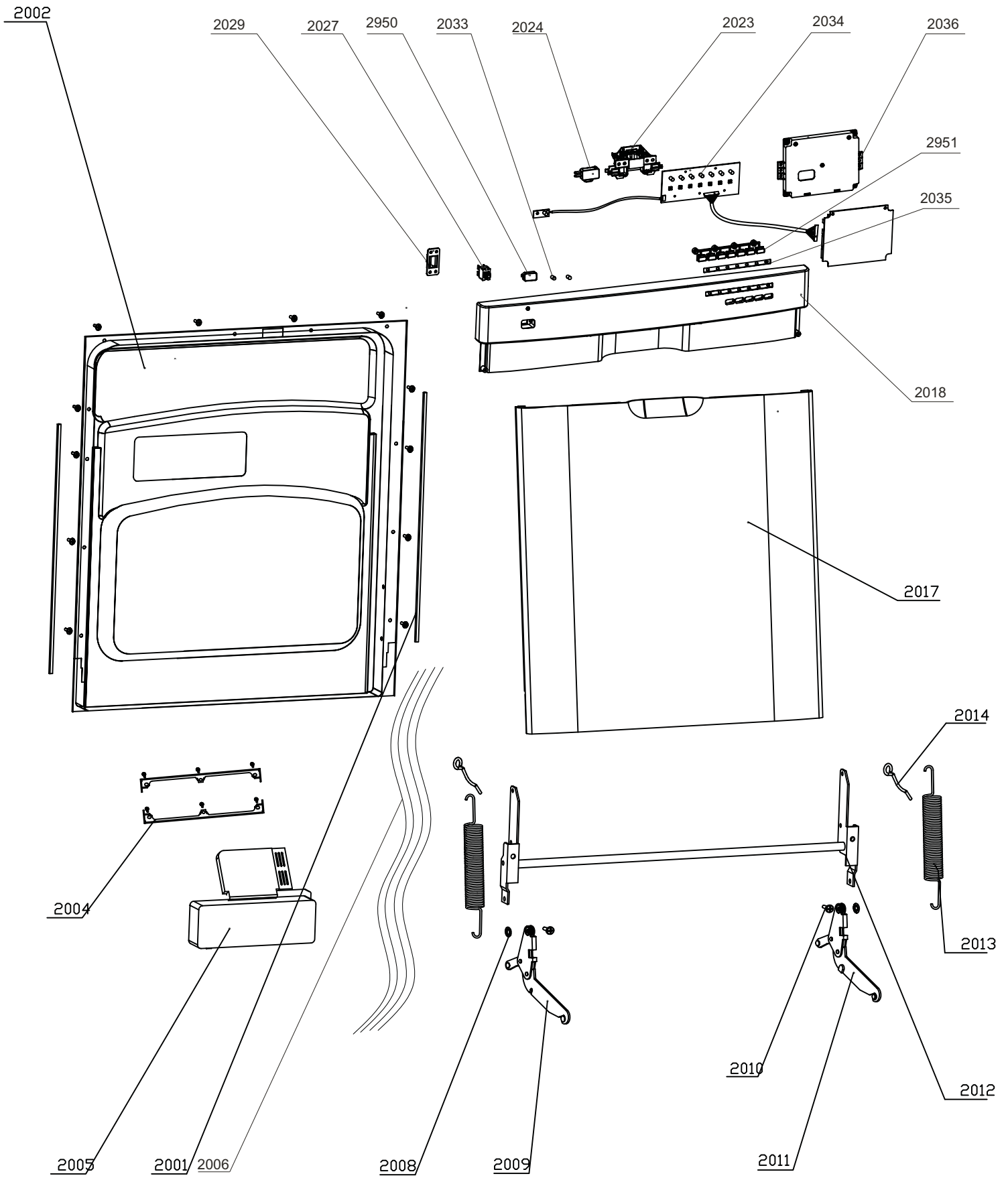


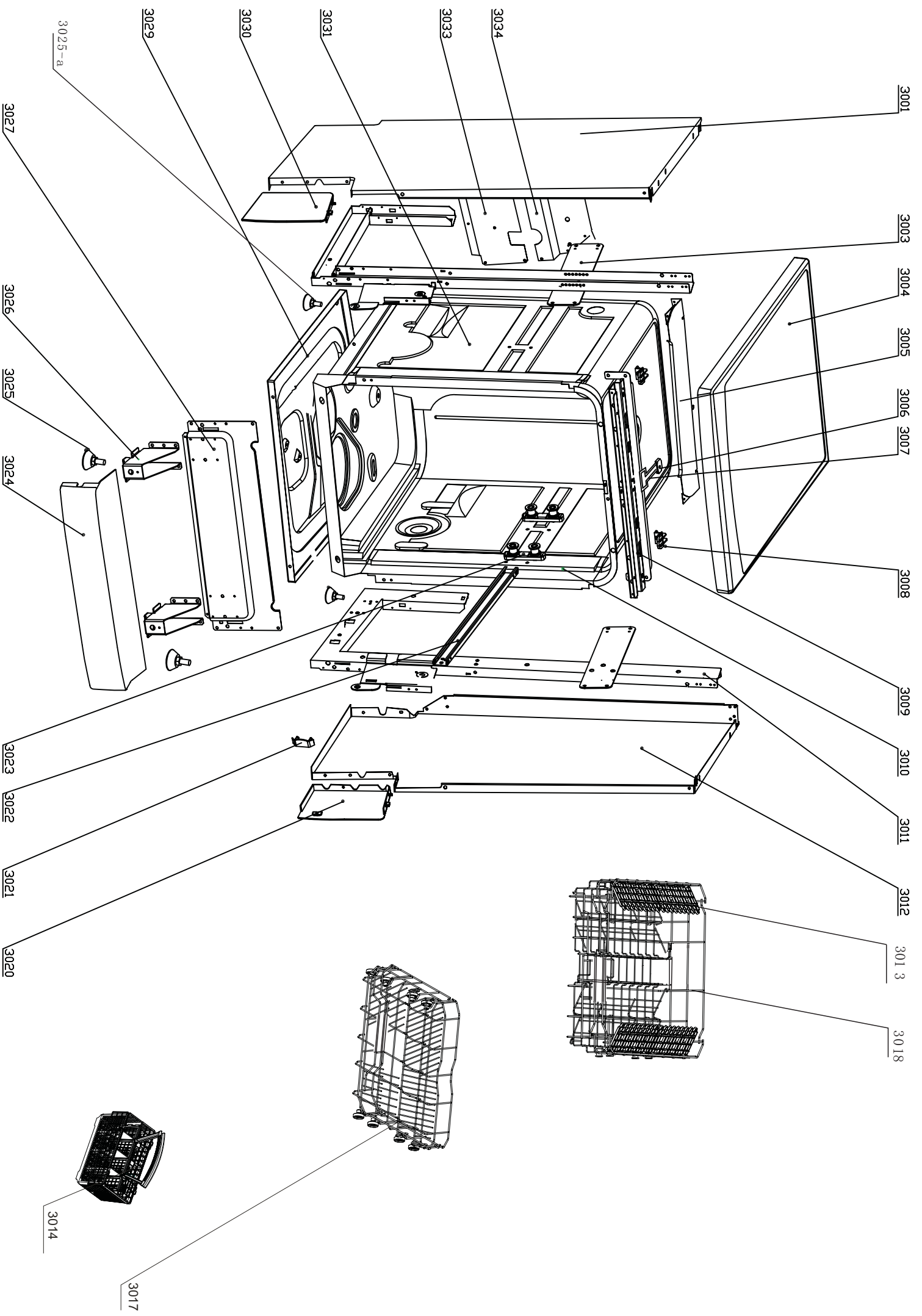
**DF610**

**Caple Freestanding Dishwasher**

**Technical information**









## DF610 - Caple Freestanding Dishwasher

Item	Part Code	Description	Qty
1001	673000900223	External pipe	1
1002	673001500005	O Ring I 31.5X3.55	2
1003	673001800364	Guide casing	1
1004	673001600021	External pipe nut	1
1005	673001900038	Water dispenser	1
1006	673000310006	Upper sprayer	1
1007	673000900195	Upper sprayer pipe	1
1012	673002300003	Float	1
1016	673002500047	Micro filter	1
1017	673001600022	Sump nut	1
1018	673001500098	Sump gasket	1
1019	673000700081	Sump	1
1020	672000700028	Clamp 12.7×1.8	1
1022	673000900073	PVC hose	2
1027	674000600106	Drain pump	1
1029	673002200043	Salt filler	1
1030	673002800050	Softener cover assembly	1
1031	673001700080	Softener cover gasket	1
1032	673001600039	Softener nut	1
1033	673001700001	Softener gasket	1
1034	674000700041	Softener	1
1036	672000700029	Clamp 14.5×1.8	3
1037	673006200027	Drain hose hook	1
1038	673001500002	Drain hose holder	1
1039	673000900251	Drain hose	1
1042	674000000186	Power cord	1
1043	674000200001	Inlet valve	1
1045	673000900061	Inlet hose assembly	1
1046	673000900233	Regeneration hose	1
1048	673000900237	Inlet hose of air breather	1
1051	673001600025	Air breather nut	1
1054	673002700607	Air breather assembly	1
1064	670400051614	Lower sprayer	1
1065	673001200027	Lower sprayer connection assembly	1
1070	674005600080	Washing pump	1
1083	673000900045	Bend connect hose	1
1085	673001400025	Heating element support	1
1086	674001100044	Heating elements	1
1088	673001600024	Water inlet nut	1
1089	673001500019	Water inlet gasket	1



## DF610 - Capele Freestanding Dishwasher

Item	Part Code	Description	Qty
1091	673002600035	Water inlet	1
1093	674000900053	Sensing device	1
1113	673002500048	plane filter	1
1114	673001300179	Scran collection	1
1115	674000300079	Pressure switch 140/120	1
1116	673001400083	power cord clasper	1
1117	674000302006	pressure switch assembly for heating elements	1
2001	673002000059	Door edge guard piece	2
2002	672002200330	Inner door	1
2004	672001700002	Dispenser bracket	2
2005	674000800032	Dispenser	1
2006	674000102080	Wiring harness	1
2008	672000500006	Ring $\Phi 6$	4
2009	672001300029	Left gemel assembly	1
2010	672001200012	Dowel	2
2011	672001300030	Right gemel assembly	1
2012	672001300024	Door gemel assembly	1
2013	672000100000	Door spring	2
2014	672001100001	Door spring bolt	2
2017	672001800309	Outer door	1
2018	673000405445	Control panel	1
2023	673001800513	Handle assembly	1
2024	674010030000	Micro switch	1
2027	674000300089	Power switch	1
2029	673001400085	Swith support	1
2033	673000900005	Indicator cover	1
2034	674001001118	Control board	1
2035	672000300443	decorative sticker	1
2036	673002400190	Control board box	1
2950	673000801205	Power button	1
2951	673000801203	Program key	1
3001	672001600158	Left side panel	1
3003	672002190005	Left frame	1
3004	673000200334	Ceiling board	1
3005	672001500008	Upper rear crosspiece	1
3006	673001300634	door clamp	1
3007	672001400039	Door lock and clamp	1
3008	673001300003	Top clamp block	2
3009	672001500150	Upper front crosspiece	1
3010	673001700079	Tank gasket	1
3011	672002190006	Upright right assembly	1
3012	672001600157	Right panel	1
3013	673001300102	Upper basket cup holder	4



## DF610 - Caple Freestanding Dishwasher

Item	Part Code	Description	Qty
3014	673002200099	Cutlery basket	1
3017	672000803080	Lower basket	1
3018	672000800345	Upper basket	1
3020	673001100032	Right washboard	1
3021	673001300181	Rail block	2
3022	672001701000	Rail	2
3023	673001401005	Rail support assembly	4
3024	673001100045	Washboard	1
3025	673001100156	Adjustable foot ( front)	2
3026	672000200058	Feet support assembly	2
3027	672001503004	Lower front crosspiece	1
3029	672002000044	Base board	1
3030	673001100031	Left side baseboard	1
3033	672001500202	Lower rear crosspiece	1
3034	672001500007	Middle rear crosspiece	1
3035	673002200079	Measurable spoon	1
1010+1011+1013	673001490016	Float holder assembly	1
1035+1047	673000900224	Softener pipe	2
1071+1072	672000200054	Washing motor support	1
1074-a	673000900228	Connect hose a	1
1074-b	673000900229	Connect hose b	1
3025-a	673001100180	Adjustable foot(back)	2
C5004	673006200004	Rinsing agent cup	1
OTK 175	672000700004	OTK 175	2
OTK 310	672000700001	OTK 310	7
OTK 396	672000700007	OTK 396	2

220 ~ 240V/50Hz

