

Instruction manual for freezer

Model code:RFZ70



Please read this manual before use.

Thank you for purchasing this Caple product.

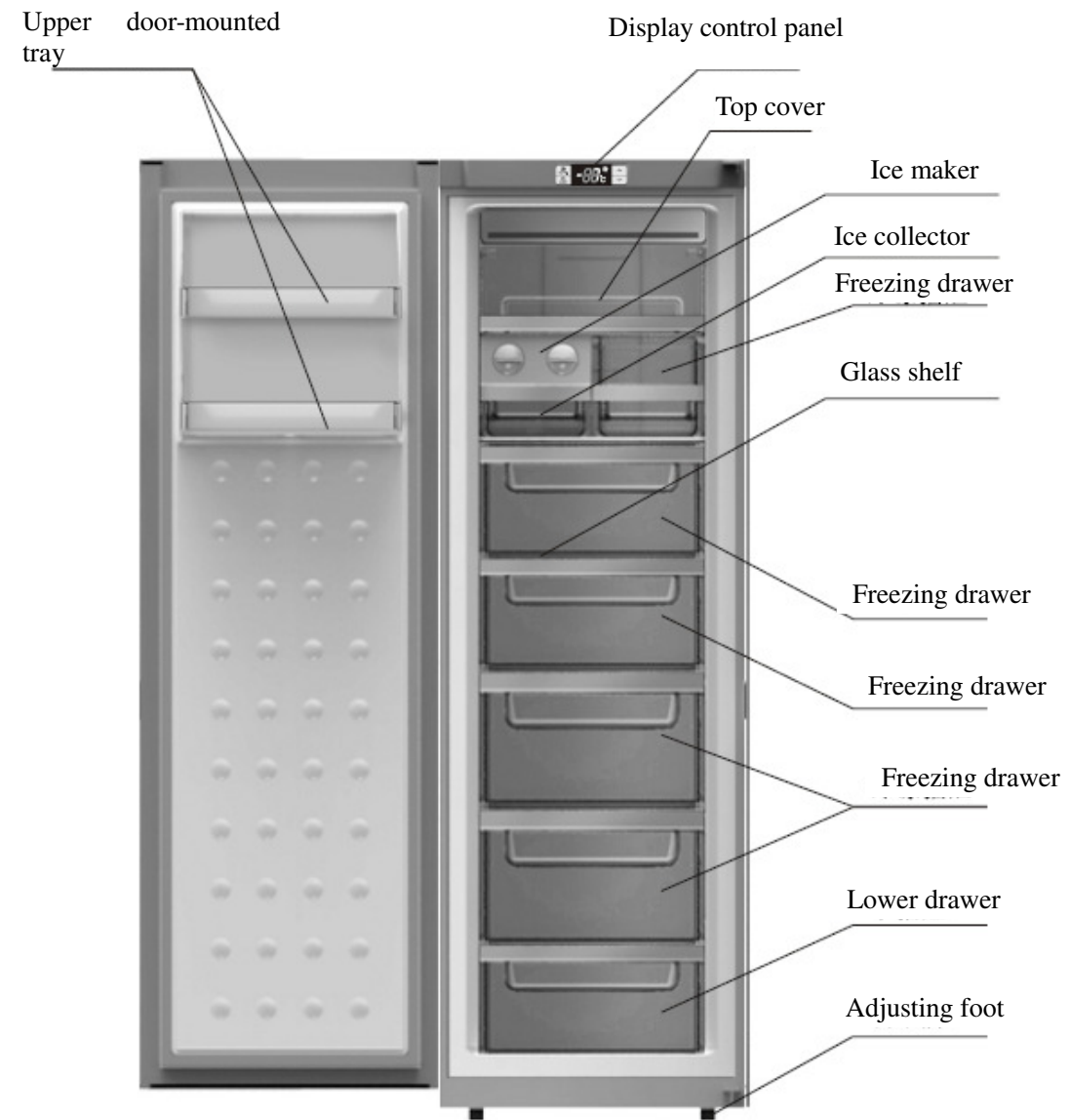
Attention:

- * Please understand the safety instructions before use.
- * Please keep this manual for future reference.
- * Due to continued product development and improvement the actual product may vary slightly.

WARNING

1. WARNING Keep ventilation openings in the appliance enclosure or in the built-in structure clear of obstruction.
2. WARNING Do not use mechanical devices or other means to accelerate the defrosting process, other than those recommended by the manufacturer.
3. WARNING Do not damage the refrigerant circuit.
4. WARNING Do not use electrical appliances inside the food storage compartments of the appliance, unless they are of the type recommended by the manufacturer.
5. The appliance must be unplugged after use and before carrying out user maintenance on the appliance.
6. This appliance is not intended for use by persons (including children) with reduced physical, sensory or mental capabilities, or lack of experience and knowledge, unless they have been given supervision or instruction concerning use of the appliance by a person responsible for their safety.
7. Children should be supervised to ensure that they do not play with the appliance.
8. If the supply cord is damaged, it must be replaced by Caple, its service agent or similarly qualified persons in order to avoid a hazard.
9. Please dispose of the refrigerator according to local regulators for it use flammable blowing gas and refrigerant.
10. Disconnect the power supply before replacing the lamp.
11. Please adhere to local regulations regarding disposal of the appliance for it contains flammable refrigerant and blowing gas. Before you scrap the appliance, please remove the doors to prevent children trapped.

Due to continued product development some features and accessories may vary slight to what is detailed below. Please refer to the packing list.



Note: If the top cover, door tray, ice maker, ice collector and freezing drawer are removed according to the instructions, a larger volume can be available, and there is no effect on the normal functions of this product.

Warning

- Unless recommended by the manufacturer, no machinery equipment or other means can be adopted to speed up the defrosting process.
- Unless recommended by the manufacturer, no electrical appliances can be used in the food compartments.
- The R600a refrigerant and cyclopentane foaming materials used in this refrigerator are all flammable materials, so old freezers should be isolated from any fire, disposal by burning is forbidden.

New refrigerator

- Before using a new refrigerator, remove all packaging materials, including the base pad, as well as the foam pads and adhesive tape in the refrigerator.
- Use a damp cloth to clean the refrigerator inside and outside (A small amount of detergent can be added to the warm water and finally clean water should be used to clean the refrigerator).
- A separate socket with two poles grounded should be prepared, and it should not share the same multipurpose socket with other appliances.
- Please be sure to connect the earth wire well. The socket must have reliable earth connection.

Transport and placement**Transport**

- Do not have the refrigerator upside down, horizontally placed, compressed or shaken. When moving the fridge, do not tilt the product more than a 45 degree angle.
- When moving, do not use excessive pressure on the door or top cover to avoid deformation.
- The refrigerator can be slightly drawn backwards (no more than 20 degrees), so that it could be moved in a short distance using the rear casters for rolling.

Placement

- The refrigerator should be placed in a well-ventilated place. Keep it away from heat and direct sunlight. Do not situate it close to damp or water to prevent rusting or the insulation becoming weakened.
- The space above the refrigerator should be no less than 30cm and its two sides and back must be kept no less than 10cm away from the walls to facilitate the refrigerator door opening and closing and to allow heat dissipation.
- The refrigerator should be placed on a flat and solid ground. (If not, it can be leveled by adjusting the leveling toes)

Note

The power line should not be compressed by the refrigerator or other objects, to avoid any accident caused by damage of the power line.

Before connecting to the power source, please carefully check whether the refrigerator has its voltage range identical to the power supply.

Make sure the refrigerator is correctly and steadily placed on stable flooring, and that all safety precautions are clearly understood.

1. Power on

NOTE: THE PRODUCT MUST STAND IN SITU FOR 12 HOURS BEFORE SWITCHING ON.

After power on, the refrigerator will automatically enter the factory default status.

2. Adding food to the refrigerator

Recommended: Allow the fridge to work for a period of time and the required temperature to be reached or the compressor has stopped working for the first time, and then add the food into the refrigerator, which is conducive to the first food preservation.

Tips: When the temperature setting is changed or new food is added, the refrigerator needs a period of time to have its internal temperature balanced. The time length depends on the change of the temperature setting, the ambient temperature, the door-opening frequency and the amount of stored food, etc.

- The freezer should have its temperature below -18°C for long-time preservation of food.
- After purchasing pre-frozen food it be kept in the freezer as soon as possible before it defrosts.
- The hot food should be cooled to the room temperature before adding to the freezer.
- Fruit and vegetables should not be kept in the freezer to avoid frost damage, and no glass containers filled with liquid should be kept in the freezer to avoid the glass bottle or container from smashing when the liquid expands.
- The frozen food should be sorted with the similar food kept together, to help prevent the doors being unnecessarily open for a long time, wasting cold energy.

Freezer drawers

The drawers are used to keep the food frozen, and pieces of meat can be cut into small pieces before storage to facilitate eating. When taking food, first pull the drawer open, push the tray above the drawer in horizontally, and then take out the food in the lower drawer.

Note: Remember to shut the freezer drawer after use.



1. Buttons

- A. Super FRZ – Quick-freeze mode
- B. ON / OFF - Power ON / OFF
- C. ^ temperature adjustment UP / Quick-freeze adjustment UP
- D. v temperature adjustment DOWN / Quick-freeze adjustment DOWN

2. Display functions

- 1. Temperature zone digital display
- 2. Centigrade icon
- 3. Super-freeze icon

3. Display control

· Initial power on: Full display for 3 seconds, at the same time a starting-up tone can be heard and the display will show the freezer default temperature of -18°C.

· Display for normal operation:

Temperature display: will show the set temperature, if there is a malfunction it will display the error code as a priority.

· Display control:

- 1. In the normal mode, if the door is not opened and there is no operation of any button, the screen will go out after 30 seconds;
- 2. If the door is open, the display screen will always be light, and 30 seconds after the door is closed, the screen will go out;
- 3. When the “visible failure code” type failure occurs, the screen will automatically display once, and go out in 30 seconds (If the buzzer continues to ring once you have been alerted to the malfunction, press any button to cancel it).

4. Operation

·Start up and shutdown

In the ON mode, if the ON / OFF key (B-key) is pressed for 3 seconds, the OFF tone will sound with the OFF setting effective immediately;

In the OFF mode, if the ON / OFF key (B-key) is pressed for 3 seconds, the ON tone will sound with the ON setting effective immediately;

If the ON / OFF key is pressed continuously for 3 seconds to enable the OFF function, the display screen will go out, except for the ON / OFF key (B-key), other keys will stop functioning, and the compressor, defrosting heater, door lamp and other functions will immediately shut down; press the ON / OFF key continuously for 3 seconds to enable the ON function, and if it was working in the super-freeze mode before shutdown, the display screen will show the super-freeze initially set; otherwise, the display screen will show the temperature previously set, and all the functions will work based on the settings before shutdown.

The following function operations must be completed in the ON status.

·Enter the Super-Freeze mode

If the Super FRZ (A-key) is pressed continuously for 3 seconds, it will enter the Super-Freeze mode, the Super-Freeze icon will light up, the display screen will show the default Super-Freeze time of 6 hours, and you can press the temperature adjustment ^ (C-key) or the temperature adjustment v (D-key) to adjust the Super-Freeze time by 6 hours within the range of 6-48 hours. If there is no key pressed in 5 seconds, it will automatically recognize to show “- 24°C”; within 5 seconds, you can press the Super FRZ key (A-key) for manual confirmation to show “- 24°C”, and the refrigerator will be working in the Super-Freeze mode.

Note: The refrigerating capacity marked in the nameplate is the test result when the above Super-Freeze mode is set as 48 hours.

Quit the Super-Freeze mode

After the **Super-Freeze** mode is enabled, the set **Super-Freeze** time is over, or the Super FRZ key (A-key) is pressed continuously for 3 seconds, or the user presses the key to change the set temperature, the **Super-Freeze** mode can be quitted and the **Super-Freeze** icon will go out.

If the **Super-Freeze** mode is quitted, it will work based on the mode previously set.

Note: During operation in the **Super-Freeze** mode, if the OFF button is pressed or the power supply is cut off, it will still be working in the **Super-Freeze** mode when started again later.

Temperature setting

Press the temperature adjustment ^ key (C-key) or v key (D-key) to set the temperature. The temperature icon will flash in time of temperature setting, with the range between -16 and -24°C (circulating adjustment unavailable); in 5 seconds, it will quit to have the setting effective. (Within 5 seconds after setting of the temperature, you can also manually confirm the set state by pressing the A key or B key to have the setting effective).

5. Lighting control

When the freezer door is opened, the lamp will light up; when the freezer door is closed, the lamp will go out.

6. Door open and door open alarming control

When the door is opened a bell can be heard. If the door is open for a consecutive 120 seconds, it will sound the alarm as a prompt once every 2 seconds until the door closed. Press any key to disable the door open alarm.

7. Power-off memory and Initial power-up

·When the power supply is lost to this appliance the fridge has an internal memory that will remember the last settings before the power was lost. When the refrigerator is switched back on the last settings will be selected.

·Initial power-up: The fridge has the set temperature of – 18°C.

·Memory: It includes the set temperature, High Humidity mode and the cumulative working time of the compressor.

For example: If the power is cut off in the Super Freeze state, it will be working based on the “Super Freeze” mode after power-on.

8. High temperature warning

When the temperature is above $-8\text{ }^{\circ}\text{C}$ for 6 hours or more, the high-temperature warning will sound. The buzzer will beep 10 times once every second, and 10 times every 30 min. The temperature display area will flash to show the failure code (E9); the warning will be disabled when the temperature is below $-12\text{ }^{\circ}\text{C}$. Press any key to cancel the warning, but the failure code display state is not cancelled, until the failure is solved.

9. Failure prompts

Failure Code	Description	Failure Code	Description
E2	Temperature sensor failure	E6	Communication failure
E5	Defrosting sensor failure	E9	F high-temperature alarm
E7	Ambient temperature sensor failure	EC	EEPROM circuit failure

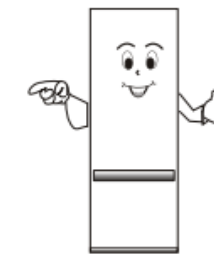
Note: When a failure occurs, it will alternatively display the failure code, and after the failure is solved, the alarm will be automatically cancelled or any display control icon can be pressed to cancel the alarm. When a failure occurs, it will take the priority to display the failure code until the failure is solved, or the set temperature and the Super-Freeze icon cannot be displayed.

If the failure continues and cannot restore automatically, please contact the Caple after-sales department or professional service engineer for maintenance.

10. Compulsory defrosting

Press the temperature adjusting “^” key and the temperature adjusting “v” key for 3 seconds to enter the compulsory defrosting mode. The LED temperature zone always displays “3” at the top, but there is no display at the bottom. After the compulsory defrosting mode is enabled, the compressor and fan will stop immediately; in time of compulsory defrosting operation, press the temperature adjusting “^” key and the temperature adjusting “v” key for consecutive 3 seconds or the conditions for exit is satisfied, it will quit the compulsory defrosting mode.

Do not dismantle or attempt a repair on this appliance. Please contact Caple service to arrange a call out.



Use the 10A or above standard three-hole power socket. The socket must be well earthed

Please do not use any flammable solvent in the vicinity of the refrigerator, so as to avoid fire.

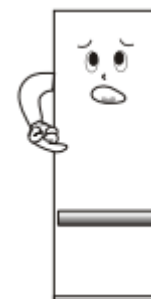


Please do not keep flammable, explosive, volatile or corrosive goods into the refrigerator, to cause damage or fire accident. Please do not put any bottle or closed container filled with liquid into the freezer to avoid other damages due to the container bursting.



Do not allow any child climb into or climb on the appliance to prevent the child being trapped in the refrigerator or hurt due to falling.

Please do not put heavy things on the refrigerator. Otherwise, it may easily fall and cause damages, when the door is closed.



Please do not keep too much food in the refrigerator.

Please do not have the door or drawer open long or frequently to avoid weakening the efficiency of the whole machine and increasing the load of its operation.



When the refrigerator is damaged or not in normal operation, do make sure to cut off the power supply and notify the local service centre.



Please do not splash any water onto the top and rear, so as not to weaken the effect of electrical insulation.

Note:

This product is for household use only, as the national standard requires, the household refrigerators can only be used to store food, but for other purposes, such as storing blood, drugs and biological products, etc.

Cleaning

Use dry towels to wipe off the fingerprints left on the panel.

Regularly clean the refrigerator rear part and the ground.

The refrigerator should have its interiors frequently cleaned in order to avoid odour. While cleaning, please unplug the power, use soft towels and neutral detergents, and finally use clear water to clean it.



Do not use the following materials to clean the refrigerator:

- Alkaline or weakly alkaline cleaning agent; (The container and the plastic components may crack)
- Soap powder, light gasoline, banana oil, alcohol and so on; (The plastic parts may be damaged)
- If dirtied with edible oil or sauce, please erase it. (The plastic components may crack)

Light and replacement

If the lights fail, please contact Caple service (the number can be found on the front of the manual).

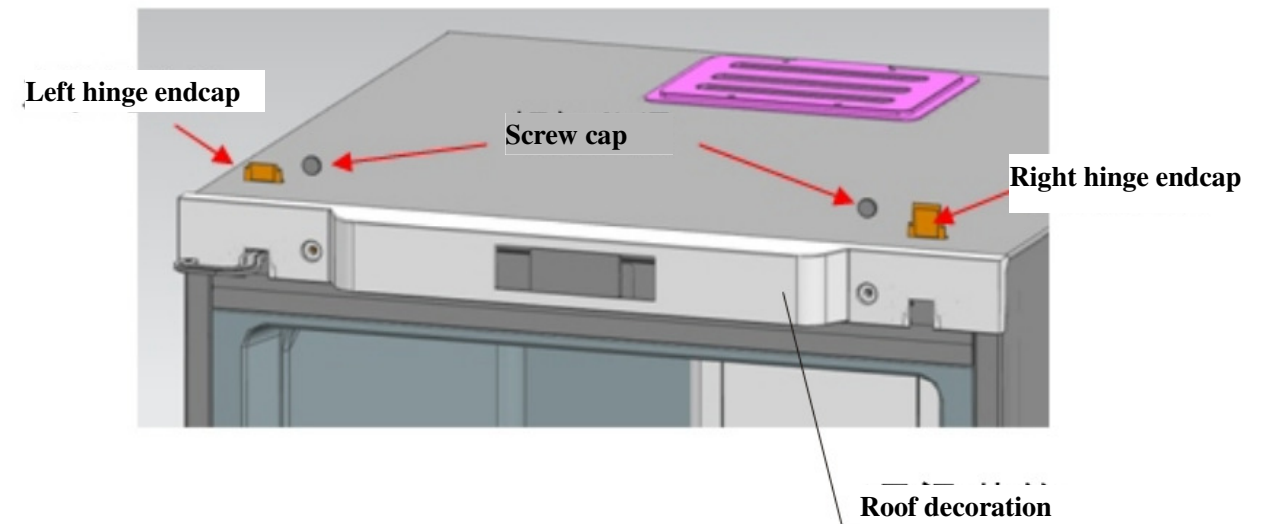
Shutdown

No use for a prolonged period: You should unplug the power, so as to avoid electric shocks or fires due to power line aging; clean the refrigerator inside; let the doors open for a period of time until the interior is completely dry.

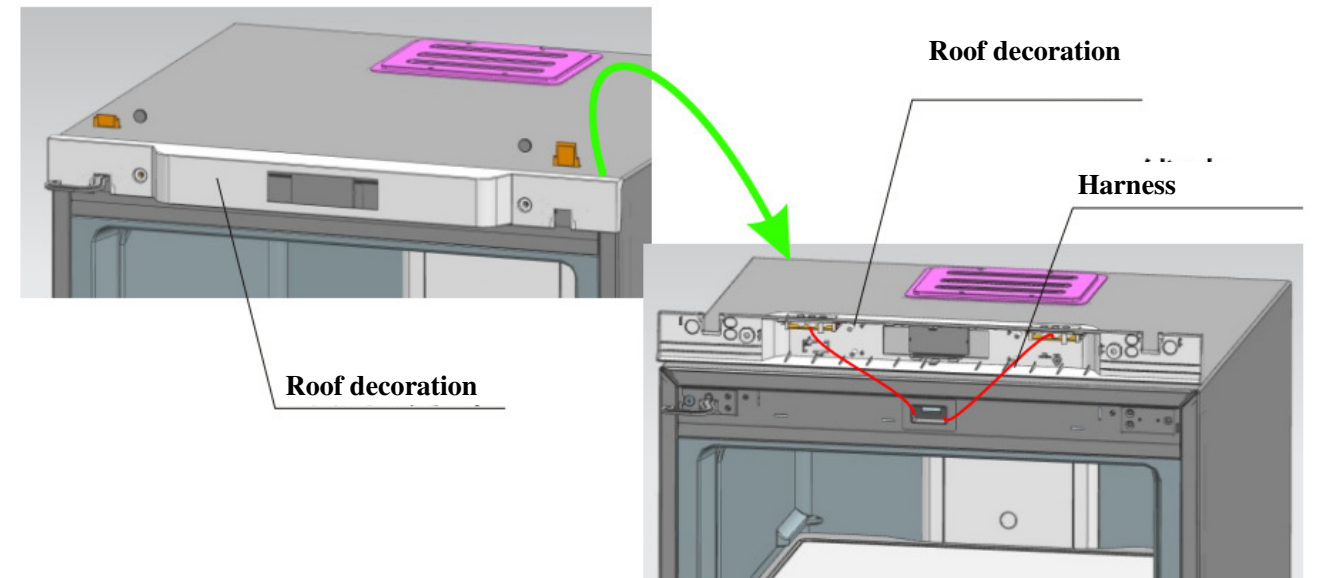
Power failure: When the power fails, do try to reduce the number of times the door is opened; it is not appropriate to add fresh food.

Disposal: If a refrigerator is discarded, its door seal must be removed to prevent any child entering and being sealed in the refrigerator.

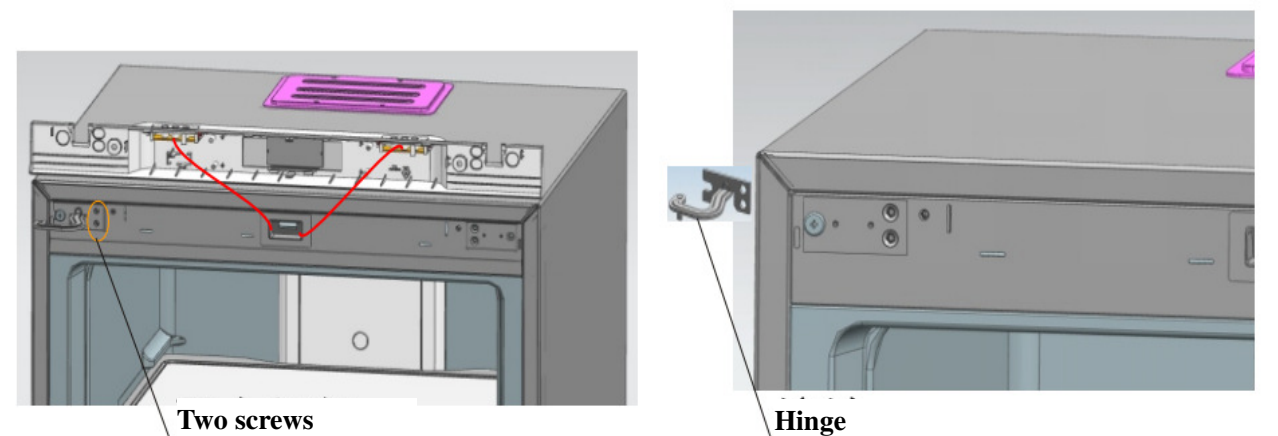
1. Remove the two screw caps and the two hinge end caps on the top decorations (when the door is opened to the right.)



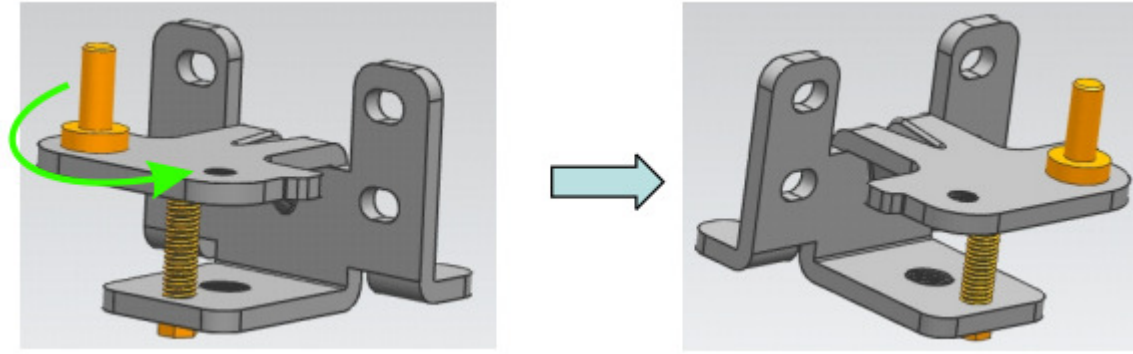
2 Remove the roof decorative components



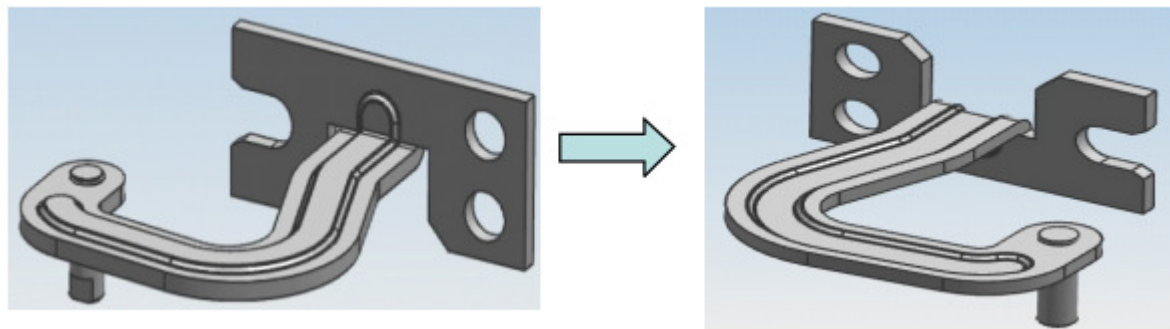
3. Remove the two screws to fix the top hinge, draw the top hinge out from the side, remove it together with the door, and finally take the hinge out from the door.



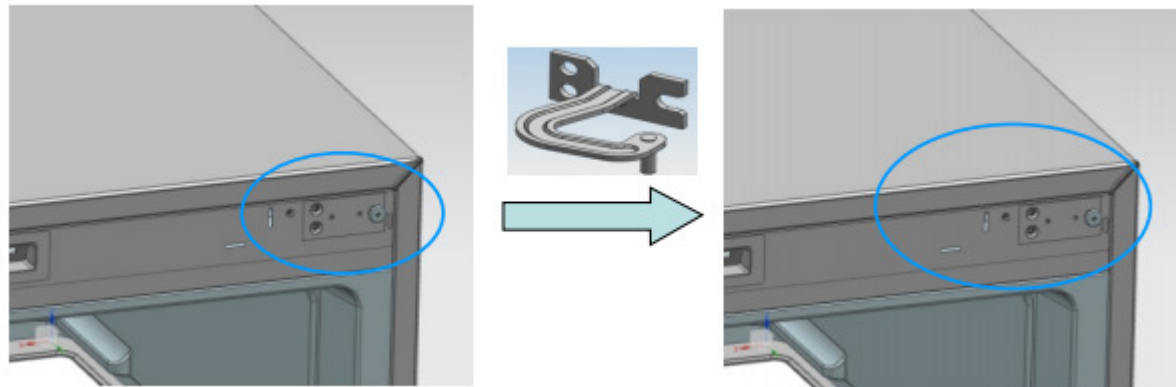
4. Reassemble the bottom hinge shaft: remove the original shaft of the hinge and relocated it as shown in the figure.



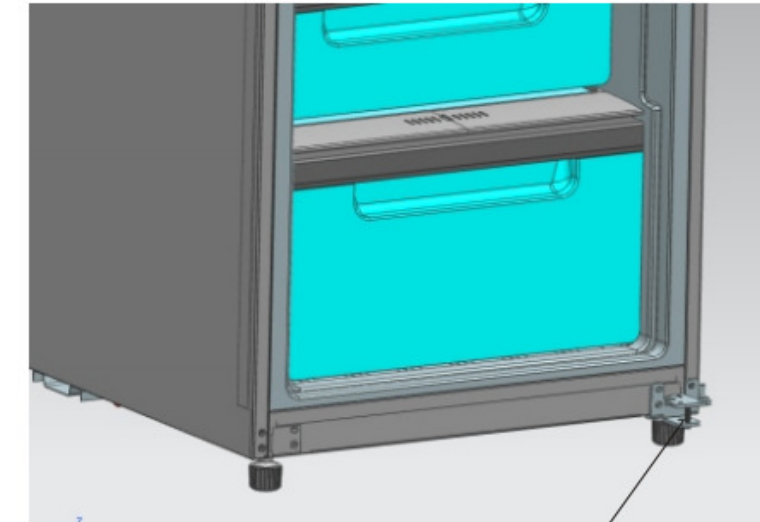
5. Reassemble the top hinge shaft: first remove the hinge shaft and screw this shaft from the other end of the screw hole.



6. Mount the left top hinge fixation column on the right.

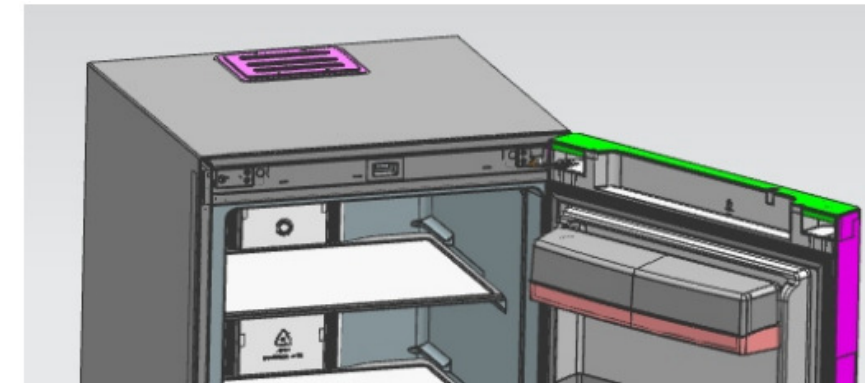


7. Mount the bottom hinge on the right side of the cabinet.

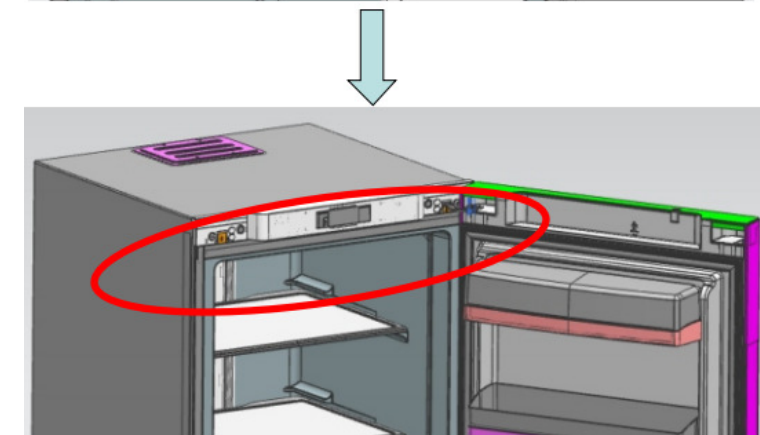
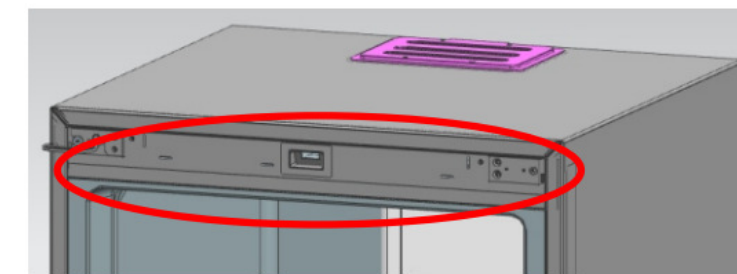


Bottom hinge

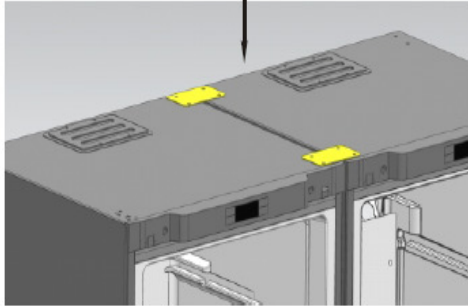
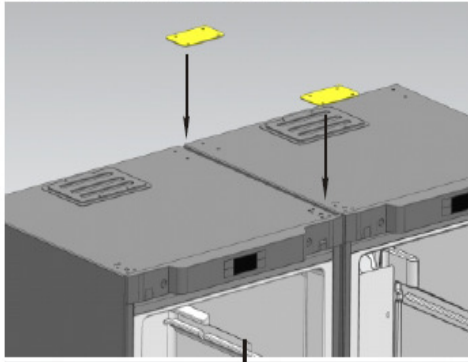
8. First mount the top hinge in the corresponding shaft hole on the right side of the door upper cover, place the door body on the bottom hinge, and press the top hinge into the hinge fixation column to fix the hinge.



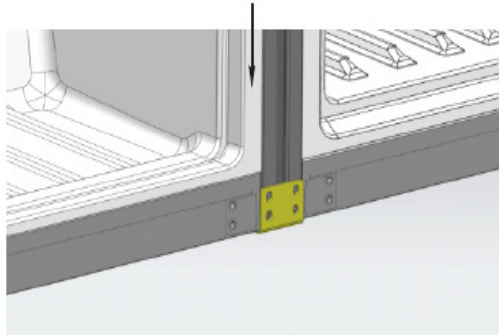
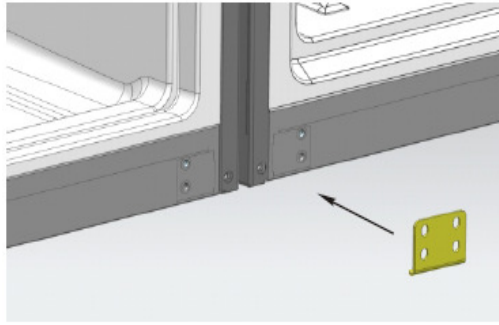
9. Mount the roof decoration, the screw caps and the hinge end cap.



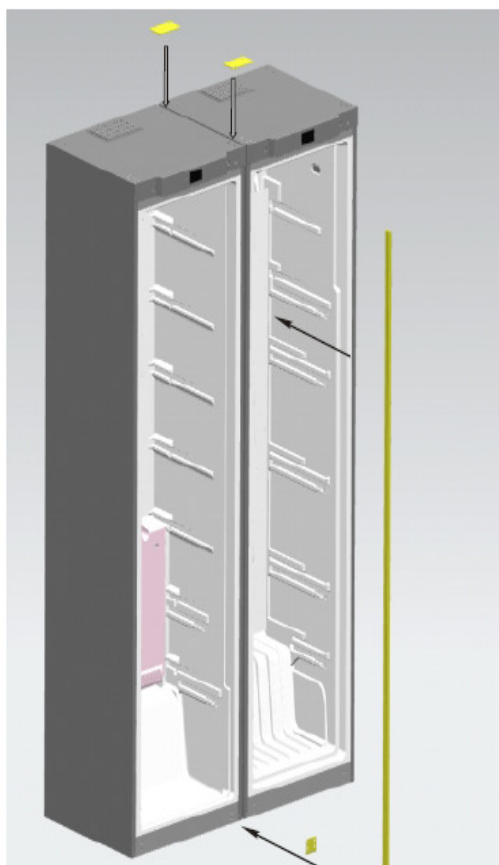
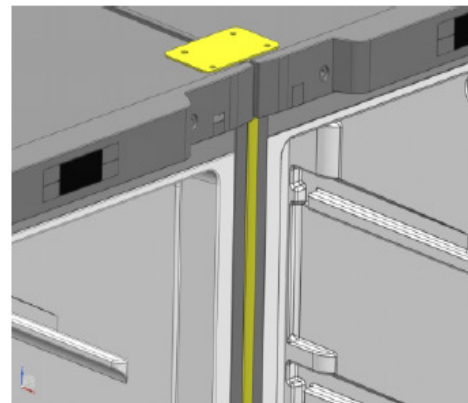
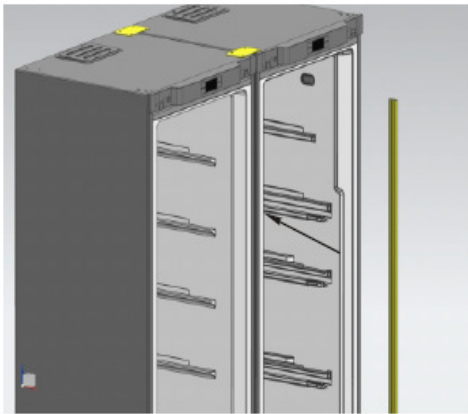
1st Step: Put two cabinets together with only 10mm gap.
Fix the connecting hinge to the place as shown in the picture.



2nd Step: Fit the lower connecting hinge at the bottom of two cabinets.



3rd Step: Put the bar inside the gap between two cabinets. The connecting Step finished.



Before request for repair, please read the following contents carefully.

Problem	Possible Reasons and Items to be Checked
No power	Is the power supply is connected and is the plug inserted correctly Is the voltage is too low
Poor refrigeration	Is the temperature is set too high Is too much food been stored Has any hot food been added Is the door is opened / closed too frequently Is the door closed correctly Is any heat source is kept around the refrigerator
Too noisy	Is the floor flat and the refrigerator is steadily placed Does the refrigerator have its accessories correctly positioned
Bad smell	The odorous food should be tightly wrapped Check whether there is any bad food The refrigerator inside needs cleaning

If the above items have been checked but there is no improvement, please contact the Caple after-sales service department.

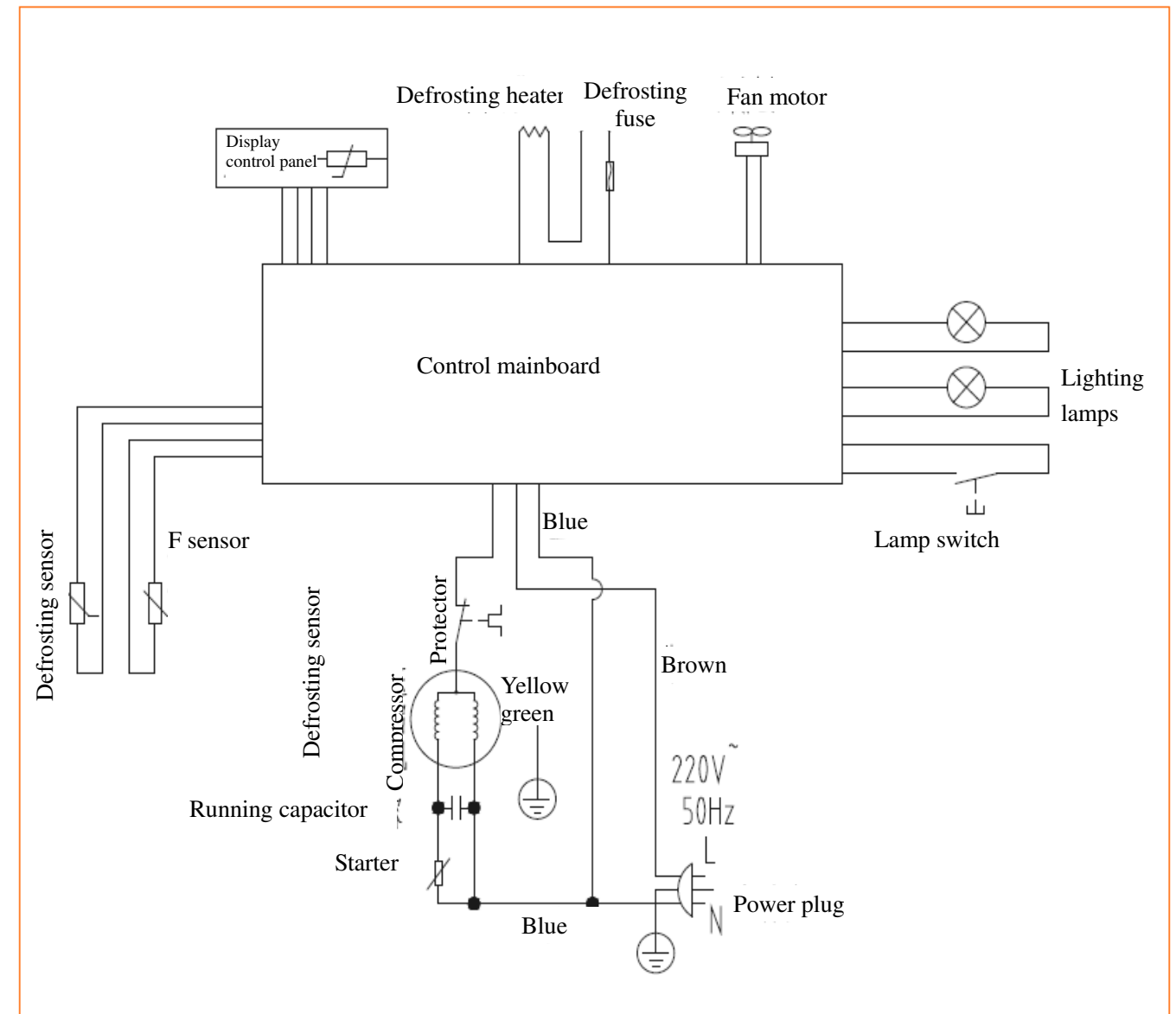
If damaged, the power cord must be replaced by the servicemen designated by this Caple to avoid potential dangers.

Non-fault Phenomenon

The refrigerant liquid in the capillary tubes of the refrigerator flows at a high speed, and sometimes there may be a few air bubbles inside. Therefore, some irregular noises will be produced at the exit. When the refrigerator is in rapid refrigeration, the wind noise will be heard when the freezer door is opened, and that is the sound of the high-speed fan.

If the air is much too humid, the refrigerator door may be wetted around, and dry cloth can be used to wipe it.

Climate Class	SN/T
Protection Against Electric Shock	I
Rated Voltage/Frequency	AC220-240V/50Hz
Rated Power	75W
Defrost Power	250W
Lamp Rated Power	1.1W
Rated Current	1.2A
Foaming Agent	Cyclopentane
Energy Consumption	0.677kW h/24h
Energy Efficiency Class	A++
Total Gross Volume	-
Gross Freezer Volume	-
Total Storage Volume	260L
Freezer Storage Volume	2600L
Refrigerant, Amount	R600a,62g
Freezing Capacity	160kg/24h
Net Weight	81kg
Dimensions	W595xD695xH1855
Compressor	NE112Y



Correct Disposal of this product



Correct Disposal of this product

This marking indicates that this product should not be disposed with other household wastes throughout the EU. To prevent possible harm to the environment or human health from uncontrolled waste disposal, recycle it responsibly to promote the sustainable reuse of material resources. To return your used device, please use the return and collection systems or contact the retailer where the product was purchased. They can take this product for environmental safe recycling.

Requesting assistance or service

If you have any doubt or require extra assistance, please call:

Caple Service:

Telephone: 0844 800 3830

Email: service@caple.co.uk

Caple

Fourth Way

Avonmouth

Bristol

BS11 8DW

www.caple.co.uk