

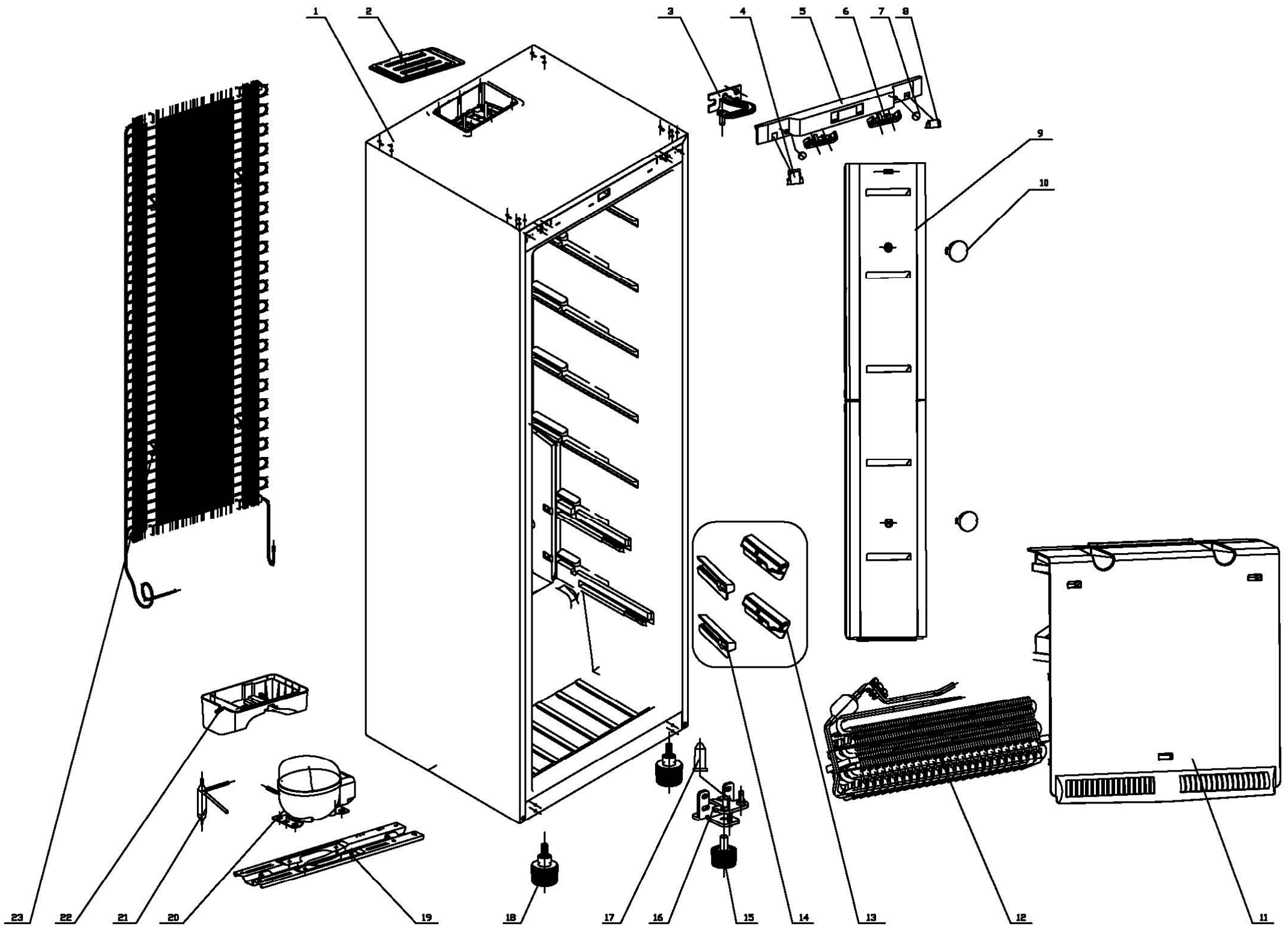


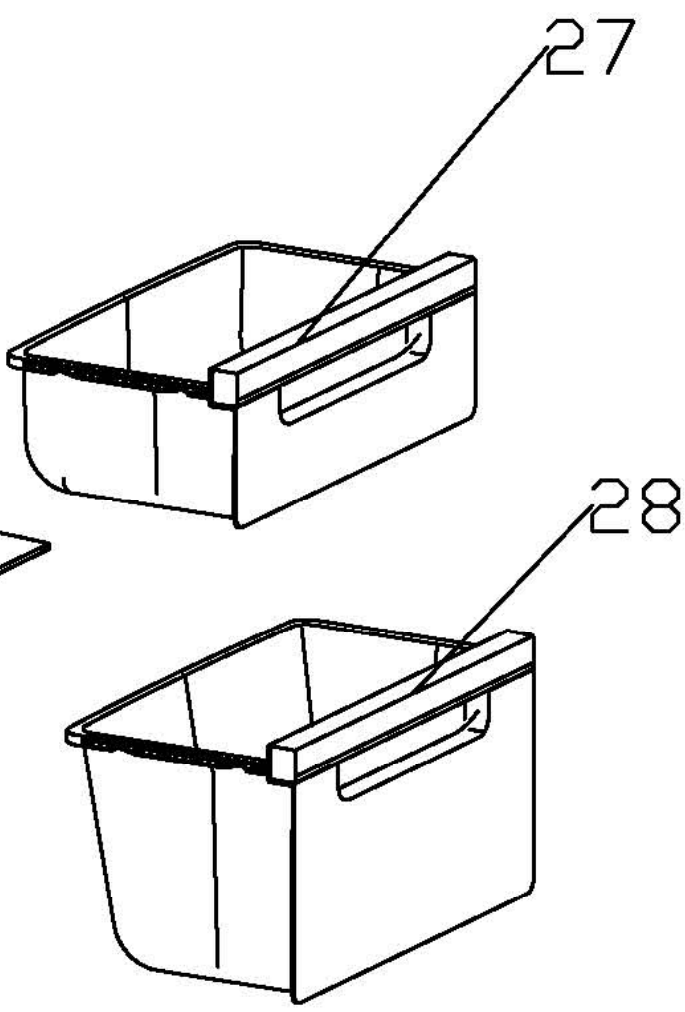
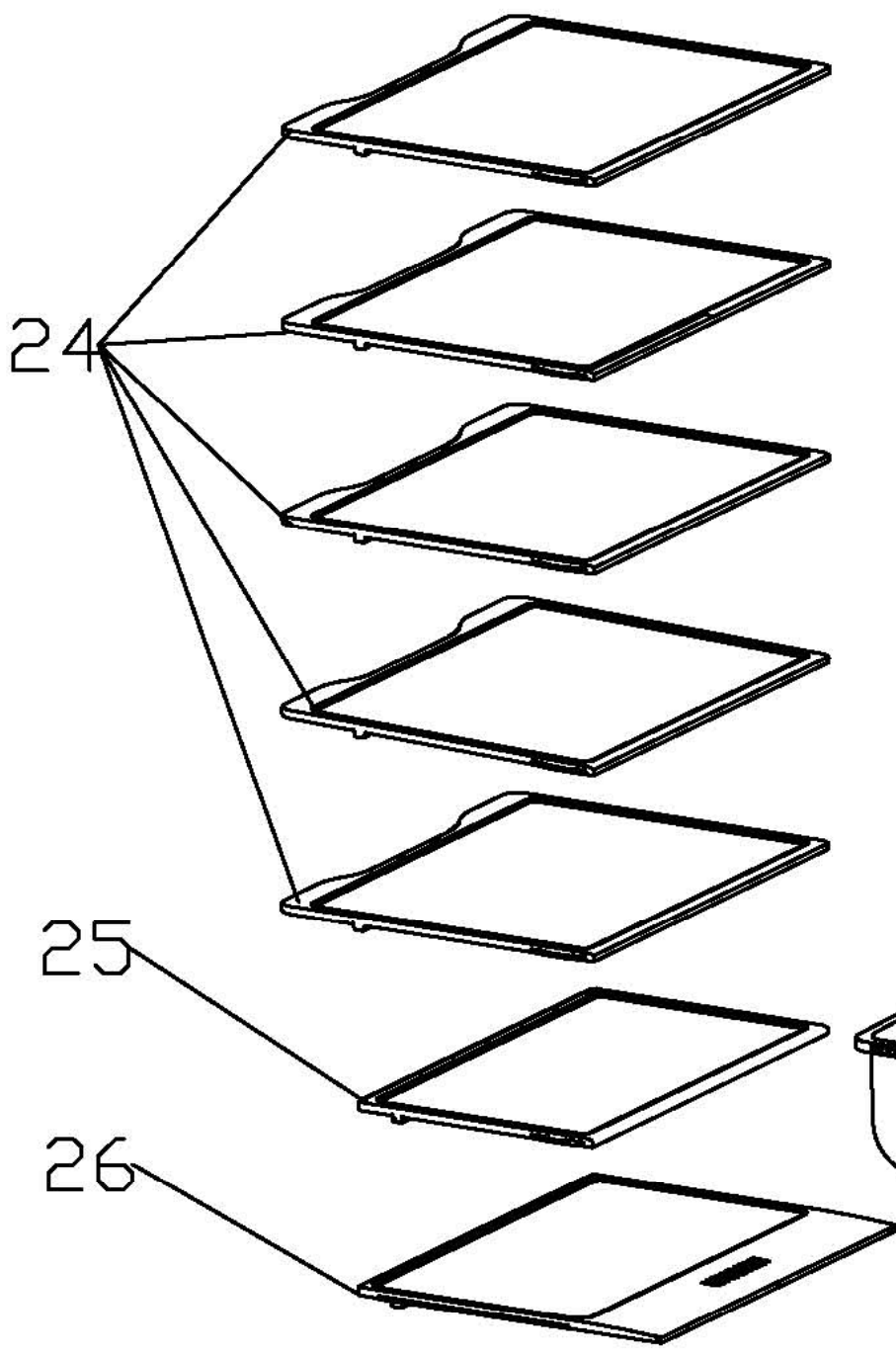
RFL71SS

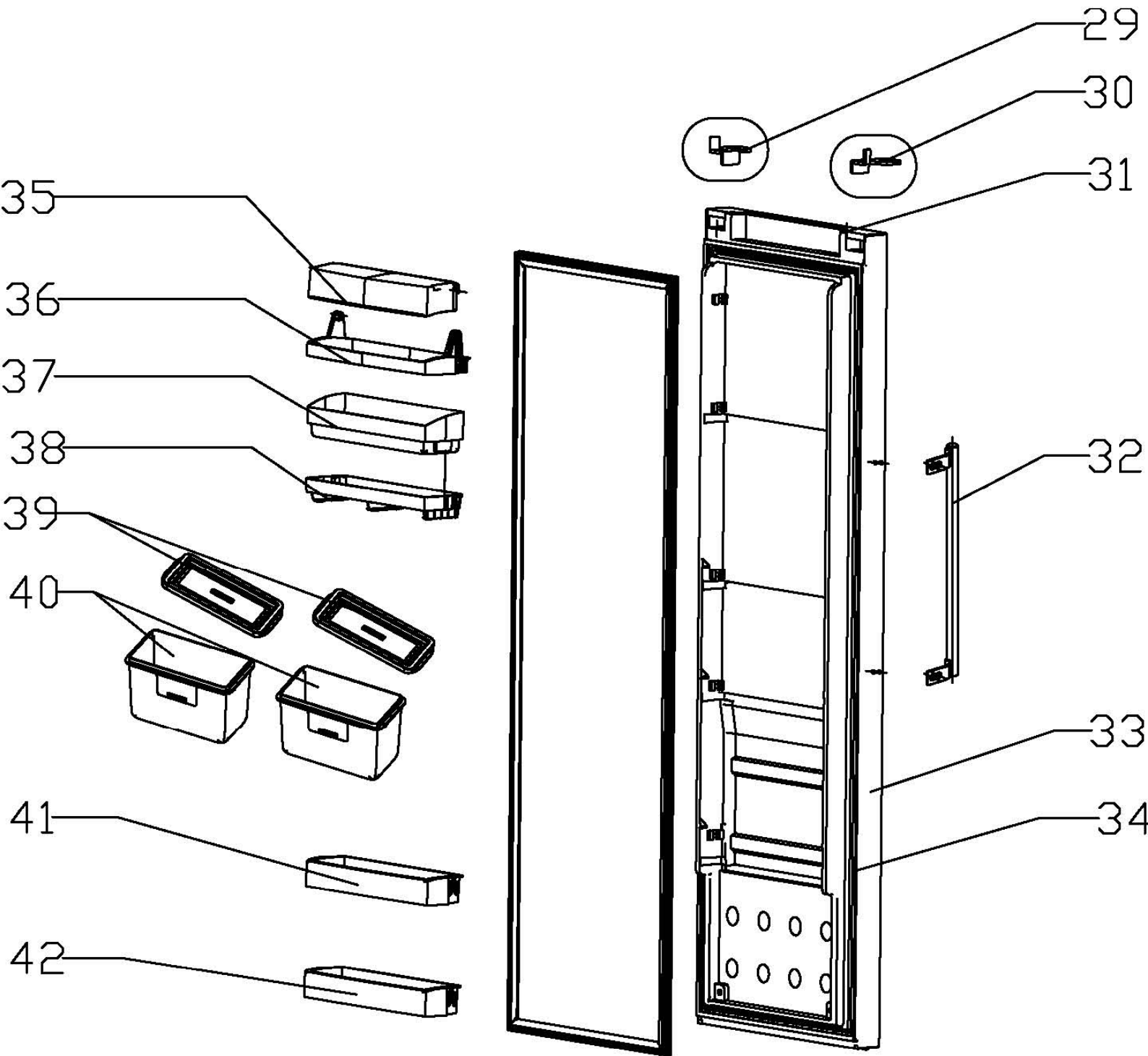
Caple free standing larder



Technical information









RFL71SS - Caple free standing larder

Item	Part Code	Description	Qty
1	50370504018J	cabinet assembly foamed	1
2	501126000001	main control PCB mounting-box cover	1
3	50290504000A	top hinge assembly	1
4	50112601000K	left top hinge cover	1
5	503335040001	control board assembly	1
6	50113504001M	LED Cover	2
7	501129210021	screw cap	2
8	50112601000J	right top hinge cover	1
9	50113504001N	R upper air channel assembly	1
10	501119610017	screw cap	2
11	50113504001P	R bottom air channel assembly	1
12	501535040001	R evaporator assembly	1
13	501126030028	drawer left stopper	2
14	501126030029	drawer right stopper	2
15	501119210059	adjustable foot	1
16	50290504000B	bottom hinge assembly	1
17	501123110005	shaft sleeve	2
18	501121000010	adjustable foot	2
19	50112603001U	compressor mounting panel	1
20	501440440002	compressor assembly	1
21	501602000045	filter	1
22	501126030020	drain tray	1
23	501726030001	wire tube condenser assembly	1
24	50360204000A	glass shelf assembly	5
25	50360204000D	fresh glass shelf main body	1
27	50113504001D	upper vegetable basket assembly	1
26	50360204000E	glass shelf assembly	1
28	50113504001E	bottom vegetable basket assembly	1
29	500726030004	door block	1
30	500726030006	door block	1
31	50112603002N	door handle cover	1
32	50290401002T	door handle assembly	1
33	50370014056H	R door assembly	1
34	50113504000G	R door seal assembly	1
35	501135040017	flip mask	1
36	501135040018	flip tray	1
37	501135040016	sealed box upper tray	1
38	501135040015	sealed box base	1
40	501135040020	sealed box	2
41	50113504001H	small tray	2
42	50113504001J	large tray	1