



Instruction manual for side by side fridge freezer

Model code:CAFF21



Contact Caple on 0844 800 3830 or for spare parts www.4caple.co.uk

Warning



Caution: risk of fire

When fresh food needs to be frozen quickly we recommend it is cooled to room temperature and the freezer is set to quick freeze -24°C prior to adding the food to the freezer compartment.

Please read these instructions carefully and keep for future reference
Thank you for purchasing your Caple fridge freezer.

NOTICE

Before it is used, please take note of the important safety information. Please read this guide thoroughly before operation and keep it handy for reference at all times. Due to continued product development and improvements, the products may vary slightly. When disposing of any refrigerator equipment please contact your local waste disposal department for advice on safety disposal.

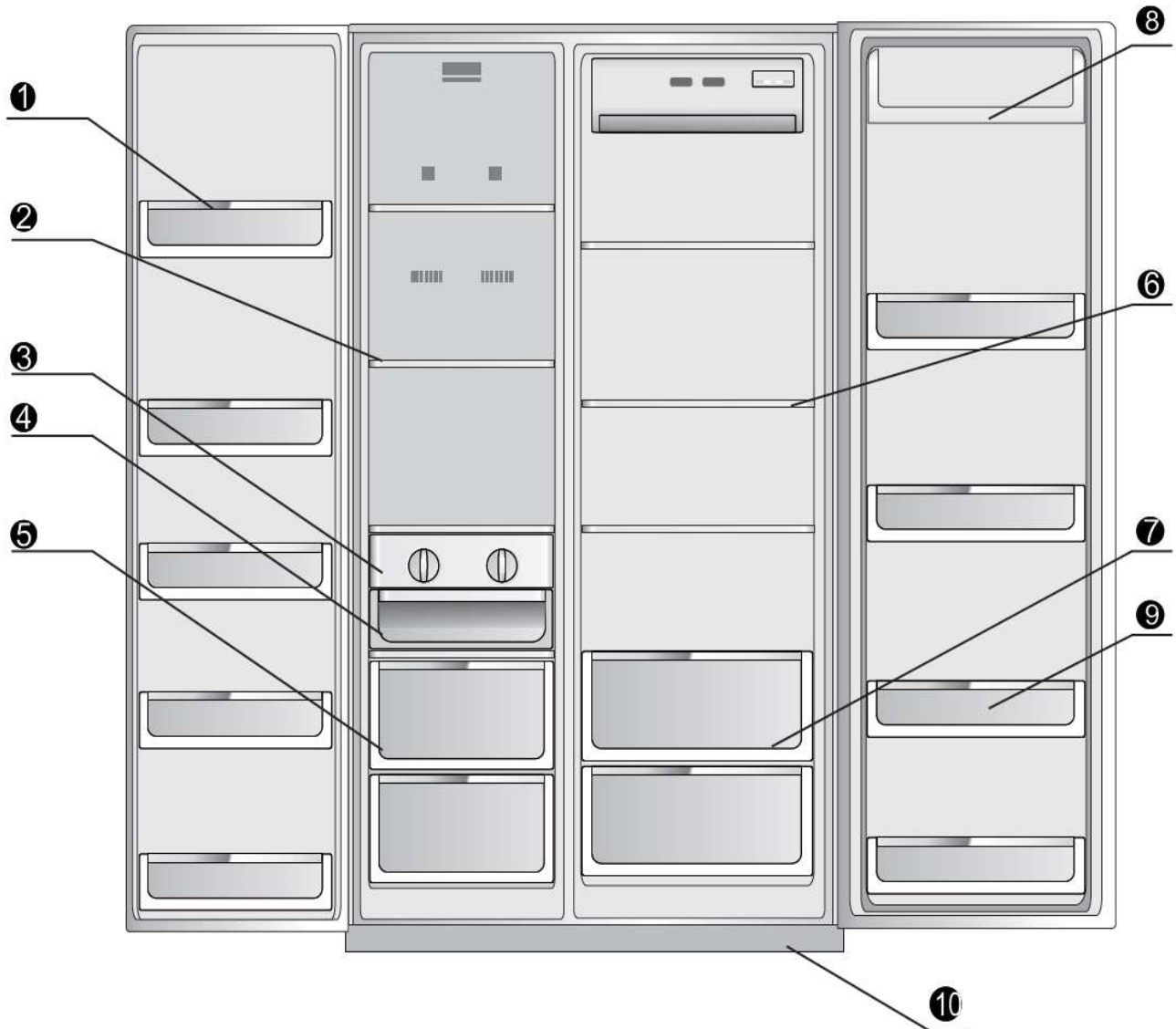
This appliance is intended to be used in household and similar applications such as
–staff kitchen areas in shops, offices and other working environments;
–farm houses and by clients in hotels, motels and other residential type environments;
–bed and breakfast type environments;
–catering and similar non-retail applications.

If the product is used in a commercial environment it may void the warranty.

When the fresh food needs to be frozen quickly, you may:

For this model, set the mode at the quick-freeze, then put the fresh food into the freezer.

Due to constant product development some features and characteristics of this fridge freezer may vary from the below diagram. The packing list enclosed with this product will be correct.



- 1 Freezer door rack
- 2 .Freezer compartment glass shelf
- 3. Ice-maker box
- 4. Ice box
- 5. Freezer compartment drawer

- 6.Refrigerator compartment glass shelf
- 7.Vegetable crisper
- 8.Substance box
- 9. Refrigerator door rack
- 10.Lower cover

Preparing before use

Specification

•Invariable keeping fresh technology

Separate temperature control and a stable storage temperature helps keep food fresh for longer.

•Defrost pre-cool

This technology helps to keep the internal temperature stable while the appliance is defrosting

•Intelligent defrost

The auto-defrost will adjust depending on how many times the door is opened. This will help reduce the build up of ice and keep the energy consumption to a minimum.

•Anti-Heat technology

A thick anti-heat foam layer helps to reduce the energy consumption.

•Gliding shelves

This appliance has smooth gliding shelves for easy storage.

•Intelligent cooling

The freezing is automatically adjusted by the internal computer as required depending on a number of influences.

•No frost design

•Automatic alarm of problem

•High quality compressor

•Opening door alarm, LED screen

•Vitamin fresh technology

Warning

- 1) **WARNING-** Keep ventilation openings, in the appliance enclosure or in the built-in structure, clear of obstruction.
- 2) **WARNING-** Do not use mechanical devices or other means to accelerate the defrosting process, other than those recommended by the manufacturer.
- 3) **WARNING-** Do not damage the refrigerant circuit
- 4) **WARNING-** Do not use electrical appliances inside the food storage compartments of the appliance, unless they are of the type recommended by the manufacturer;
- 5) The appliance has to be unplugged after use and before carrying out user maintenance on the appliance.
- 6) This appliance is not intended for use by persons (including children) with reduced physical, sensory or mental capabilities, or lack of experience and knowledge, unless They have been given supervision or instruction concerning use of the appliance by a person responsible for their safety.
- 7) Children should be supervised to ensure that they do not play with the appliance.
- 8) If the supply cord is damaged, it must be replaced by the manufacturer, its service agent or similarly qualified persons in order to avoid a hazard .
- 9) Please handle and dispose of the refrigerator according to local regulations for its use flammable blowing gas and refrigerant.
- 10) Do not store explosive substances such as aerosol cans with flammable propellant in this appliance.

Correct Use for Your Refrigerator

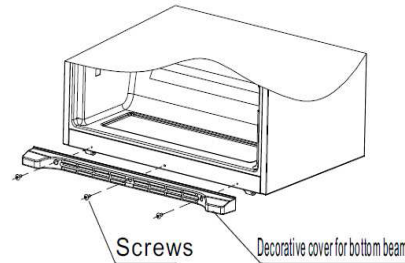
Warnings

- Don't use mechanical equipment or other methods to accelerate the defrosting process except the means recommended by the manufacturer.
- Don't use any electrical appliances in the food storage compartments except the model recommended by the manufacture.
- The R600a refrigerant and cyclopentane foaming material used in the refrigerator are Inflammable. All waste and discarded refrigerators should be placed away from naked fire and they are not allowed to burn.

Delivery of your new Caple fridge freezer

- Remove all packaging material before using the new refrigerator. This includes the foam base and all adhesive tape holding the refrigerator accessories inside and outside.
- Clean both the inside and outside of the refrigerator with wet cloth (a little detergent could be added into the warm water to wash the cloth and then wipe it again with the clean water);
- Prepare an independent two-pole socket with grounding contact for the refrigerator and it must not share a multi-purpose socket with other electrical appliances;
- Ensure the product is correctly earthed! The grounding pole of the socket shall be provided with a reliable grounding wire.
- Open the refrigerator body and take out the accessory (decorative cover for bottom beam) and the three screws from the instruction packaging bag; then install them into the bottom beam as shown by the diagram to the right.

Note: The decorative cover for bottom beam is used for aesthetics only, so you can choose not to install it. It won't affect the refrigerator's performance or conditions no matter whether you install it or not.



Refrigerators transportation and location

Transportation

Please avoid tilting the appliance further than a 45 degree angle when transporting. Also avoid excessive pressure or vibrations.

When moving do not do so using the door.

Location

Ensure proper air circulation around the refrigerator, don't place the unit near a heat source, direct sunlight, moisture or water, to avoid corrosion and weakening of the insulation..

Please ensure there is a minimum ventilation space of 30cm from the top of the appliance and at least 10cm from any wall. This is to ensure the door can be opened correctly and to disperse heat to prevent overheating. Install this product on a solid and level floor.

Attention

DO NOT allow the power cable to become trapped by the fridge freezer or any other heavy objects. This is to prevent any damage.

Before connecting this appliance to the power source, please check the voltage range of the refrigerator and power supply carefully.

First use...

Before using the appliance ensure it has been installed on a solid and level floor. Please be sure you understand all the safety notes in this manual.

1. After unpacking the refrigerator, fix the lower fascia cover.

(If the door is out of line, please refer to the adjustment instructions which can be found on the lower left corner of the right hand panel).

2. Connecting to the power supply

After connecting to the power supply the fridge freezer will be set to the default temperature settings.

The appliance has a power cut memory, when ever the power supply has been lost the appliance will start up again at the last selected settings.

2. Using the refrigerator

You can choose one of the following two modes.

(1) Intelligent mode: If there are no special requirements, we recommend that you use the intelligent mode, because the refrigerator will work automatically.

(2) Manual mode: You can use the Temperature Control keys to set the temperature.

4. Adding food to the refrigerator

After the appliance has been switched on for a period of time it should have cooled to the set temperature. Once this has been done you can add the food.

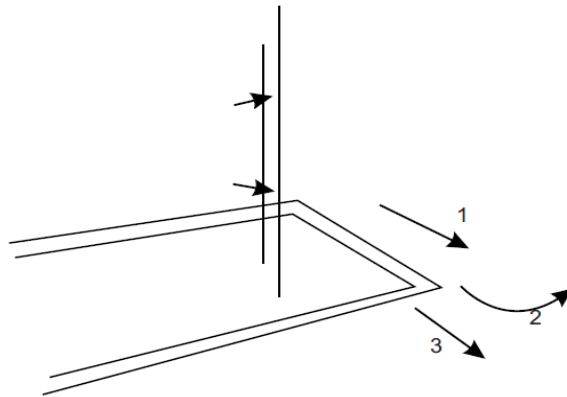
Tips: When the temperature is set to change or new food is added into the refrigerator, it takes some time to balance the inside temperature. The length of this period depends on the size of the temperature change, the temperature of the surrounding environment, the frequency the door has been opened and the number of food, etc.

Refrigerator compartment

For short term storage of food

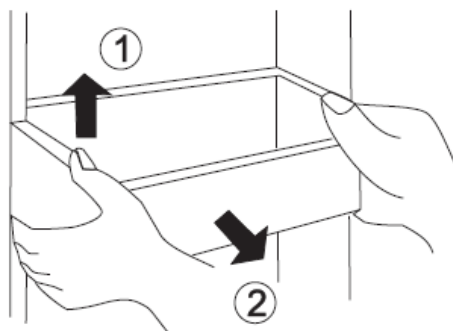
Although regulating temperature will enable the average temperature of the majority of regional cold rooms to maintain between 0-10°C, it cannot serve for long-term preservation of food. Therefore, the refrigerator compartment is for short-term food storage.

Shelf adjustment



According to the needs of food storage, you can adjust the shelf to the preferred position; To facilitate the use of it or to adjust the location, the shelf can be set to slip so that you can use and adjust it easily. When you want to remove the shelf, please move the shelf by the direction (1), **then turn the shelf in the direction (2) for 90° until it is perpendicular to the original direction**, pull out the shelf by the direction (3).

Height adjustment and cleaning of the rack

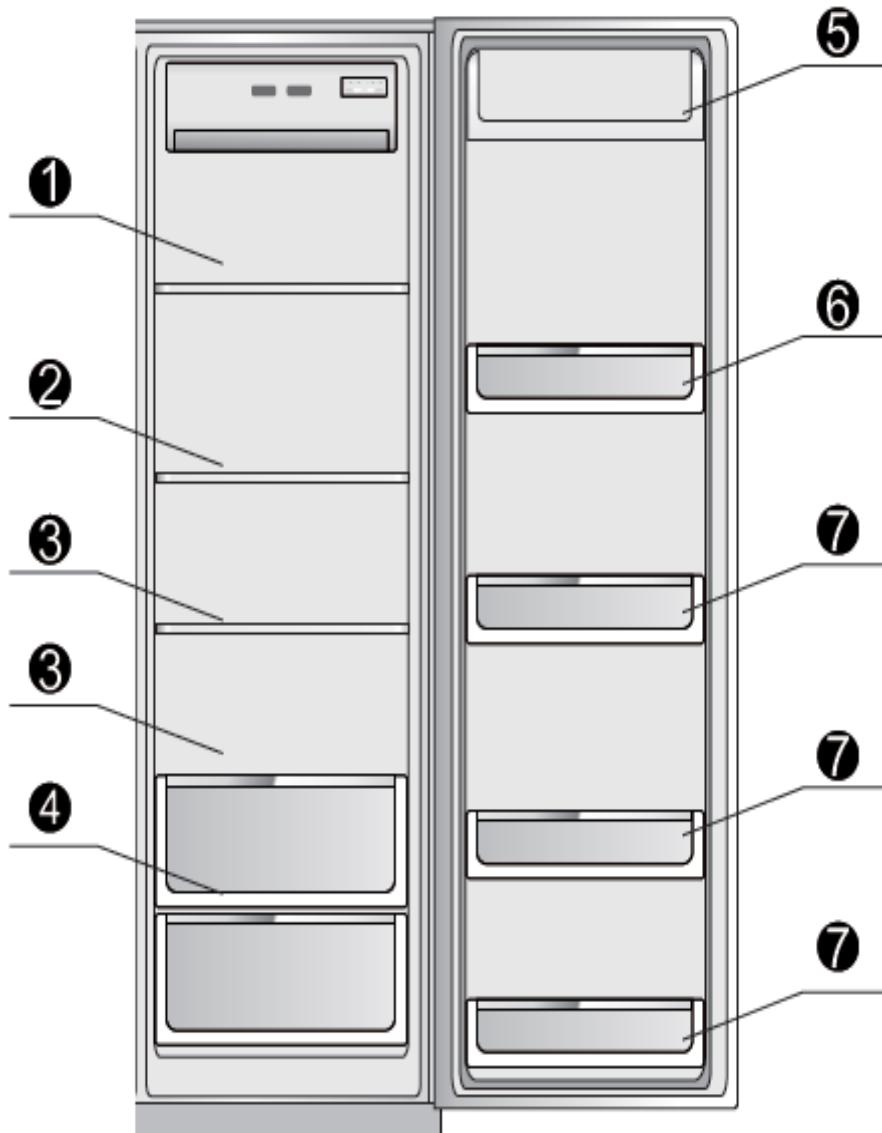


Lift the **rack** in the direction, hold both the sides, then pull it out by the direction. After cleaning, to install the **rack** by the opposite direction. You can also adjust the position according to the height of stored food.

Refrigerator compartment

Recommendations of storage area for all kinds of food

Due to the cycle of air-conditioning in the refrigerator, it makes the temperature of all areas different. So different kinds of food should be placed in a different temperature region



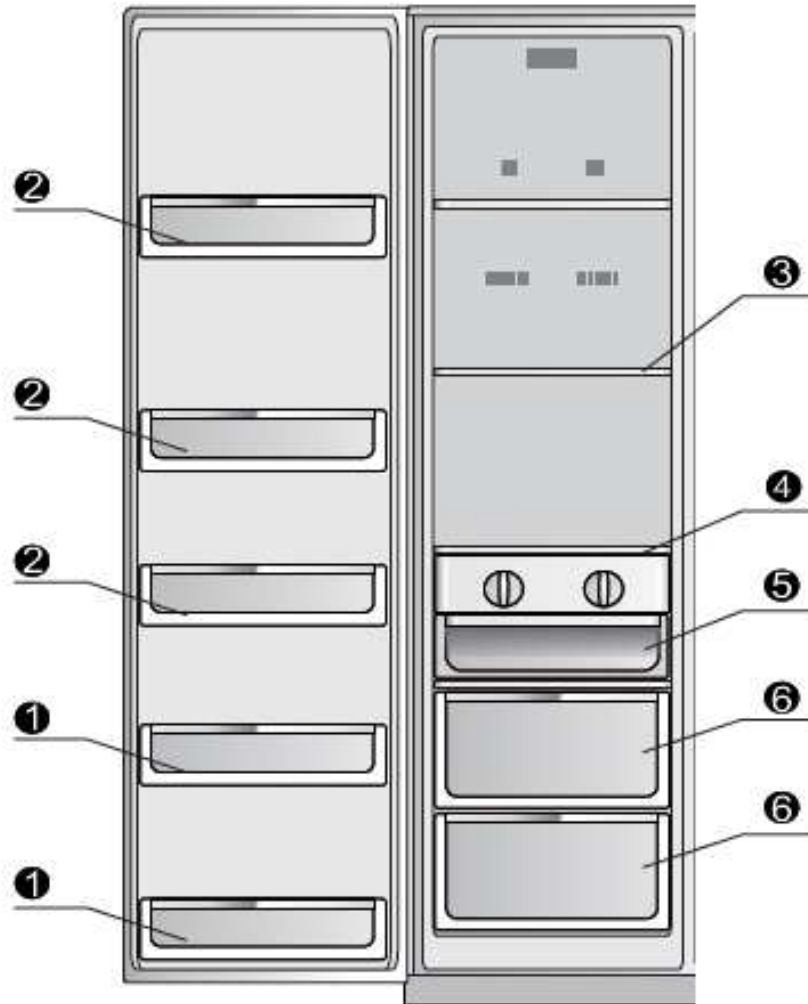
- ① Store pasta, canned food, milk, etc.
- ② Store fast food, dairy products, etc.
- ③ Store cooked meat and sausage, etc.
- ④ Store fruits and vegetables, etc.
- ⑤ Store eggs, butter, cheese, etc.
- ⑥ Store easy-open tin cans, canned food, spices, etc.
- ⑦ Store all kinds of bottled drinks and food.

Freezer compartment

The freezer compartment is for food that requires long term storage.

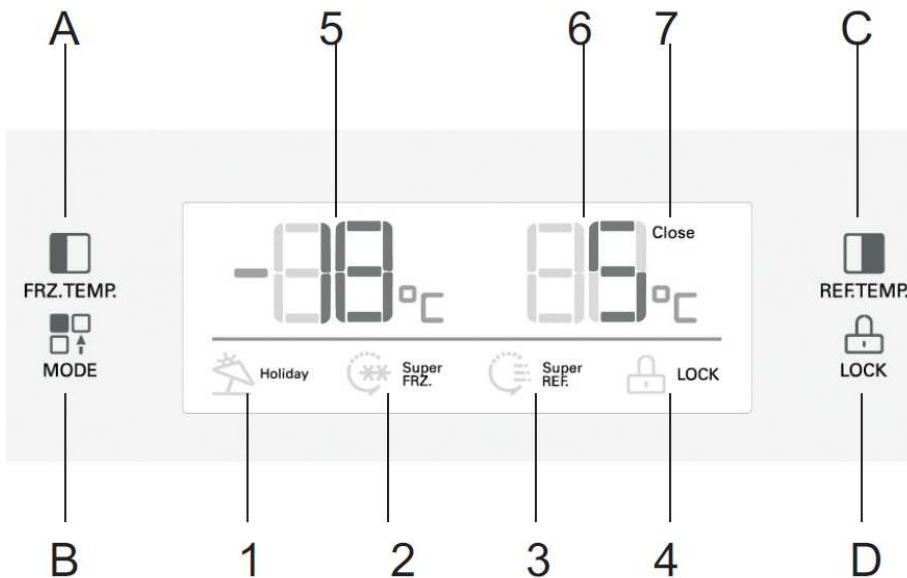
The temperature of the freezer compartment is very low, so food can be stored for long periods of time. Only store food for the period of time suggested on the packaging and always observe the use by date.

Recommended storage area for all kinds of food



- ① The storage grilles on the door of the freezer room (2 stars) are used for short-term storage of food and ice cream.
- ② The storage grilles in the freezer room are used for the storage of frozen food.
- ③ The glass shelves are used for the storage of frozen food, such as fish, meat and ice cream.
- ④ Rotary ice maker is used to produce ice.
- ⑤ Ice box is used for the storage of ice cubes.
- ⑥ Freezer drawer is used for the storage of fish, meat and poultry with the food packaging.

The control panel



1. Button operation

- A. Freezer compartment temperature adjustment
B. Mode Settings
C. Refrigerator compartment temperature adjustment
D. Lock/Unlock

2. Display

1. Vacation mode 2. Quick-freezer mode 3. Quick-cool mode
4. Lock icon 5. Freezer compartment temperature
6. Refrigerator compartment temperature 7. Close icon

3. Lock/Unlock

At non-lock state (the 4 icon does not show), press the D key, the refrigerator will go into the state of Locked and the 4 icon shows.

Press D key for 3 seconds continuously in the Locked state, the 4 icon disappears and the Locked state releases.

The following functions must be in operation under the unlocked state

Press mode button (button B), you can select the mode in the following sequence :

Vocation Quick-freezer Quick-cold and freezer Quick-cold None



4. Vacation mode

Press B key to select the vacation mode, the 1 icon shows , then press the D key to confirm, the refrigerator will be running in vacation mode..

5. Rapid cooling mode

Press the B key to select Rapid cooling mode, the 3 icon shows , then press D key to confirm, the refrigerator will then be running according to the Rapid cooling mode.

6. Quick-freeze mode

Press the B key to choose Quick-freeze mode, the 2 icon shows , then press D key to confirm, the refrigerator will be running according to the Quick-freeze mode.

7. Refrigerator compartment temperature settings

Press the C key once, the Refrigerator compartment temperature flashes, press C key again and you can set the temperature, the range of temperature is from 2°C to 8°C.

8. Freezer temperature settings

Press A key once, the freezer temperature displays with flashing, press A key again and you can set the temperature, the range of temperature is from -16°C to -24°C.

9. Turning the power off

Push and hold button C for 3 seconds, a buzzer will sound and the fridge freezer is now off. The screen (6) shows '---' and icon 7 will illuminate.

When the appliance is off, press and hold button C for 3 seconds, the buzzer will sound. The fridge freezer is now switched back on.

Announcements

- the refrigerator uses a alternating current supply which is 220V-240V,50HZ. If the voltage fluctuations is large (over the scope of 187-264V) , it may cause some failures , such as the refrigerator does not start, the main control board and compressor burn out and the compressor works with abnormal noises, etc. At this time you must install an automatic voltage regulator which is above 1000W for use. The refrigerator power's cord with a three-plug (grounding) complies with the standard three-socket (grounding) .Don't cut off or remove the third pin of the power card under any circumstances. After the refrigerator is installed, plugs should be with in reach.. The power plug must be firmly contacted with the socket, otherwise it might cause fire.

- Do not grasp and pull the power cord to remove refrigerator plugs. Hold the plug firmly, and pull out the plug from the socket directly. Do not allow the power cable by the refrigerator or trampled by people. Be careful when the refrigerator will be removed from walls. Do not roll or damage power lines, do not use power lines and plugs when they have beendamaged or worn out. Contact Caple service to replace power lines if they were worn out or damaged.

- When inflammable gas is leaked, such as coal gas, close the gas valve, open the doors and windows, do not pull out or plug in plugs of the refrigerator and other appliances.

- Do not store explosive substances such as aerosol cans with a flammable propellant in this appliance.

- Do not use flammable solvent near refrigerator, so as to avoid fire.

- To ensure safety, do not place power outlets, voltage regulated power supply, microwave ovens and other appliances on refrigerator. Do not use other appliances in refrigerator(except recommended models), In order to avoid electromagnetic interference and other accidents.

- Do not let children go into the refrigerator or climb up the refrigerator. In order to avoid children becoming trapped inside or being hurt buy the appliance..

- After the refrigerator is running, Do not touch the icy surface of the freezer with hands, particularly wet hands, It may cause frostbite.

- The gap between doors and the gap between door and refrigerator body are very narrow. Be careful not to put your hands or fingers into these areas to prevent fingers from becoming injured.. Do not let the children near the refrigerator when opening and closing the doors.

- Do not spray and rinse the refrigerator with water, and do not install the refrigerator in the wet place or the place which water or rain splashes, as not to affect the electrical insulation of the refrigerator.

- Never dismantle refrigerator personally, never transform the refrigerator and damage cooling pipes. Maintenance of refrigerator must be carried out by professionals.

- Do not put bottles of beer、 or other bottled drinks in the freezer. It may freeze the contents causing the bottle to break..

- Pull out the plug when cleaning or the power has failed.. Wait for 5 minutes or longer when reconnecting the plug. It may damage the compressor if it starts up too soon..

- Before you dispose your old refrigerator, take off the door, remove the door seals and the shelves, place the

door and rack in the right position, to reduce the chance of children climbing inside or preventing accidents.

- This product is for household use, according to the regulation of government standard, Household refrigerators are only for food storage, not for other uses, such as storage of blood, drugs and biological products.

Maintenance and care refrigerator

Defrost the freezer

The freezer compartment will defrost automatically.

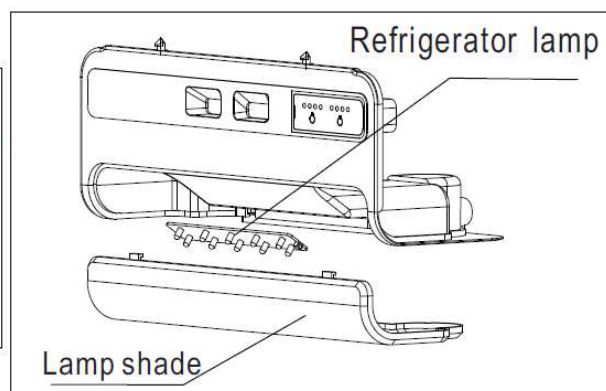
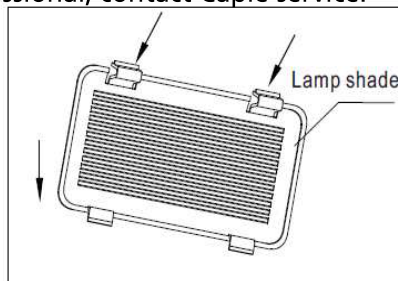
Cleaning

The remnants of food in the refrigerator will produce a bad odour, so it is necessary to clean the refrigerator regularly.

- For security, pull out the power plug before cleaning.
- Use soft towel or sponge with warm water to clean the refrigerator.
- Remove the water on the surface of refrigerator with a dry cloth.

Replacement of the lights in the freezer and refrigerator, and specification of lights

- Specification: direct current 12v, LED
- Shut off the power
- As per the image below, remove the shade along the drive direction of the arrow, and then tighten the screws, remove the LED lights;
- Replace the lights by reversing these steps
- To be replaced by a professional, contact Caple service.



When Shutting off the refrigerator

If you are not using the appliance for a long period of time

You should pull out the power supply, otherwise, it may cause electric shock or fire if power lines begin to age.

When power failure

You should minimize the frequency you open the door, and it is not appropriate to add to fresh foods in the refrigerator.

When discarding the refrigerator

Before you throw away your old refrigerator, make sure take off the doors, to prevent children climbing inside.

Simple trouble analyzing and shooting

Please read the following contents carefully before requesting a repair


Occurrence	Possible cause/inspection items
not working	Check the product is connected to the power supply and it is switched on. Check the voltage (too low), call local electrical company
not cooling correctly	Is the temperature setting too high, try reducing the set temperature. Is too much food being stored. Has hot or warm food been added recently. Are the doors being opened too frequently. Is the appliance near a heat source.
noisy	it is normal for a fridge freezer to produce strange noises (see below) Is the appliance situated on a flat stable floor. Is it correctly leveled and located correctly.
Food is freezing	Is the food too near the airway
Odours	Has food with strong smells been well packed. Has food become spoiled Clean the fridge

If the situation does not improve after the above items been checked, please contact our after-sale service.
If the power cable is damaged, the repair must be done by the engineers sent by us to avoid any danger.

Non-malfunction Phenomenon

The following speed of the refrigerant in the capillary is very high, sometimes the alveoli become intermixed. Hence some irregular noise may occur at the exit.

When the humidity is too high, surroundings of the refrigerator door may be a little wet, please wipe away with a dry cloth.

Correct Disposal of this product	
	<p>Correct Disposal of this product</p> <p>This marking indicates that this product should not be disposed with other household wastes throughout the EU. To prevent possible harm to the environment or human health from uncontrolled waste disposal, recycle it responsibly to promote the sustainable reuse of material resources. To return your used device, please use the return and collection systems or contact the retailer where the product was purchased. They can take this product for environmental safe recycling.</p>

Energy Saving Tips

- The appliances should be located in the coolest area of the room, away from heat producing appliances or heating ducts, and out of the directly sunlight.
- Let hot foods cool to room temperature before placing in the appliance. Overloading the appliance forces the compressor to run for longer. Foods that freeze too slowly may lose quality, or spoil.
- Be sure to wrap foods properly, and wipe containers dry before placing them in the appliance. This cuts down on frost build-up inside the appliance.
- The appliance storage bin should not be lined with aluminum foil, wax paper, or paper toweling. Liners interfere with cold air circulation, making the appliance less efficient.
- Organize and label food to reduce door opening and extended searches. Remove as many items as needed at one time, and close the door as soon as possible.