



CAFF205WH

Caple Side by side Fridge Freezer

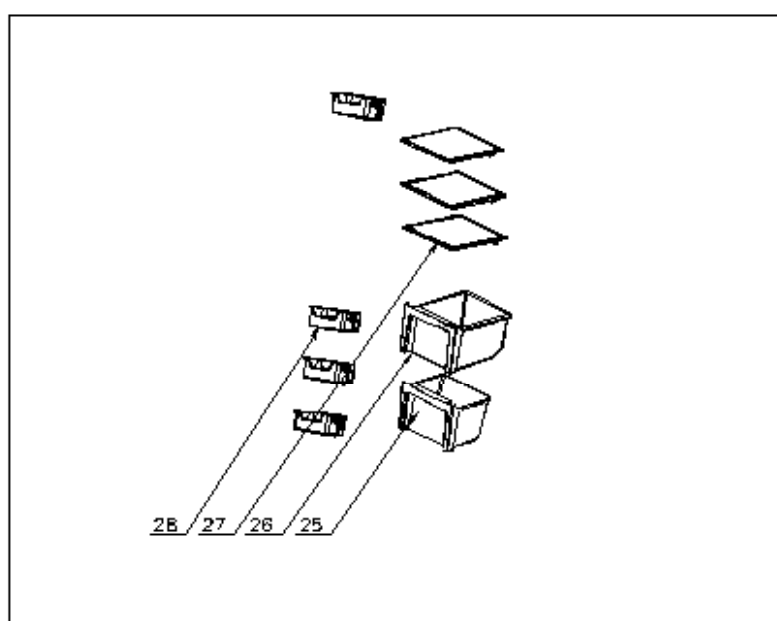
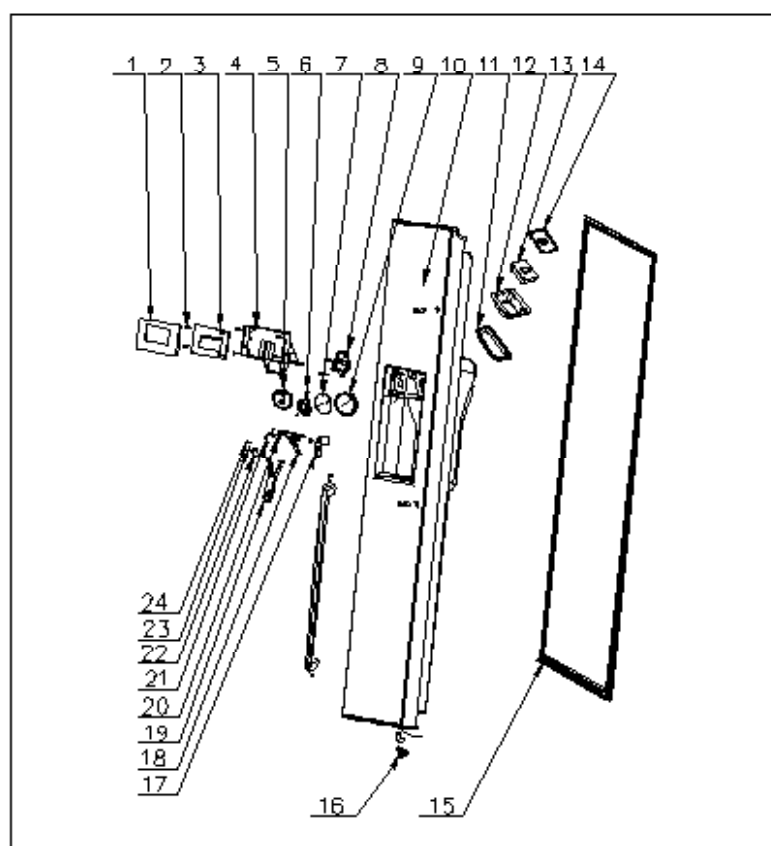


Technical information



CAFF205SS

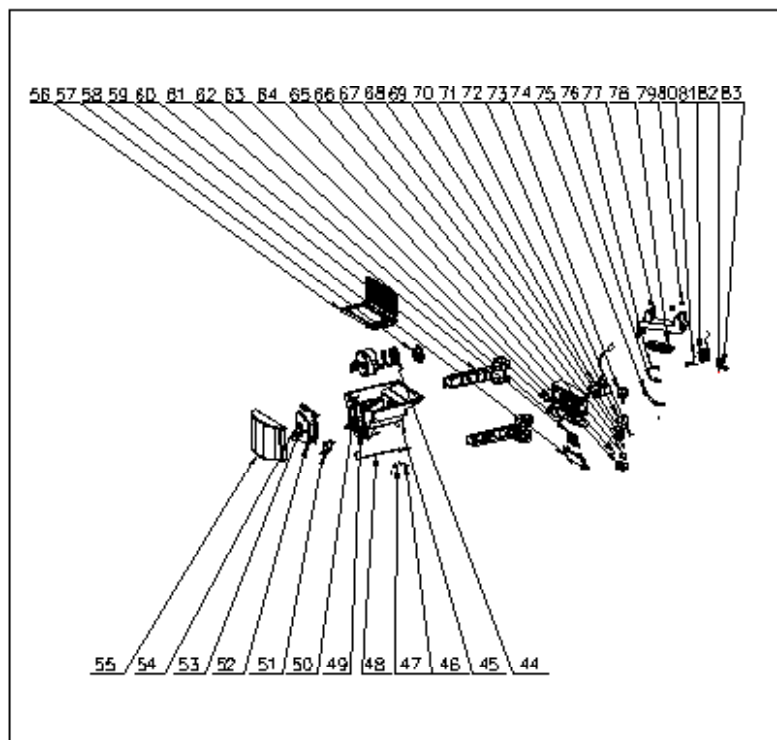
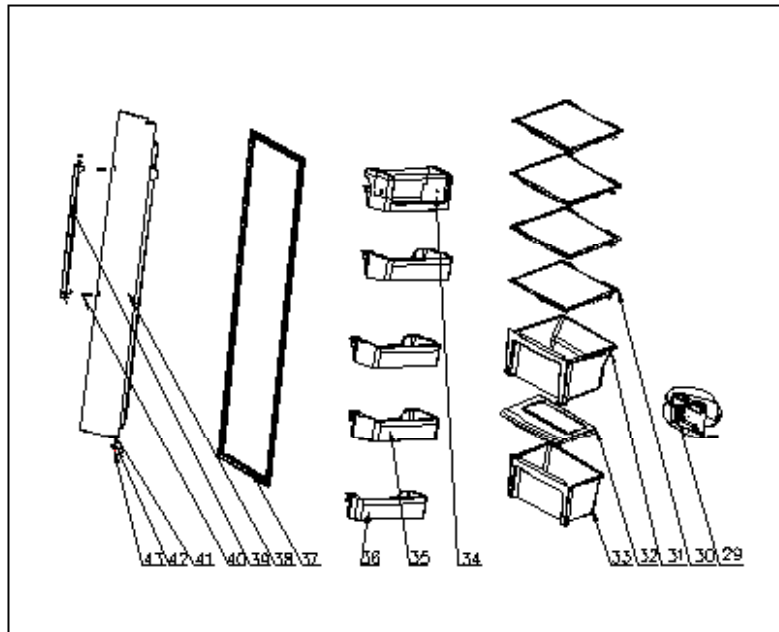
Caple Side by side Fridge Freezer





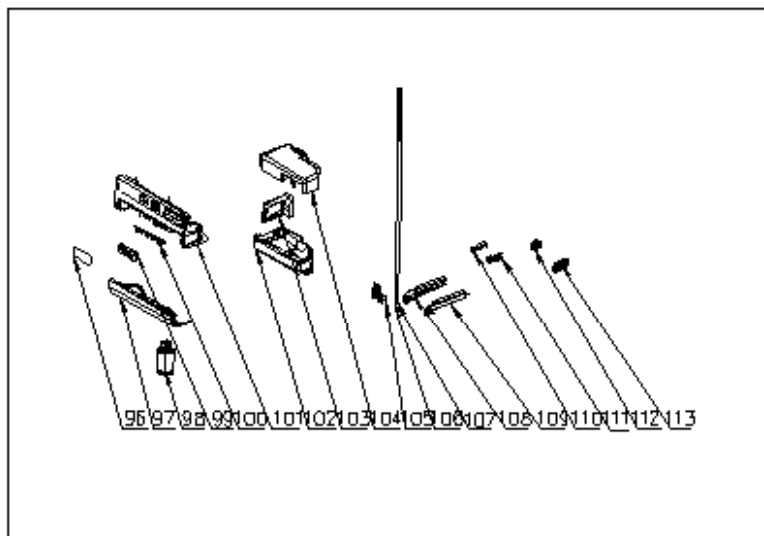
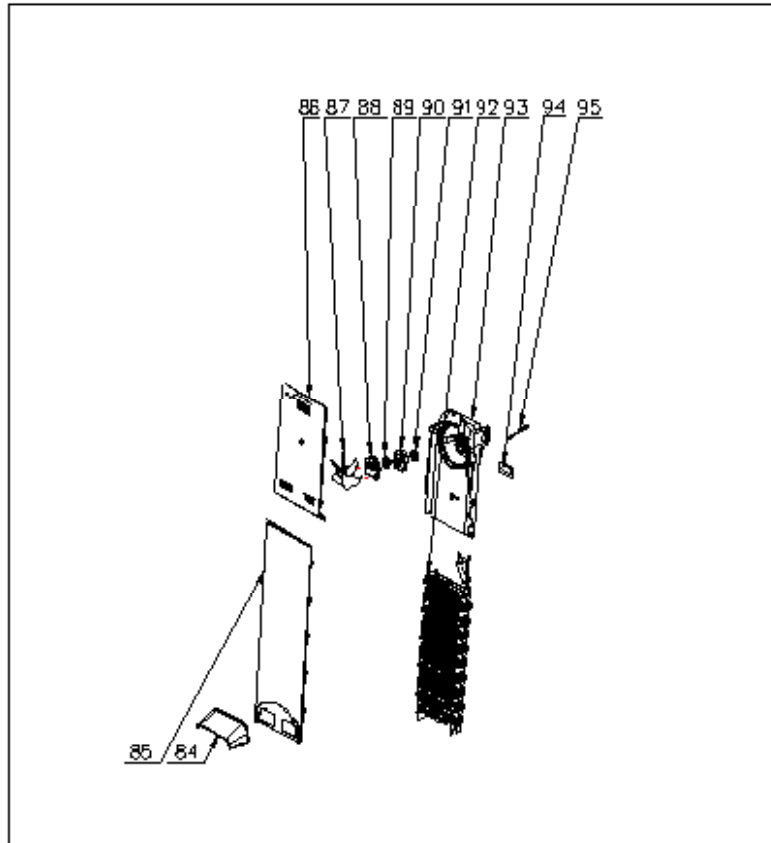
CAFF205SS

Caple Side by side Fridge Freezer



CAFF205SS

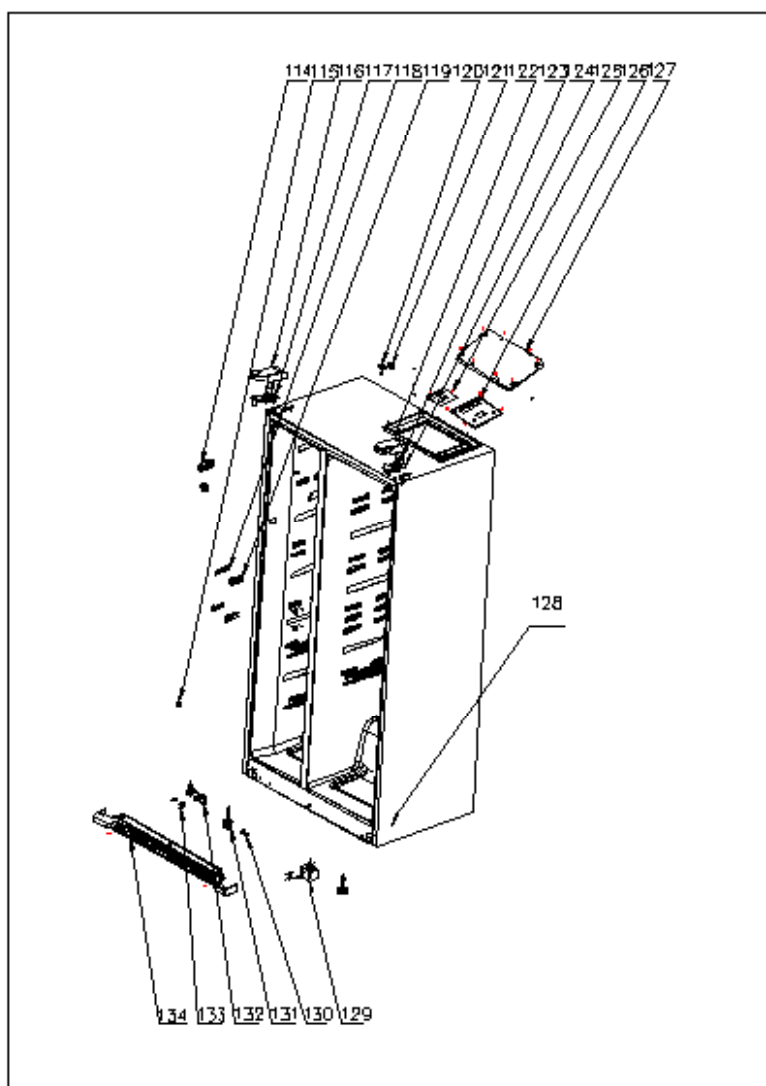
Caple Side by side Fridge Freezer





CAFF205SS

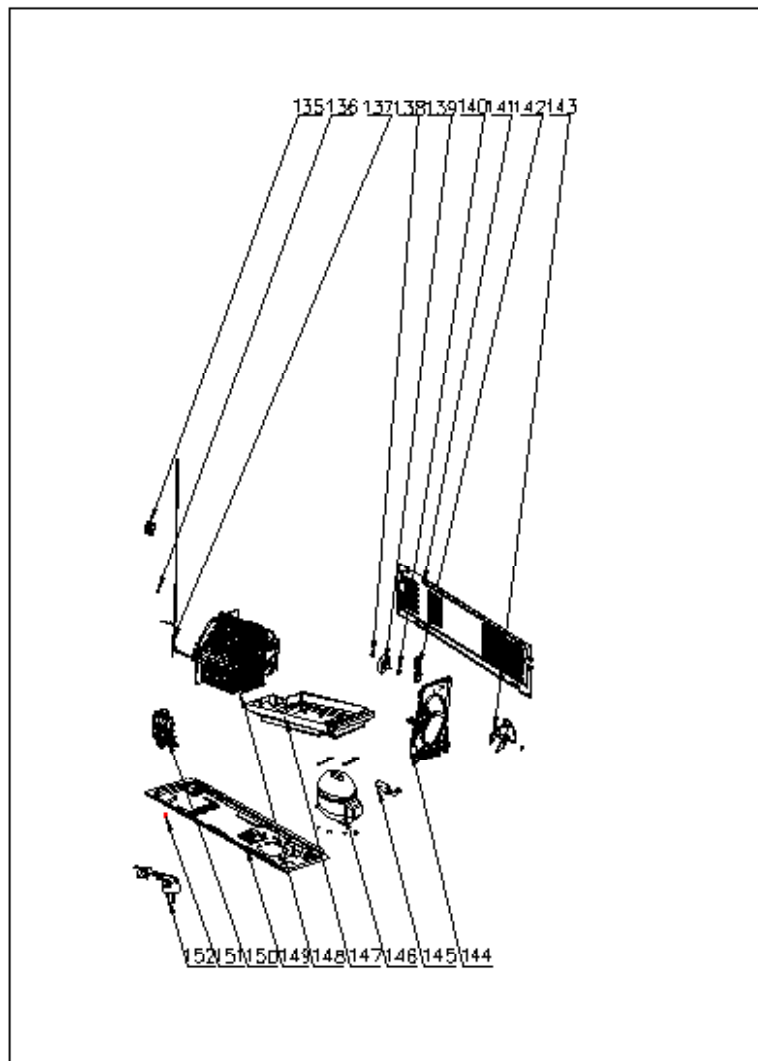
Caple Side by side Fridge Freezer





CAFF205SS

Caple Side by side Fridge Freezer





CAFF205WH - Caple Side by side fridge freezer

Item	Part Code	Description	Qty
1	501152810006	display and control panel	1
2	502500100060	screw	4
3	502301000089	display control PCB	1
4	501152810007	ice cover	1
5	501153810042	valve briquette	1
6	502411010002	ice mouth heater	1
7	50210101000N	sponge pad	1
8	502404010004	open door motor	1
9	502799900028	Ice discharging valve cover	1
10	5037001145DX	F door assembly	1
11	501153810009	ice mouth decorative cover	1
12	501152810002	seal box	1
13	50220201001A	seal foam	1
14	501152810001	seal cover	1
15	50115501000G	F door seal	1
16	500755310001	door stopper	1
17	502410010002	distributor lamp	1
18	50115281000A	lever ice shut	1
19	50115281000B	distributor catch	1
20	501253810002	valve compression)	1
21	502502310001	torsion spring	1
22	502408000113	micro switch	1
23	502502100010	washer	1
24	502500300052	screw	3
25	501154510019	F bottom drawer	1
26	501154510020	F upper drawer	1
27	503602010268	F glass shelf assembly	3
28	501152810019	F tray	4
29	50115281001F	water box	1
30	503602010270	R glass shelf assembly	4
31	501154510018	R drawer	1
32	501154510030	R bottom drawer cover	1
33	501154510017	R drawer	1
34	501154510014	R upper flip tray assembly	1
35	501154510016	R middle large tray	3
36	501154510015	R bottom large tray	1
37	50115501000F	R door seal	1
38	503700114283	R door assembly	1
39	502908010012	R door handle	2
40	502501100012	bolt	4
41	501155810017	door closer	2
42	500755310001	door stopper	1
43	502500300052	screw	2
44	502419010001	Helix assembly	1



CAFF205WH - Caple Side by side fridge freezer

Item	Part Code	Description	Qty
45	50115281000E	ice box	1
46	502502310002	ice select lever spring	1
47	501153810042	valve briquette	1
48	50125281000E	ice select lever	1
49	502500100007	screw	1
50	502500100056	screw	1
51	50115281000G	ice select door	1
52	50115281000H	blade cover	1
53	50125281000A	gasket plate	1
54	501252810009	fixed snap ring	1
55	50115371A006	bucket cover A	1
56	50115281000Q	bucket cover B	1
57	50115281000N	fixture helix	1
58	501154510011	lamp cover	1
59	50115281000S	ice bucket guide	2
60	502410000102	LED	1
61	502500200068	screw	2
62	50125281000M	helix driver handle	1
63	50115281000R	ice crusher motor cover	1
64	50115281000R	solenoid valve guide hook	1
65	50125281000J	solenoid valve hook fixed pin 1	1
66	50115281000U	solenoid valve hook A	1
67	50115281000V	solenoid valve hook B	1
68	50115281000W	solenoid valve hook C	1
69	502502310003	solenoid valve spring	1
70	502404010003	ice output motor	1
71	502101010008	PE sponge	1
72	50125281000L	solenoid valve hook fixed pin 2	1
73	502416010001	cube valve	1
74	501152810010	ice detect lever	1
75	501152810012	I/M sensor cover	1
76	50220201001H	I/M sensor insulation foam	1
77	50115281000X	I/M frame	1
78	501152810011	ice tray	1
79	501157010126	im hanging button	3
80	502403010018	temperature sensor	1
81	502404010002	motor im	1
82	502500100048	screw	1
83	501152810004	junction box	1
84	50115281000D	F return air duct cover	1
85	501154510024	F bottom air channel cover	1
86	501152810005	F air duct cover	1
87	501154510027	fan blades	1
88	501155310010	motor cover	1
89	502799900039	pad	1
90	502404000150	F fan motor	1
91	502799900038	pad	1
92	501551510001	F evaporator assembly	1



CAFF205WH - Caple Side by side fridge freezer

Item	Part Code	Description	Qty
93	501154510022	air duct cover	1
94	500501210003	F air outlet seal sponge	1
95	502415010005	heater	1
96	501155010002	air duct decoration	1
97	501152810014	R air duct lamp cover	1
98	502417010002	filter assembly	1
100	502410000102	LED	1
101	501154510028	R top air channel panel	1
102	502201000140	R air channel foam	1
103	502404000151	electric throttle	1
104	502201000141	R air channel foam	1
105	502417010005	filter head	1
106	501152810016	flexible tube	1
107	501152810015	flexible tube	1
108	501154510010	drawer left slider	3
109	501154510009	drawer right slider	3
110	501154510008	drawer left stopper	1
111	501154510007	drawer right stopper	1
112	502408000113	door switch	1
113	501125810006	sensor box cover	1
114	501125810006	sensor box cover	1
115	502799910008	pipe cover	1
116	501154510032	left hinge cover	1
117	502905010144	top hinge assembly	1
118	501154510008	drawer left stopper	3
119	501154510007	drawer right stopper	3
120	502799900024	inlet connector	1
121	500753810002	inlet connector cover	1
122	501154510031	right hinge cover	1
123	502500300052	screw	6
124	502905010143	top hinge assembly	1
125	502500200051	screw	4
126	502301000088	main control PCB	1
127	501155810156	main control PCB mounting-box cover	1
128	50370501133S	cabinet assembly foamed	1
129	502905010203	right bottom hinge assembly	1
130	50115281001B	quick fitting	1
131	501155810053	adjustable foot	2
132	502905010210	bottom hinge assembly	1
133	502500300052	screw	9
134	501154510001	bottom cover	1
135	501153810022	pipe cover	1
136	501153810035	pipe clip	12
137	501152810017	flexible tube	1
138	502799900038	pad	1
139	502404000128	condenser fan motor	1
140	502799900039	pad	1
141	500755810007	compressor chamber cover	1



CAFF205WH - Caple Side by side fridge freezer

Item	Part Code	Description	Qty
142	501155310008	fan motor box	1
143	501160010001	fan blades	1
144	501155310006	fan supporter	1
145	502421000005	EMI filter	1
146	501402610005	compressor	1
147	501155810066	evaporator tray	1
148	501755810001	rotation finned condenser	1
149	500754510001	compressor mounting panel assembly	1
150	502417010007	water valve	1
151	502500100048	screw	47
152	50240101001K	power cable	1
--	17431000000250	Suppressor	1

