



Instruction manual for side by side fridge freezer

Model code: CAFF20



Contact Caple on 0844 800 3830 or for spare parts www.4caple.co.uk

Thank you for your trust and for buying this appliance. We hope it will successfully serve the purpose for many years.

Refrigerator with freezer is for domestic use only.
The right part of the appliance is refrigerator and is used for storing fresh foods at the temperature of 0°C and higher.

The left part is freezer and is used for freezing fresh foods and storing frozen foods for longer periods of time (up to one year, depending on the kind of foods you store). The compartment is marked with four stars..

Before Putting Into Use	2	Description of the Appliance	6
Instructions for Use		Operation Control	6
Mounting Instructions		Use	13
We Care for the Environment		Storing Fresh Foods	
Tips for Energy Savings		Freezing Fresh Foods	
Important	3	Ice Making	
Storing Time During Power Supply Interruption		Maintenance and Cleaning	16
Disposing of the Worn Out Appliance		Defrosting the NO FROST refrigerator	
Placing and Installation	4	Defrosting the NO FROST Freezer	
Choosing the Right Place		Cleaning the Appliance	
Connection to Power Supply		Switch Off the Appliance When Not In Use	
Feet adjustment		Trouble-Shooting Guide	16
Decorative plinth installation			

i Before Putting Into Use

- Before connecting the appliance to the mains supply, leave it stand for about 2 hours, which will reduce a possibility of malfunctions in the cooling system due to transport handling.
- Clean the appliance, and be thorough, especially in the interior (See Cleaning and Maintenance).
- In case the interior accessories are not correctly placed, rearrange them as described in chapter Description of the Appliance.

to your appliance and description of the accessories that your appliance does not include.

Mounting Instructions

Integrated appliances are equipped with instructions for mounting the appliance into the kitchen unit. The appliance should be mounted by qualified technician and instructions are for his use only.

We Care for the Environment

- Our appliances are distributed in packaging made of environmental friendly material which could safely be recycled, disposed off or destroyed, with no effects on the nature whatsoever.

Instructions for Use

These instructions for use are intended for the user. They describe the appliance and its correct and safe use. They were prepared for various types of refrigerators therefore you might find in it some functions that do not apply

- When your appliance finally wears out, please try not to burden the environment with it; call your nearest authorised service agent. (See Disposing of the Worn Out Appliance).

Tips for Energy Savings

- Try not to open the door too often, especially when the weather is wet and hot. Once you open the door, close it as soon as possible. This is especially important if you have an upright model.
- Every now and then check if the appliance is sufficiently ventilated (adequate air circulation behind the appliance).
- Use higher temperature settings only when required or recommended.
- Before loading the appliance with packages of fresh foods, make sure they are cooled to ambient temperature.
- If the gasket is damaged or if it turns out that the sealing is poor, the energy consumption is substantially higher. To restore efficiency, replace the gasket.
- Always consider instructions stated in sections Positioning and Energy Saving Tips, otherwise the energy consumption is substantially higher.

⚠ Important

- If you have bought this appliance to replace an old one equipped with a lock that cannot be opened from inside (lock, bolt), make sure that the lock is broken. This will make it impossible for children to lock themselves inside the appliance and suffocate.
- The appliance must be correctly connected to the mains supply. (see: Connecting to the Mains Supply).
- Do not touch the cooled surfaces while the appliance operates, especially not with wet hands, because the skin may stick to the cold surfaces.
- Do not freeze bottles containing liquid, especially not soft drinks, such as mineral water, sparkling wine, beer, cola etc., because liquid expands during freezing and the glass bottle is very likely to blow up.
- Do not eat frozen food (bread, fruit, vegetables), because you can get frostbites.
- If the food has strange smell or color, throw it away, because it is very likely that it is spoiled and therefore dangerous to eat.
- Disconnect the appliance from the power supply before repairing it (only a qualified technician should repair it), before cleaning and before replacing the light bulb.
- Do not defrost the appliance with other electric devices (hair dryer etc.) and never scrape the ice or frost layer with sharp tools. Use only enclosed tools or tools recommended by the manufacturer.
- For the sake of environment protection - be careful not to damage the rear wall of the appliance (the condenser unit or the tubes - for example when moving the appliance) or any part of the refrigerating system inside the appliance.
- The refrigerating system of the appliance is filled with refrigerant and oil, so when the appliance is damaged, handle it with care and dispose it of in compliance with environmental protecting precautions. (See We Care for the Environment).
- A Heating element is incorporated in the appliance, all around the rim, is controlled by the operation of the compressor and it prevents the door gasket freezing on to the freezer housing.
- If the supply cord is damaged, it must be replaced by the manufacturer or his service agent or a qualified person in order to avoid hazard.
- The rating plate is inside the appliance or outside on the rear wall.



The symbol on the product or on its packaging indicates that this product may not be treated as household waste. Instead it shall be handed over to the applicable collection point for the recycling of electrical and electronic equipment. By ensuring this product is disposed of correctly, you will help prevent potential negative consequences for the environment and human health, which could otherwise be caused by inappropriate waste handling of this product. For more detailed information about recycling of this product, please contact your local city office, your household waste disposal service or the shop where you purchased the product.

Storing Time During Power Supply Interruption

Do not open the freezer in case of failure or power supply interruption! In case the interruption is extended over longer period of time (16 hours), take food out of the freezer and use it, or make sure that is sufficiently cooled (perhaps you have an extra appliance).

Disposing of the Worn Out Appliance

- When your appliance finally wears out, dispose it of. If the appliance has a lock,

break it, in order to prevent eventual accidents (danger of children becoming locked inside the appliance).

- The refrigerating system of the appliance is filled with refrigerant and insulating substances which should be separately treated and processed. Call your nearest authorised service agent or specialised servicing centre. If you don't find one, contact your local authorities or your distributor. Be careful not to damage the tubes on the rear wall of the appliance (danger of pollution).

Placing and Installation

Choosing the Right Place

Place the appliance in a dry and regularly ventilated room. Allowed ambient temperature depends on the model (class) of the appliance and is stated on the rating plate of the appliance. Never place the appliance near heat emitting devices (e.g. cooker, radiator, water heater or similar devices) and do not expose it to direct sunlight. The appliance should be positioned at least 3 cm away from the electric or gas cooker and at least 30 cm away from the oil or coal stove. If this is not possible, use an appropriate insulation. Behind the appliance there should be free space at least 200 cm² wide and above the appliance the high kitchen units should be at least 5 cm away from the appliance in order to assure adequate ventilation of the condenser unit.

Class	Ambient temperature
SN (subnormal)	from + 10°C to + 32°C
N (normal)	from + 16°C to + 32°C
ST (sub-tropical)	from + 16°C to + 38°C
T (tropical)	from + 16°C to + 43°C

Connection to Power Supply

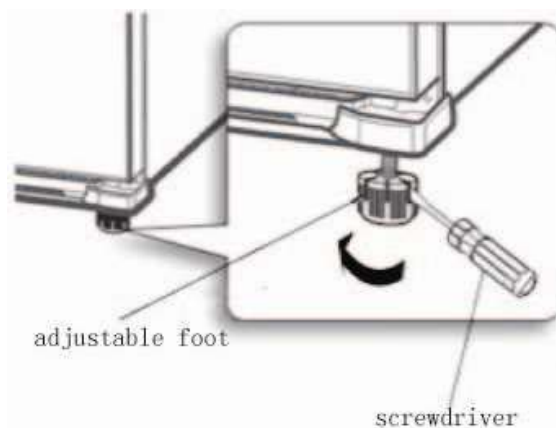
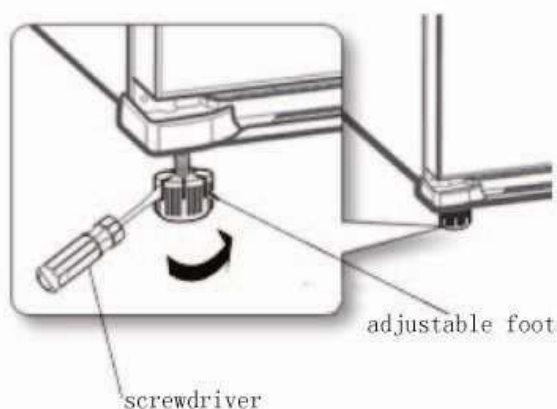
Connect the appliance with the cable and plug to the power supply socket outlet with a ground terminal (safety socket). Required nominal voltage and frequency are indicated on the rating plate. The connection to the mains supply and earthing have to be made according to current standards and regulations. The appliance resists temporary voltage tolerance up to -6 to +6 %.

Feet adjustment

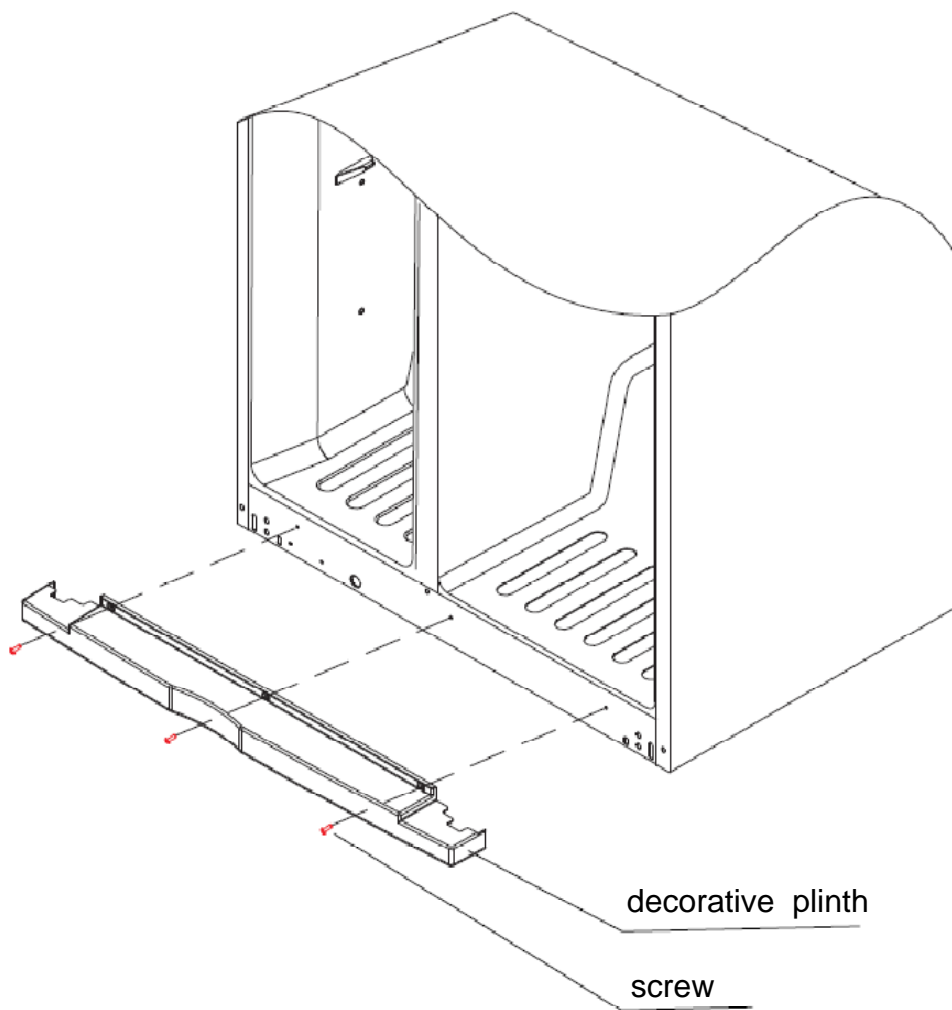
The fridge/freezer must be installed on a firm, flat and level surface for it to work quietly and efficiently.

If the feet are not already fitted, screw them into the two front corners of the bottom of the casing.

Fine adjustments can be made to level the appliance by turning the feet to raise or lower, please follow the direction in the figure.



Decorative socle installation

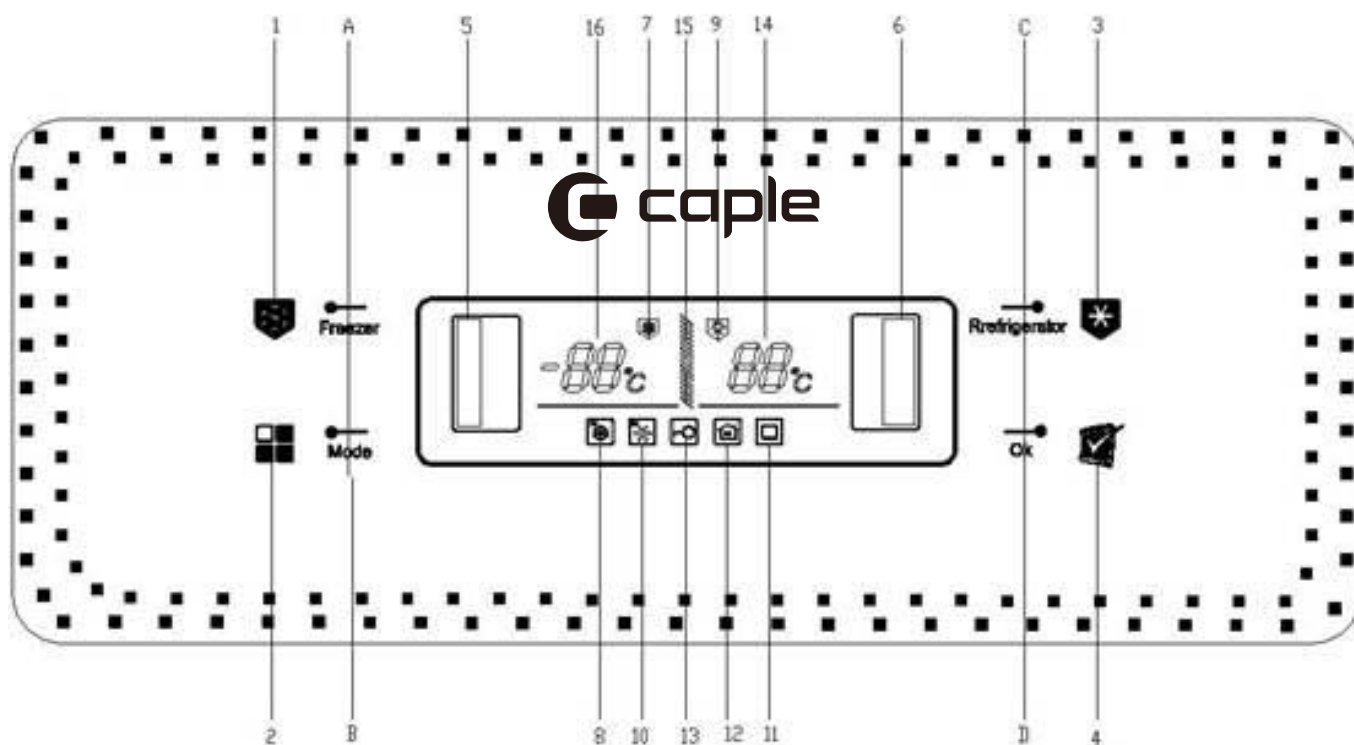


Description of the Appliance



- 1 Freezer door rack
- 2 Freezer compartment glass shelf
- 3 ice-maker box
- 4 Ice box
- 5 Freezer compartment drawer
- 6 Refrigerator compartment glass shelf
- 7 Refrigerator compartment small drawer
- 8 Vegetable crisper
- 9 Refrigerator door rack
- 10 Substance box
- 11 Lower plastic cover
- 12 air channel cover

Operation Control



1. Button operation

1. Freezer compartment adjustment button
2. Mode Settings
3. Refrigerator compartment temperature adjustment button.
4. Confirmation and lock/unlock button

2. Indicator lamp

- A. Frozen thermostat Indicator lamp
- B. Mode selection Indicator lamp
- C. Refrigerator thermostat Indicator lamp
- D. Confirmation and lock/unlock button lamp

3. Display

5. Freezer icon
6. Refrigerator icon
7. Freezer compartment
8. Quick-freeze mode
9. Refrigerator compartment
10. Quick-cold mode
11. Intelligent mode
12. Vacation mode
13. Lock icon
14. Refrigerator compartment temperature
15. Compressor running dynamic signal
16. Freezer compartment temperature

4. Lock/Unlock mode

Press 4 button for 3 seconds persistently at the non-locked state (the 13 icon does not show), the refrigerator will go into the state of Locked operation and the 13 icon shows. Press 4 button for 3 seconds persistently at the Locked state, the 13 icon disappears and Locked state releases.

The following functions must be in operation under the unlocked state

5. Intelligent mode

Press 2 button to select Intelligent mode, the 11 icon shows, then press 4 button to confirm, the refrigerator will be running according to Intelligent mode.

When Intelligent mode is on the temperature of the refrigerator compartment is set on 5 degree and freezer compartment is set on -18 degree.

The refrigerator automatic adjusts to the best cooling temperature according to the temperature of the environment without manual adjustment.

6. Vacation mode

Press 2 button to select Vacation mode, the 12 icon shows, then press 4 key to confirm, the refrigerator will be running according to Vacation mode.

Temperature of the refrigerator compartment is set on 7 degree and freezer compartment is set on -15 degree.

7. Rapid cooling mode

Press 2 button to select Rapid cooling mode, the 10 icon shows, then press D key to confirm, the refrigerator will be running according to Rapid cooling mode.

When rapid cooling mode is on, refrigerator compartment will start a turbo speed to shorten the cooling time to the temperature of 2 degree.

8. Quick-freeze mode

Press 2 button to choose Quick-freeze mode, the 8 icon shows, then press 4 key to confirm the refrigerator will be running according to Quick-freeze mode.

9. Withdraw from Cold-speed, Quick-frozen, Intelligence and Vacation mode

When these modes have been in force, press 2 key to select corresponding mode, then press 4 key to exit from corresponding mode.

10. Refrigerator compartment temperature settings

Press 3 button once, the Refrigerator compartment temperature displays with flashing, press 3 key again and you can set the temperature, the range of temperature is from 2°C to 8°C

11. Freezer room temperature settings

Press 1 button once, the refrigerator room temperature displays with flashing, press 4 key again and you can set the temperature, the range of temperature is from -16°C to -24°C.

12. Power failure memory function

When the electricity is off, the instantaneous work state is locked, After the electricity is on, the Refrigerator recovers work state before power failure automatically .

13. Latency protection function

With 5 minutes time-delay Circuit and procedures, The compressor's running time intervals are not less than five minutes at any time.

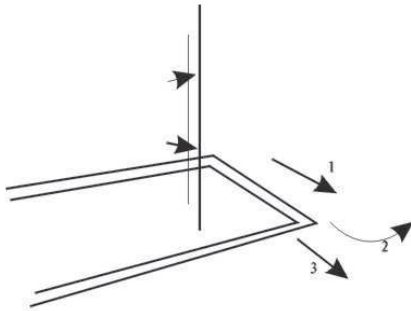
14. Failure tips

When the screen displays E1~E6,It is illustrated that the refrigerator is malfunctioning. Fridge is still able to refrigerate with some failures. But it must be maintained as soon as possible, so that the refrigerator can work well.

Refrigerator compartment

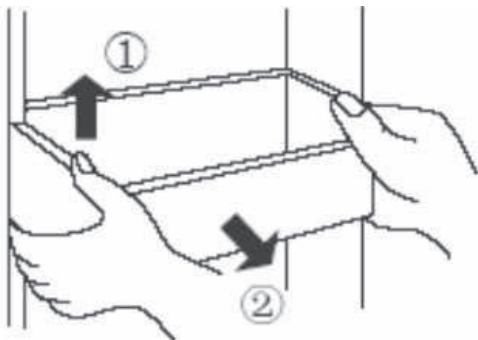
Put the food which are short-term storage or to eat at any time in the refrigerator compartment.

Shelf adjustment



According to the needs of food storage, you can adjust the shelf to the best position; To facilitate the use of it or adjustment the location, the shelf can be set to slip so that you can use and adjust it easily. When you want to clear the shelf, please move the shelf by the direction (1), then turn the shelf in the direction (2) for 90° until it is perpendicular to the original direction, pull out the shelf by the direction (3).

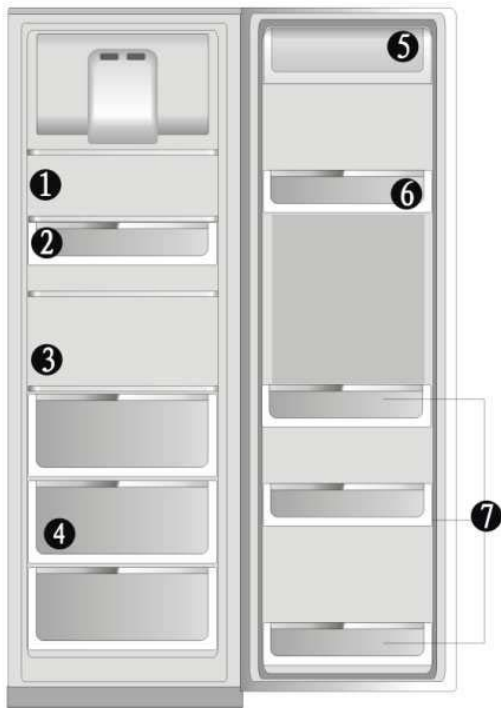
Height adjustment and cleaning of rack



Lift the rack by the direction ①, hold both the sides, then pull it out by the direction ②. After cleaning, to install the rack by the opposite direction. You can also adjust the position according to the height of stored food.

Recommendations of storage area for all kinds of food

As the cycle of air-conditioning in the refrigerator, it makes the temperature of all areas different. So different kinds of food should be placed in different temperature region.



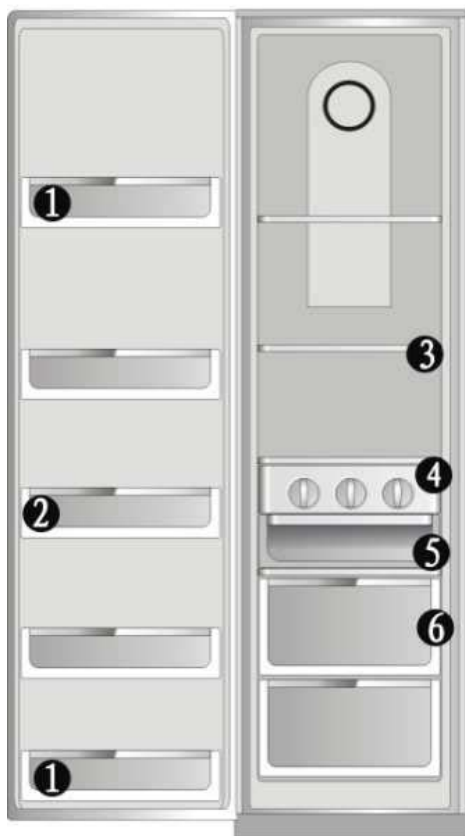
- 1 Store pasta, canned ,milk, etc.
- 2 Store fast food, dairy products, etc.
- 3 Store cooked meat and sausage, etc.
- 4 Store fruits and vegetables, etc

Wave Fresh Light function

The light has a similar spectrum to that of sunlight. It will help fruit and vegetables to photosynthesis, helping food to keep the vitamin C and lengthen the storage time. Use of the UV - LED lamp helps to degrade pesticide residues on vegetables, washing them in clean water before eating is still advised.

- 5 Store eggs, butter, cheese, etc.
- 6 Store easy-open tin can , canned foods , spices..
- 7 Store all kinds of bottled drinks and food

Freezer compartment



1. The storage grilles on the door of the freezer room are used for the storage of frozen food.
2. The storage grilles in the freezer room are used for the storage of frozen food .
3. The glass shelves are used for the storage of frozen foods, such as fish, meat and ice cream.
4. Rotary ice maker is used to produce ice.
5. Ice box is used for the storage of ice cubes.
6. The Freezer drawer is used for the storage of fish, meat and poultry with the food packaging.

Use

Storing Fresh Foods

Proper use of the appliance, adequately packed food, correct temperature and taking into account hygienic precautions will substantially influence the quality of the food stored.

- Foods to be stored in the refrigerator should be properly packed as to prevent mixing various moisture degrees and odors (in polyethylene bags or sheet, aluminium foil, wax paper, or stored in covered containers or bottles). Before you store food in the refrigerator, cool it to ambient temperature.
- Before storing food in the refrigerator, remove the excessive packaging (like yoghurt in multi-package).
- Pack systematically and make sure that foodstuffs do not touch each other (various odours may mix). Assure adequate air circulation around packages.
- Never store inflammable, volatile or explosive substances.
- Beverages with high alcohol percentage shall be stored in tightly sealed bottles in vertical position.
- Food should not touch the rear wall of the refrigerator!
- Foods should be cooled down before storing.
- Crispy and delicate foods should be stored in the coldest parts of the refrigerator.

- Some organic solutions like volatile oils in lemon or orange peel, acid in butter etc. can cause damages and when in contact with plastic surfaces or gaskets for longer period of time.
- A unpleasant odor inside the refrigerator is a sign that something is wrong with foods or that your refrigerator needs cleaning. Unpleasant odor can be eliminated or reduced by washing the interior of the refrigerator with a mild solution of water and vinegar. We also recommend using activated carbon filters to clean the air or to neutralize odors.
- If you plan a longer journey, make sure to remove quickly perishable articles of food out of the appliance before you leave.
- Try not to open the door too often.
- Set the temperature gradually as to avoid freezing of the foods. Use a thermometer and measure the temperature in the individual compartments. Place the thermostat in a glass vessel filled with water. Temperature readings are most reliable few hour after steady state is reached.

Fresh Food Storage Time in the Refrigerator

Article of food	Storage time (days)													
	1	2	3	4	5	6	7	8	9	10	11	12	13	14
Butter	+	+	+	+	+	+	+	=	=	=	=	=		
Eggs	+	+	+	+	+	+	+	+	+	+	=	=	=	=
Meat: fresh uncut chopped smoked	+	+	=											
	+	=												
	+	+	+	+	+	+	+	+	+	+	=	=	=	=
Fish	+	=												
Marinade	+	+	+	+	+	+	+	+	+	+	=	=	=	=
Root	+	+	+	+	+	+	+	+	=	=	=	=	=	=
Cheese	+	+	+	+	=	=	=	=	=	=	=	=	=	=
Sweets	+	+	=	=	=	=								
Fruit	+	+	=	=	=	=	=	=	=	=				
Prepared dishes	+	+	=	=										

Legend: + recommended storage time = possible storage time

Freezing Fresh Foods

- Carefully select food you intend to freeze; it should be of adequate quality and suitable for freezing.
- Use correct packaging and wrap it right.
 - The packaging should be air tight and shouldn't leak since this could cause substantial vitamin loss and dehydration of foods.
 - Foils and bags should be soft enough to tightly wrap around the foods.
- When preparing foods to be frozen, consider sanitary precautions.
- Mark packages with following data: kind and amount of foods and the date of loading.
- It is most important that the food is frozen as quickly as possible. Therefore we recommend the size of the package not to be too large and to be cooled before loading into the freezer.
- The amount of fresh foods that can be loaded in the freezer within 24 hours is indicated on the rating plate (freezing capacity). If the loaded amount is too large,

the quality of freezing is reduced which affects the quality of frozen foods.

Storing Frozen Foods

Packages of frozen foods are stored in the basket. If you remove the baskets, you can store frozen packages directly on the cooling shelves.

Commercially Frozen Foods

The storage time and the recommended temperature for storing commercially frozen foods are indicated on the packaging. For storing and using consider the manufacturer's instruction. When shopping, be careful and choose only adequately packed foods provided with complete data and stored in freezers where the temperature is not higher than -18°C. Do not buy packages of food covered with frost layer. This indicates that the package was thawed before at least once. Be careful that packages don't start to thaw, as the temperature raise reduces the quality of foods.

Approximate Storage Time for Frozen Foods

Food	Storage time (in months)											
	1	2	3	4	5	6	7	8	9	10	11	12
Vegetable								+	+	+		
Fruit										+	+	+
Bread, pastries			+									
Milk			+									
Ready-made meals			+									
Meat: Beef										+	+	+
Veal								+	+	+		
Pork				+	+	+						
Poultry								+	+	+		
Game						+	+	+				
Minced meat				+								
Smoked sausages	+											
Fish: lean			+									
fat	+											
Offal		+										

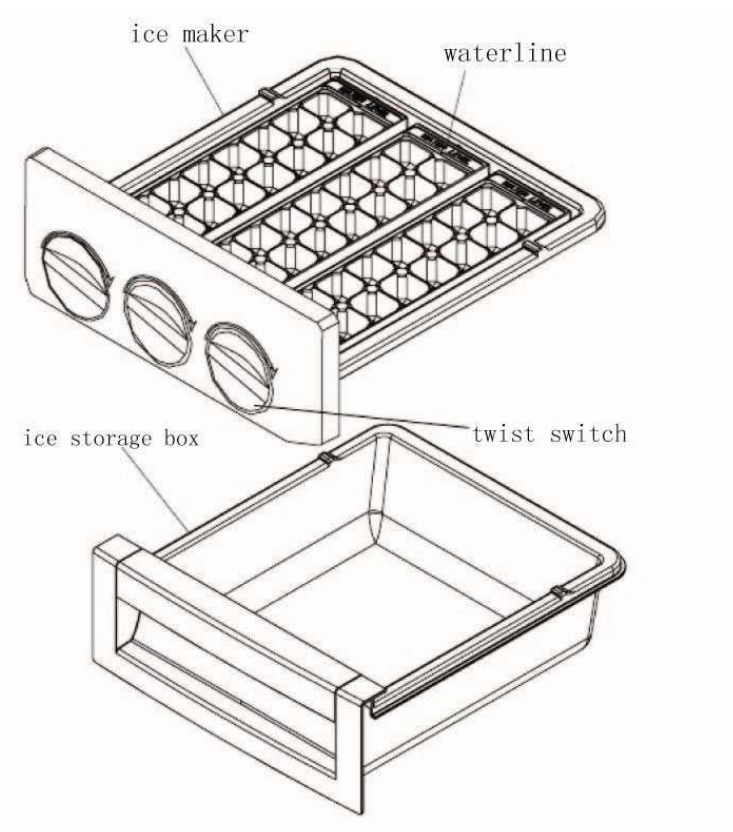
Defrosting of frozen foods

Partially thawed or defrosted foods should be used as soon as possible. Cold air preserves the food but it does not destroy microorganisms which rapidly activate after defrosting and make foods perishable. Partial defrosting reduces the nutritional value of foods, especially of fruits, vegetables and ready-made meals.

Ice Making

1. Take out the ice maker.
2. Fill the ice maker with cold water or pure water. Be careful not to exceed the water line , or the ice will not separate easily which causes difficulty when taking out.
3. return the ice maker to the freezer.
4. when ice is solid , twist the rotary switch clockwise then the ice will drop into the storage box.

Caution: Do not fill water with other liquid in the ice storage box .



Maintenance and Cleaning

Defrosting the NO FROST refrigerator

There is no need to defrost the refrigerator, because ice depositing on the inner back wall is defrosted automatically.

Periodic appearance of frost layer eventually disappears automatically.

Defrosting the NO FROST freezer

Defrosting of NO FROST freezer is automatic. Periodic appearance of frost layer eventually disappears automatically.

Cleaning the Appliance

Disconnect the power supply before cleaning the appliance.

Do not use coarse or aggressive cleaning agents as you can damage the surface. Be careful to remove any cleanser agent remaining after cleaning.

- Clean the **exterior** with water and detergent. Varnished surfaces are cleaned with soft

cloth and an alcohol based cleaning agent (for example glass cleaners). You may also use alcohol (ethanol or isopropyl alcohol). The application of abrasive and specially aggressive cleaners, such as the stainless steel cleaners, is not appropriate for the cleaning of plastic and coated parts.

- Remove the **detachable accessories** in the interior of the appliance and clean it with water and liquid detergent. Plastic parts cannot be washed in washing machine.
- Wash the **interior** of the appliance with lukewarm water, in which you added one or two spoonfuls of vinegar.

After cleaning, connect the appliance to power supply and reload the packages.

Switch Off the Appliance When Not In Use

If you do not intend to use the appliance for a longer period disconnect the power supply, take out the foods and clean the appliance. Leave the door slightly open.

🔍 Trouble-Shooting Guide

During the service, you can come across some troubles that in most cases result from improper handling of the appliance and can easily be eliminated.

The Appliance Fails to Operate After Connecting to the Mains Supply

- Check the supply in the outlet socket and make sure the appliance is switched on.

Continuous Operation of the Refrigerating System

- the door was frequently opened or it was left open for too long;
- the door is not properly closed (the door may sag, the gasket may be polluted or damaged);
- perhaps you have overloaded the appliance with fresh foods;

- The reason may be inadequate ventilation of the compressor.

The Freezer Door is Hard to Open

If you want to open the door that has just or recently been closed, you may find it hard to open. The reason why this happens is, that when you open the door, warm air gets into the appliance and when it is getting cool, the underpressure seals the door. After few minutes (1-3), the door can easily be opened.

Noise

Cooling in refrigerating-freezing appliances is enabled by the cooling system with compressor, which produces noise. How noisy the appliance is depends on where it is placed, how it is used and how old the appliance is.

- **During the operation** of the compressor the noise of liquid is heard and when the

compressor is not operating, the refrigerant flow is heard. This is a normal condition and it has no influence whatsoever on the lifetime of the appliance.

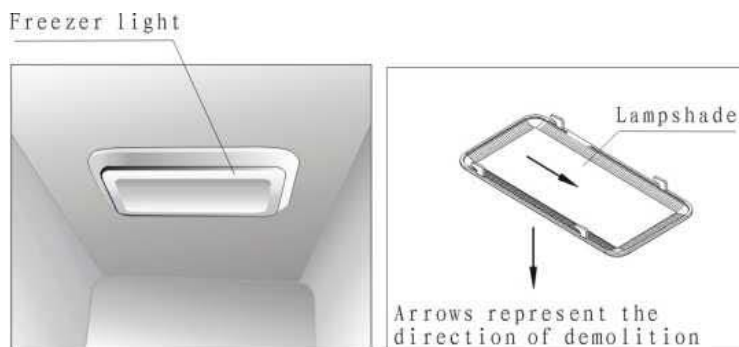
- **After starting the appliance**, the operation of the compressor and the refrigerant flow may be louder, which does not mean that something is wrong with the appliance and it has no influence on the lifetime of the appliance. Gradually the noise is reduced.

Sometimes **unusual and stronger noise** is heard, which is rather unusual for the appliance. This noise is often a consequence of inadequate placing.

- The appliance shall be placed and levelled firmly on solid base.
- It should not touch the wall or kitchen units standing next to it.
- Check the accessories in the interior of the appliance, they should be placed correctly in their positions; also check the bottles, tins and other vessels that might touch each other and rattle.

Bulb replacement (parameters for both compartments: DC/12V)

Freezer compartment



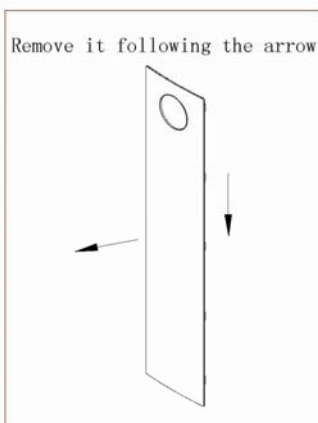
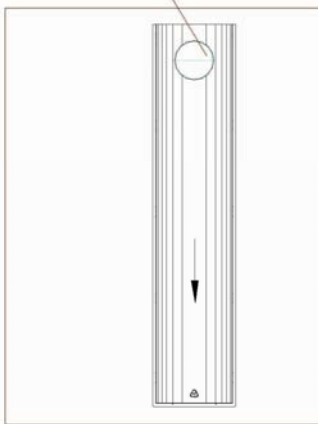
- Remove the plug and cut off power supply.
- Dismantle the lampshade rightwards, following the direction of the arrow. remove the lampshade
- Replace the lights by professionals

Refrigerator compartment



- Remove the plug and cut off power supply
- Dismantle the lampshade leftwards, following the direction of the arrow. Remove the lampshade.
- Unload the screw at the bottom of the lamp holder, and then replace the same specifications of the light bulbs.
- Follow these instructions in reverse to reassemble.
- Replace the lights by professionals

Cylindrical lights in Refrigerator Compartment



- Remove the plug and cut off power supply .
- Dismantle the lampshade downwards, following the direction of the arrow. Remove the lampshade.
- Unload the screw at the bottom of the lamp holder, and then replace the same specifications of the light bulbs.
- Follow these instructions in reverse to reassemble.
- Replace the lights by professionals.

WE RESERVE THE RIGHT TO ALTER THE SPECIFICATIONS WITH NO INFLUENCE ON THE OPERATION OF THE APPLIANCE.