



WMD1355WH

Caple Warming drawer 130mm

Technical information



Cople WMD1355WH warming drawer

Features

White glass

Fan heating

Push / pull opening

Dishes for a meal for 6 people take approx 2-4mins to heat up to 70°C

Extremely rigid to support the weight of an appliance on top

Maximum capacity 10kg or 6 dinner plates, 6 soup plates, 3 serving bowls and 2 platters

400W heating element with tangential fan

30-70°C adjustable thermostat

Smooth slide soft-close drawer runners

Attractive black interior glass base

Electrical connection

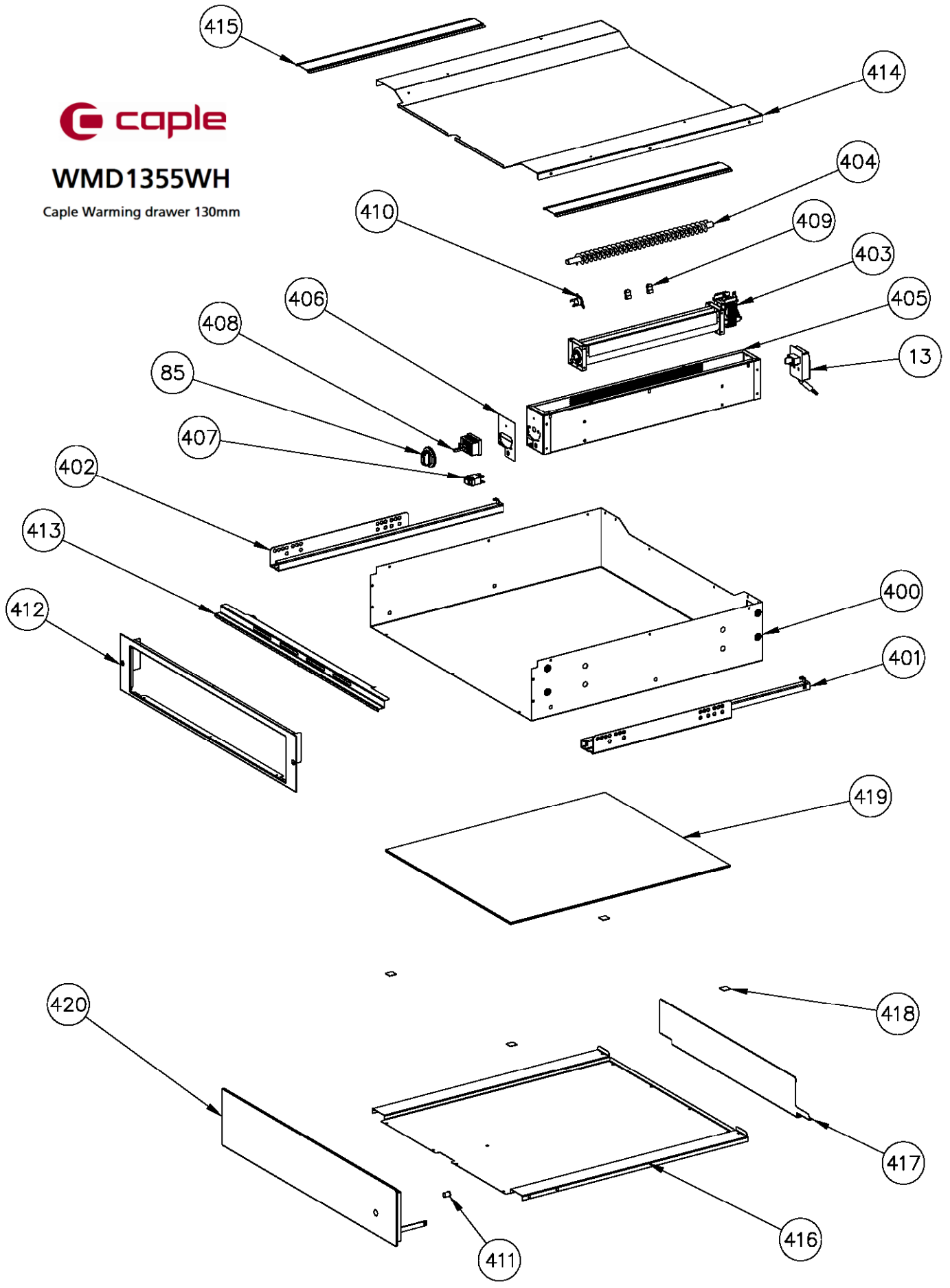
Rated load 0.40kW

Fuse rating 3A



WMD1355WH

Caple Warming drawer 130mm





WMD1355WH - Caple Warming drawer 130mm

Item	Part Code	Description
13	12530000	TERMINAL BLOCK/FASTEN CABLE 16A
85	11740430	BLACK KNOB TYPE D IND/WHT
400	12112060	DRAWER BOTTOM
401	12600260	RIGHT RUNNER DRAWER
402	12600270	LEFT RUNNER DRAWER
403	12590160	TANGENTIAL COOLING FAN
404	12570190	COIL HEATING ELEMENT 400W
405	12112750	DRAWER HEATING SHIELD
406	12011410	BADGE SERIGRAFY THERMOSTAT
407	12541280	DOUBLE POLES SWITCH
408	12541260	THERMOSTAT
409	12280370	SPRING FOR THERMOSTAT BULB
410	12541270	SAFETY THERMOSTAT PRESET T85 ϕ C
411	11543383	SATINY CLEAR LIGHT CAP
412	12112040	DRAWER FRONT FRAME
413	12112130	DRAWER TOP FRONT PROFILE
414	12112160	TOP SHIELD DRAWER
415	12112390	RISE PROFILE TOP SHIELD
416	12112140	DRAWER GLASS GROUND
417	12112050	DRAWER GROUND
418	12381020	RUBBER
419	12323490	GROUND BLACK GLASS
420	42715823	DRAWER FRONTAL GLASS