



SWMD1053

Caple Warming Drawer

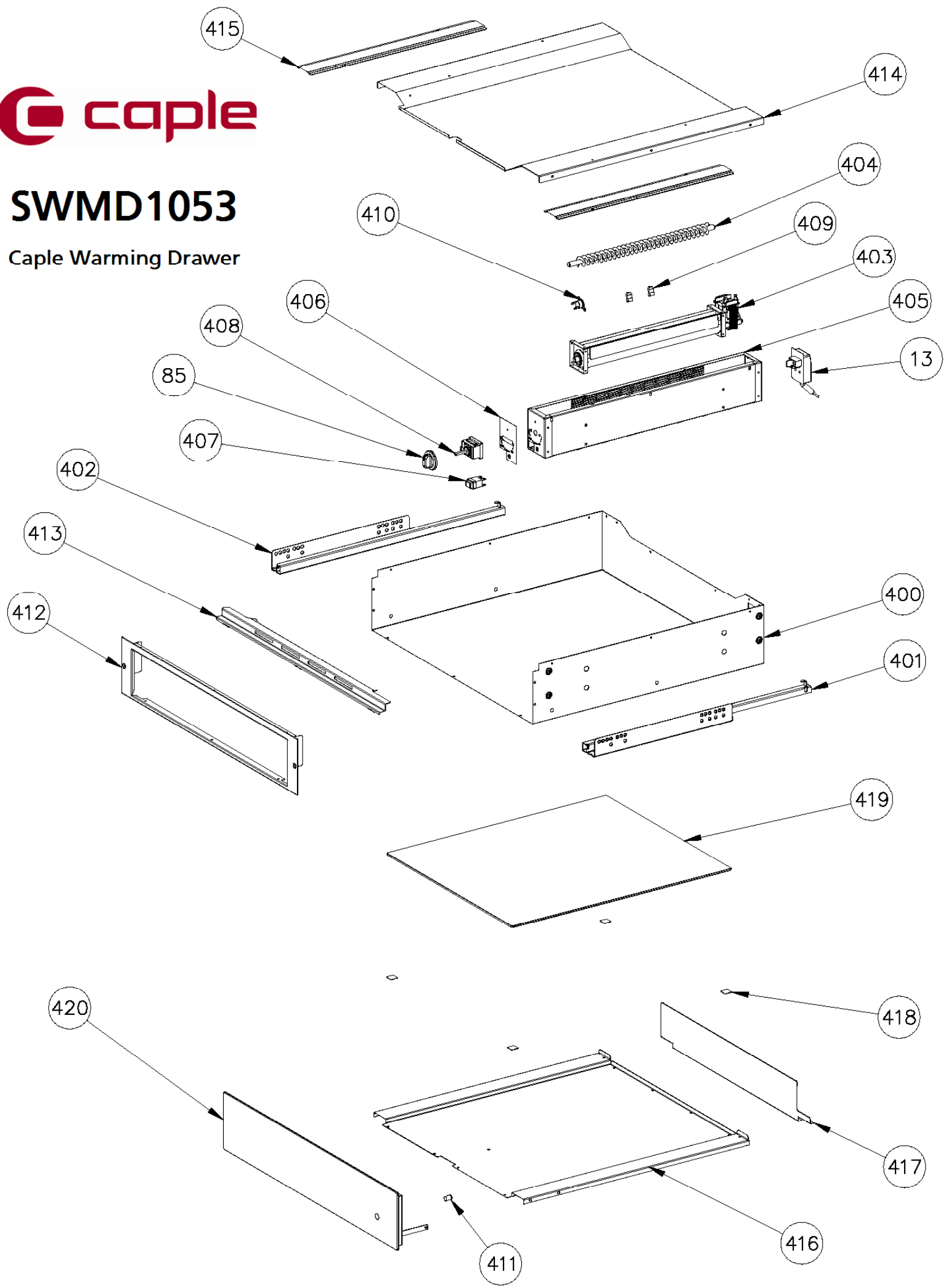


Technical information



SWMD1053

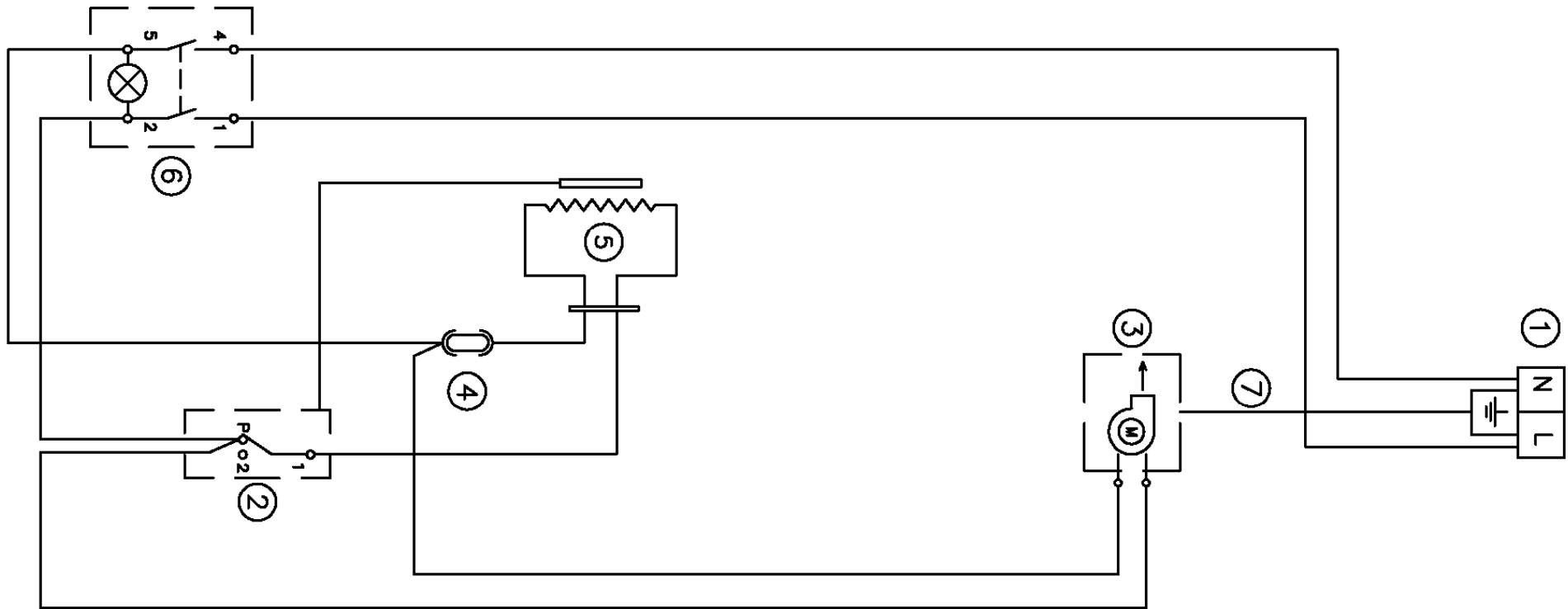
Cable Warming Drawer





SWMD1053 - Caple Warming Drawer

Item	Part Code	Description
13	12530000	TERMINAL BLOCK/FASTEN CABLE 16A
400	12112120	DRAWER BOTTOM
401	12600260	RIGHT RUNNER DRAWER
402	12600270	LEFT RUNNER DRAWER
403	12590160	COOLING FAN
404	12570190	COIL HEATING ELEMENT 400W
405	12112150	DRAWER HEATING SHIELD
406	12011410	BADGE SERIGRAFY THERMOSTAT
407	12541280	DOUBLE POLES SWITCH
408	12541260	THERMOSTAT
409	12280370	SPRING FOR THERMOSTAT BULB
410	12541270	SAFETY THERMOSTAT PRESET T85°C
411	11543383	SATINY CLEAR LIGHT CAP
412	12112100	DRAWER FRONT FRAME
413	12112130	DRAWER TOP FRONT PROFILE
414	12112160	TOP SHIELD DRAWER
415	12112190	RISE PROFILE TOP SHIELD
416	12112140	DRAWER GLASS GROUND
417	12112110	DRAWER GROUND
418	12381020	RUBBER
419	12323490	GROUND BLACK GLASS
420	42715597	DRAWER FRONTAL GLASS
85	11740430	BLACK KNOB TYPE D IND/WHT



LEGEND

- 1- Supply terminal
- 2- Thermostat start heating 2.541.26
- 3- Fan motor 2.590.16
- 4- Thermostat start 2.541.27
- 5- Heating element 2.570.19
- 6- Double pole illuminated push button switch 2.541.28
- 7- Earth fan motor



SWMD1053

Cagle Warming Drawer