



SO210SS

Caple Sense Premium Steam Oven Stainless Steel

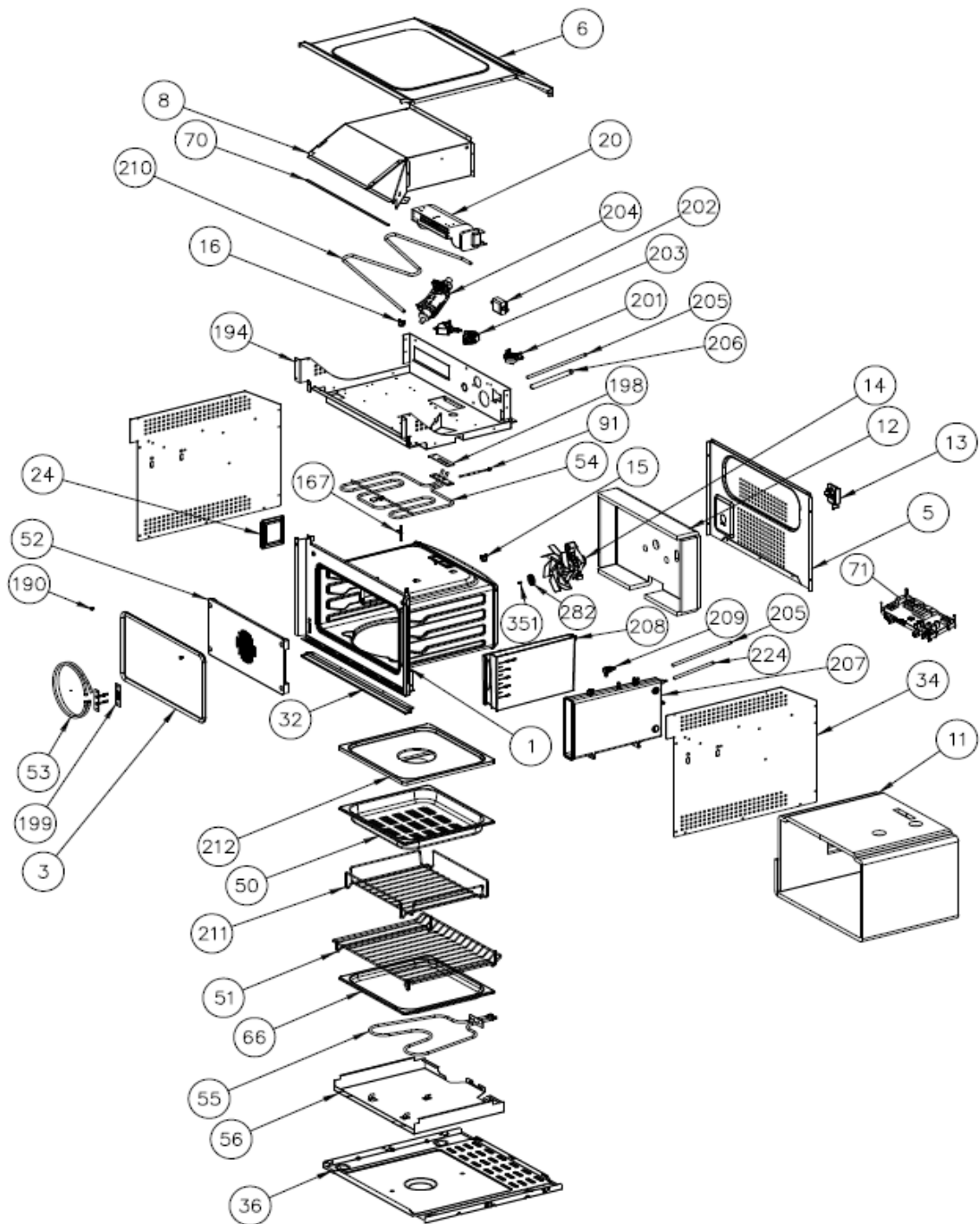


Technical Manual



SO210SS

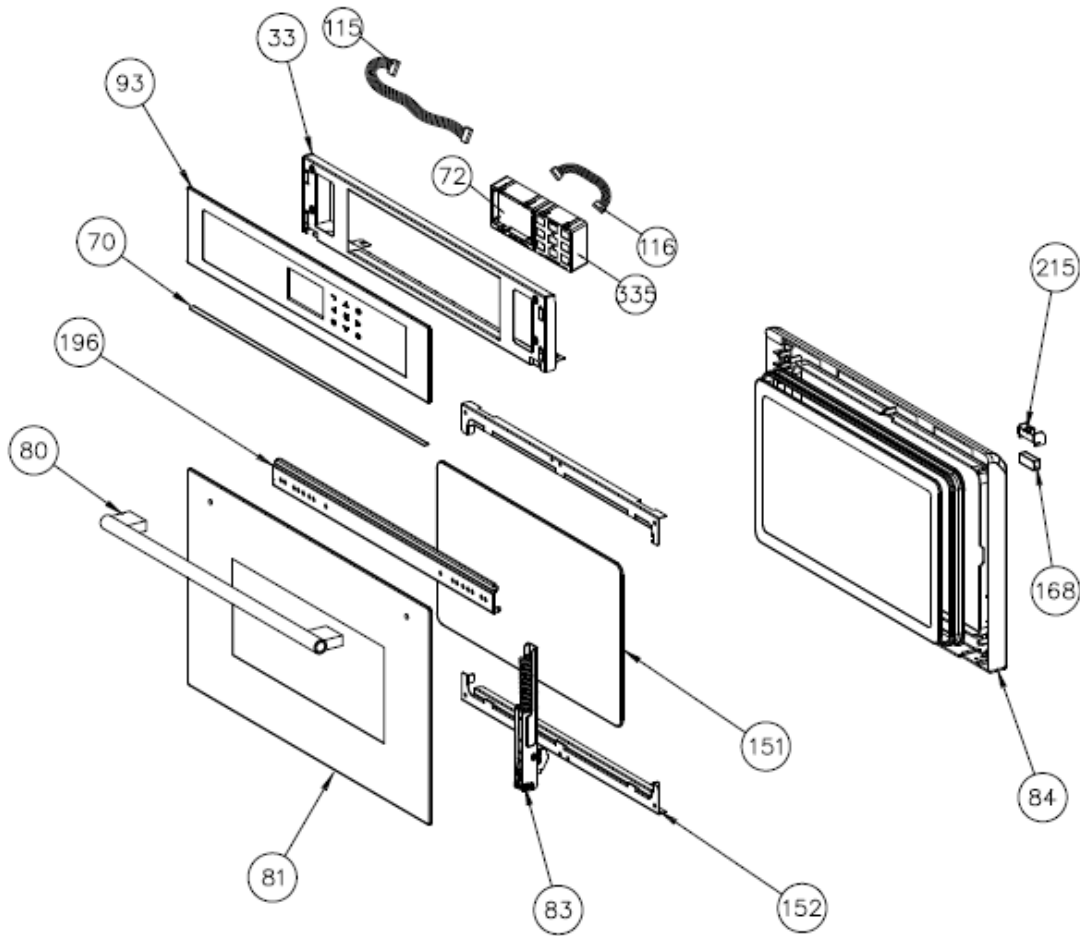
Cable Sense Premium Steam Oven Stainless Steel





SO210SS

Caple Sense Premium Steam Oven Stainless Steel





SO210SS

Caple Sense Premium Steam Oven Stainless Steel

Item	Part Number	Description	Quantity
1	42703630	MUFFLE	1
190	11380640	CAST IRON RUBBER GRILL	1
33	12112531	COUNTER FRONTAL	1
32	12192671	LOWER PROFILE F45N STEAM BLACK	1
3	12381190	MUFFLE GASKET	1
56	12193590	FASTENER BOTTOM HEATING ELEMENT	1
55	12570220	BOTTOM HEATING ELEMENT 300W	1
198	12381080	GRILL HEATING ELEMENT GASKET	1
54	12570210	GRILL HEATING ELEMENT 1500W	1
199	12381090	CIRCULAR HEATING ELEMENT GASKET	1
53	12570200	CIRCULAR HEATING ELEMENT 1500W	1
351	12382510	BUSHING FOR RUBBER RADIAL STEA	1
282	11381790	KNOB HOLE STUD	1
14	12590210	RADIAL FAN	1
24	12541330	HALOGEN RECTANGULAR LAMP	1
11	12381590	CERAMIC FIBER SHELL	1
12	12381180	CERAMIC FIBER REAR	1
194	12113590	COMPONENT SUPPORT	1
201	12541310	DETECTOR WATER FLOW	1
202	12541320	MAGNETIC ANTI-SCALE	1
203	42750311	WIRING PUMP + THERMAL PROTECTOR	1
204	42750518	STEAMER	1
205	12381160	SILICONE PIPE d.6X2MM	1
206	12381210	SILICONE PIPE d.10X3MM	1
207	12381100	TANK HOLDER	1
208	12382440	TANK	1
209	12381120	WATER EXIT CONNECTOR L SHAPED	1
224	12381460	SILICONE PIPE d.5X2MM	1
210	12280400	STEAM COOLING COIL	1
20	12590270	TANGENTIAL COOLING FAN	1
8	12701610	AIR CONVEYOR F45N STEAM	1



## SO210SS

### Caple Sense Premium Steam Oven Stainless Steel

Item	Part Number	Description	Quantity
70	12380950	ADHESIVE GASKET	1
167	12540980	MAGNETIC PROXIMITY SENSOR	1
116	12750499	FLAT 6V L210 MODULAR DISPLAY-KEYBOARD UL	1
115	12750502	FLAT 8V L800 MODULAR DISPLAY-POWER UL	1
16	12540945	SAFETY THERMOSTAT PRESET T90°C	1
15	12540941	SAFETY THERMOSTAT PRESET T140°C	1
91	12542240	NTC PROBE	1
71	12782123	POWER BOARD MASTER MODULAR"EU"	1
72	42783004	DISPLAY MODULAR	1
335	12542110	KEY BOARD MODULAR	1
93	42715997	FRONTAL GLASS	1
34	12112400	LEFT-RIGHT SIDE SHIELD	1
36	12111160	BOTTOM SHIELD	1
5	12111260	BACK SHIELD	1
6	12111170	TOP SHIELD	1
13	12530000	TERMINAL BLOCK/FASTEN CABLE 16A	1
168	12280320	MAGNET FOR PROXIMITY SENSOR	1
215	12192980	FIXING BRACKET FOR MAGNET	1
151	12323500	3rd INNER GLASS THERMO REFLECTIVE	1
152	12193200	3rd GLASS FIXING PROFILE	1
84	42710800	INNER DOOR	1
83	12600290	DOOR HINGE	1
81	42713329	GLASS DOOR	1
196	12193250	INNER DOOR HANDLE PROFILE	1
80	12740600	HANDLE SENSEHAN1 MAURICE LAY	1
52	12105350	FAN COVER	1
51	12200470	SHELF	1
211	12200370	REMOVABLE SHELF FOR GASTRONORM TRAY	1
66	12105500	TRAY H20 INOX GN2/3 F45N	1
50	12105360	TRAY H40	1
212	12105400	STEEL LID FOR GASTRONORM TRAY	1