



C4360

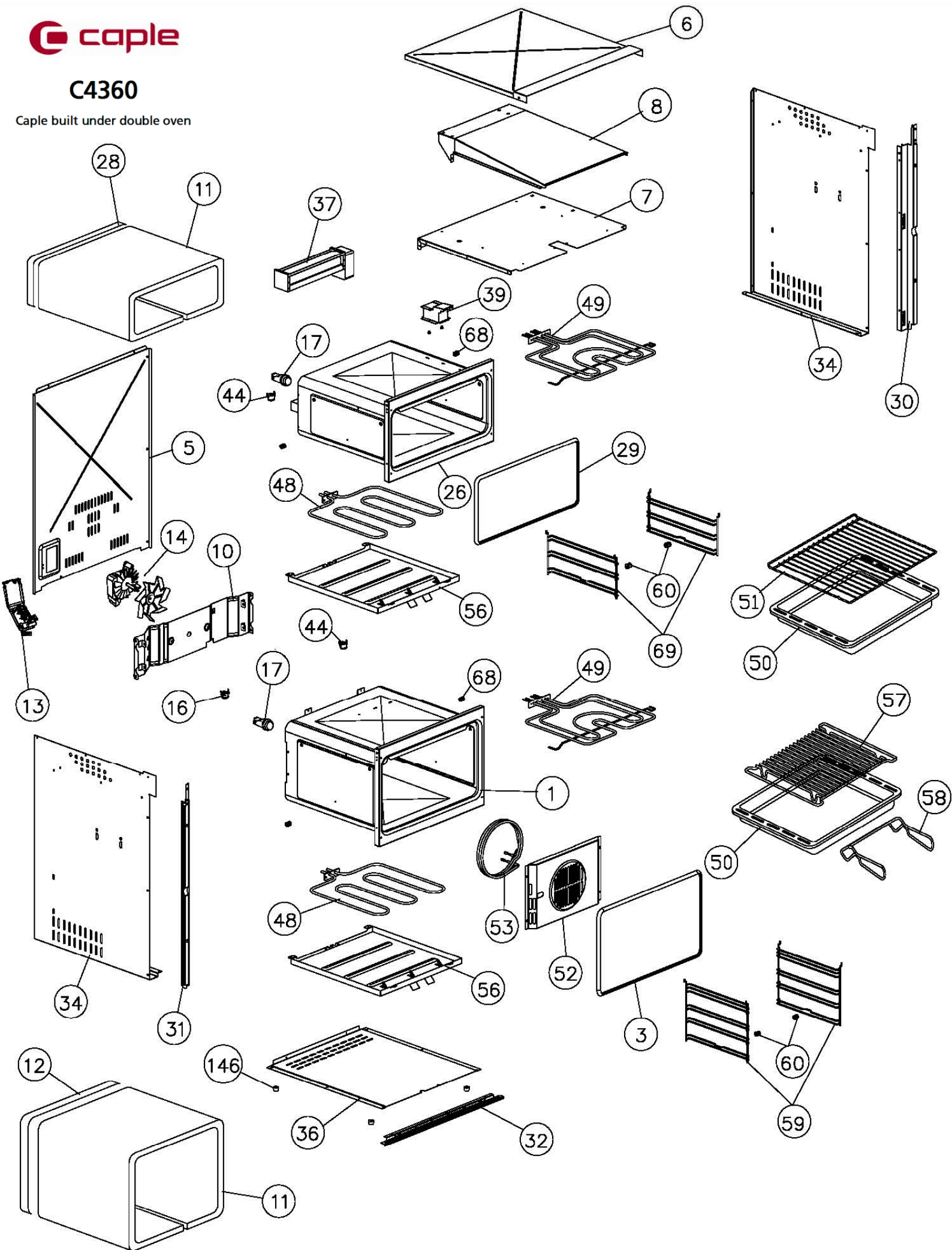
Caple built under double oven

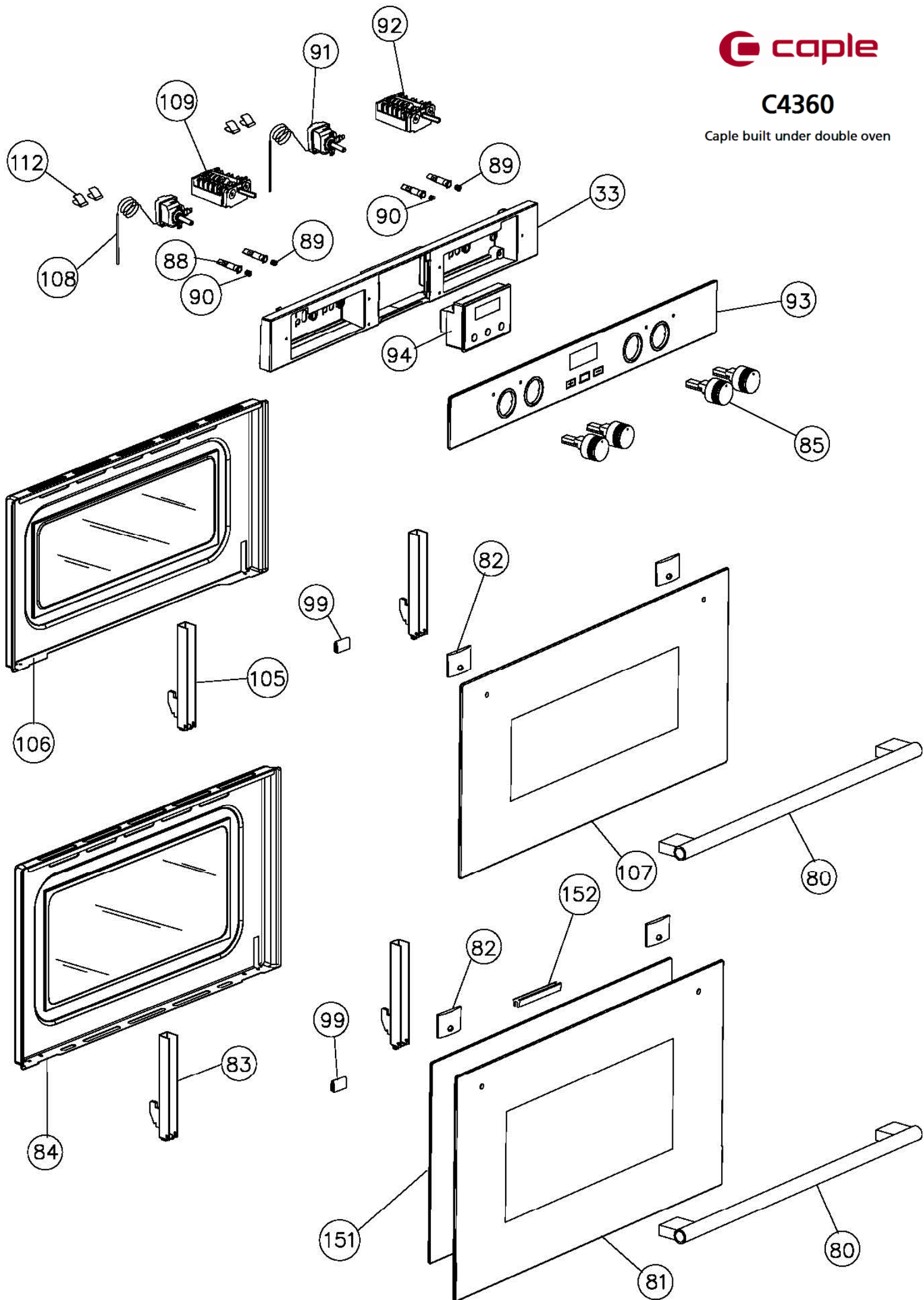


Technical information

C4360

Caple built under double oven







C4360 - Caple built under double oven

Item	Part Code	Description
1	42700353	MUFFLE
3	12380460	MUFFLE GASKET
5	12111250	BACK SHIELD
6	12111170	TOP SHIELD
7a	12111220	LOWER AIR CONVEYOR (until 27/09/15)
7b	12113440	LOWER AIR CONVEYOR (from 28/09/15)
8a	12111210	UPPER AIR CONVEYOR (until 16/02/09)
8b	12111380	UPPER AIR CONVEYOR (from 17/02/09)
10a	12190020	SUPPORT BAR (until 23/03/11)
10b	12192660	SUPPORT BAR (from 24/03/11)
12	12380190	FIBERGLASS REAR
13a	12530010	TERMINAL BLOCK/FASTEN CABLE 40A (until 31/12/11)
13b	12750076	TERMINAL BLOCK/FASTEN CABLE 40A (from 01/01/12)
14a	12590030	RADIAL FAN (until 09/10/11)
14b	12590190	RADIAL FAN (from 10/10/11)
15	12540360	SAFETY THERMOSTAT PRESET T165°C (until 29/01/07)
16a	12540150	SAFETY THERMOSTAT PRESET T65°C (until 12/10/08)
16b	12540930	SAFETY THERMOSTAT PRESET T65°C (from 13/10/08)
17a	12540002	LAMP SOCKET 25W T300 230/240V (until 26/07/15)
17b	12541980	HALOGEN LAMP SOCKET 25W 230V (from 27/07/15)
20	12590090	COOLING FAN
26	42700233	MUFFLE
27	12380180	FIBERGLASS SHELL
28	12380170	FIBERGLASS REAR
29	12380570	MUFFLE GASKET
30a	12701341	BODY CENTRE PILLAR (until 02/06/09)
30b	12701441	BODY CENTER PILLAR (from 03/06/09)
31a	12701331	BODY CENTRE PILLAR (until 02/06/09)
31b	12701431	BODY CENTER PILLAR (from 03/06/09)
32a	12191651	LOWER PROFILE DRIP D72 BLACK (until 26/04/09)
32b	12111231	LOWER PROFILE DRIP D72-88 BLACK (from 27/04/09)
33a	12701391	COUNTER FRONTAL (until 11/05/09)
33b	12111561	COUNTER FRONTAL (from 12/05/09)
34	12111240	LEFT-RIGHT SIDE SHIELD
36	12111160	BOTTOM SHIELD
39	12701010	EXHAUSTING GAS CHIMNEY
44a	12540340	SAFETY THERMOSTAT PRESET T185°C (until 29/01/07)
44b	12540340	SAFETY THERMOSTAT PRESET T185°C (from 30/01/07 until 15/04/09)
44c	12540942	SAFETY THERMOSTAT PRESET T185°C (from 16/04/09)
48a	12570080	BOTTOM HEATING ELEMENT 850W (until 05/07/15)
48b	12570392	BOTTOM HEATING ELEMENT 850W (from 06/07/15)
48c	12570080	BOTTOM HEATING ELEMENT 850W (until 05/07/15)
48d	12570392	BOTTOM HEATING ELEMENT 850W (from 06/07/15)
49a	12570050	UPPER HEATING ELEMENT 750/1000W



C4360 - Caple built under double oven

Item	Part Code	Description
49b	12570050	UPPER HEATING ELEMENT 750/1000W
50a	42105125	*TRAY F60 H30 WHITE SPOTTED BLACK ENAMEL (until 15/06/11)
50b	42105295	TRAY F60 H30 WHITE SPOTTED BLACK ENAMEL (from 16/06/11)
51	12200230	SHELF
52	42105134	FAN COVER
53	12570032	CIRCULAR HEATING ELEMENT 1800W
56a	12190030	FASTENER BOTTOM HEATING ELEMENT (until 23/06/15)
56b	12194240	FASTENER BOTTOM HEATING ELEMENT (from 24/06/15)
56c	12190030	FASTENER BOTTOM HEATING ELEMENT (until 23/06/15)
56d	12194240	FASTENER BOTTOM HEATING ELEMENT (from 24/06/15)
57	12200090	GRILL PAN SHELF
58a	12200100	DOUBLE HANDLE GRILL PAN (until 21/10/12)
58b	12200450	DOUBLE HANDLE GRILL PAN (from 22/10/12)
59	12200110	SMOOTH SIDE OVEN's SIDE RACK
60	12280020	PAWL FOR LAT.PAN SUPPORT
68	12280090	GRILL HEATING ELEMENT FASTENER
69	12200080	SMOOTH SIDE OVEN's SIDE RACK
80a	12740440	HANDLE MOD115 (until 21/06/10)
80b	12740600	HANDLE SENSEHAN1 MAURICE LAY (from 22/06/10)
81	42712529	GLASS DOOR
82	12190140	PLAQUE FIX.HANDLE BLACK
83	12600160	OVEN HINGE
84	42710311	INNER DOOR
85	12300391	KNOB
88	12540120	INDICATOR LAMP
89a	11540420	RED LIGHT CAP (until 04/10/09)
89b	11543380	SATINY RED LIGHT CAP (from 05/10/09)
90a	11540422	ORANGE LIGHT CAP (until 21/09/09)
90b	11543382	SATINY ORANGE LIGHT CAP (from 22/09/09)
91a	12540310	THERMOSTAT (until 13/04/09)
91b	12541080	THERMOSTAT (from 14/04/09)
92	12540260	COMMUTATOR
93	42715389	FRONTAL GLASS
94	12540802	BLU ELECTRONIC TIMER TOUCH
99a	12380500	RUBBER FOOT FOR HINGE (until 15/03/09)
99b	12380650	RUBBER FOOT FOR HINGE (from 16/03/09)
105	12600050	D.2,5 EST.D.14 OVEN HINGE
106	42710301	INNER DOOR
107	42712528	GLASS DOOR
108a	12540070	THERMOSTAT (until 13/04/09)
108b	12541090	THERMOSTAT (from 14/04/09)
109	12540240	COMMUTATOR
112	12280221	SPRING FOR THERMOSTAT BULB
151	12321222	3rd INNER GLASS THERMO REFLECTIVE
152	12191370	3rd GLASS FRAME FASTENER INOX

