



C4244

Caple Built Under Double Fan Oven



TECHNICAL INFORMATION



C4244 - Caple Built Under Double Fan Oven

New product information sheet

Product name: C4244

Description: Double built under oven

Product code: C4244

Top oven features

4 Functions:

Energy B

- *light*

- *base heat*

- *conventional heat*

- *full grill*

33 Litre capacity

Bottom oven features

4 Functions:

Energy A

- *light*

- *fan heat*

- *full grill*

- *turbo defrost*

42 Litre capacity

Programmable electronic timer

Self-cleaning catalytic liners available

General features

Stainless steel and glass

Closed door grilling

Tangential cooling fan

Smooth and flat oven sides with chrome shelf racks

Double glazed doors with heat reflective glass

Rear interior lights





C4244 - Caple Built Under Double Fan Oven

New product information sheet

Product name: C4244

Description: Double built under oven

Product code: C4244

Accessories

1 Safety-stop shelf in top oven

1 Safety-stop shelf in bottom oven

1 Grill pan with handle

1 Enamelled baking tray

Dual position telescopic shelving racks

available for top and bottom ovens

Electrical connection

Rated load 3.75kW

Fuse rating 20A

Optional extras

Side and rear catalytic liners

for bottom oven CAPCAT7

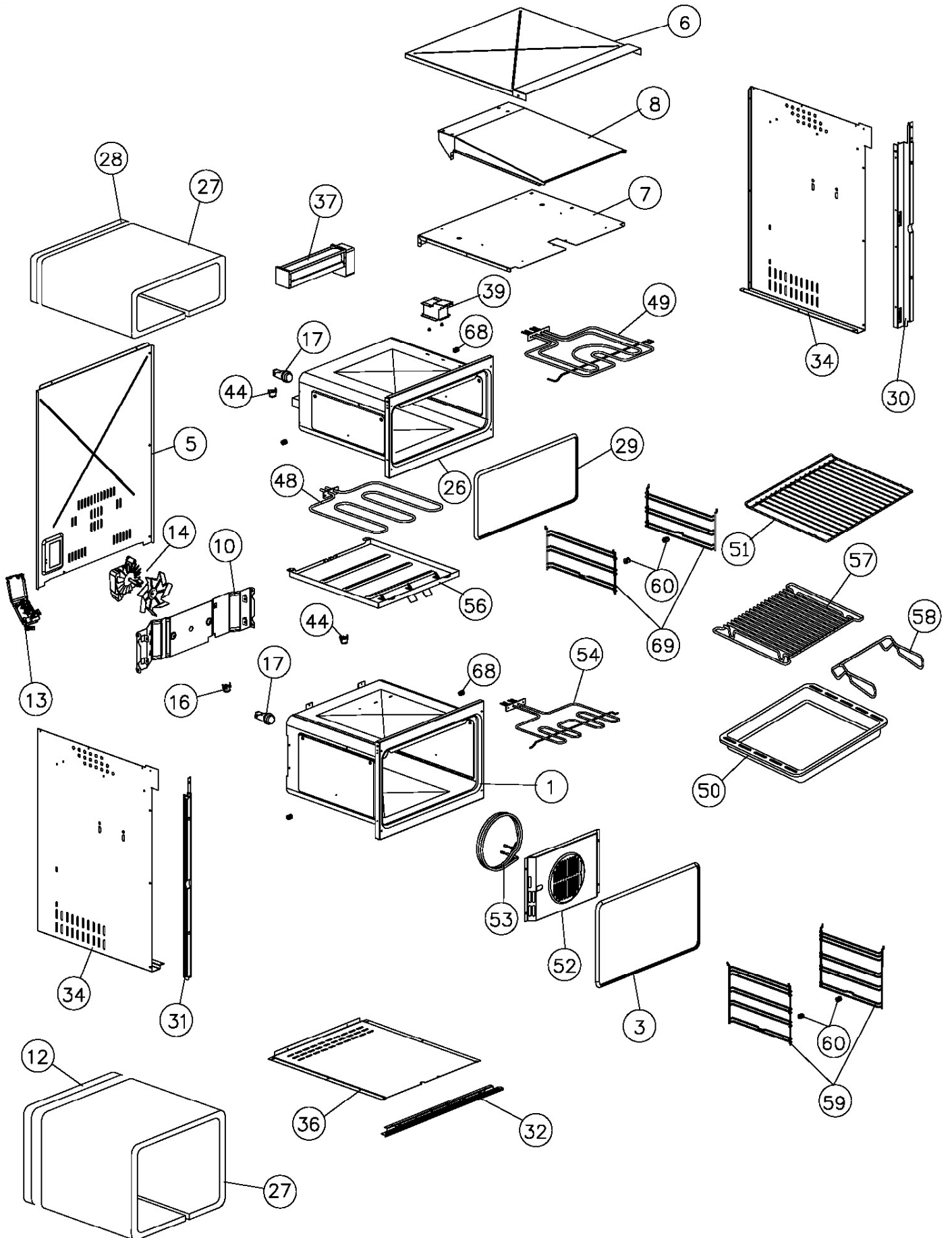
Multiple position telescopic shelving

racks for top and bottom ovens CAPRACK2



C4244

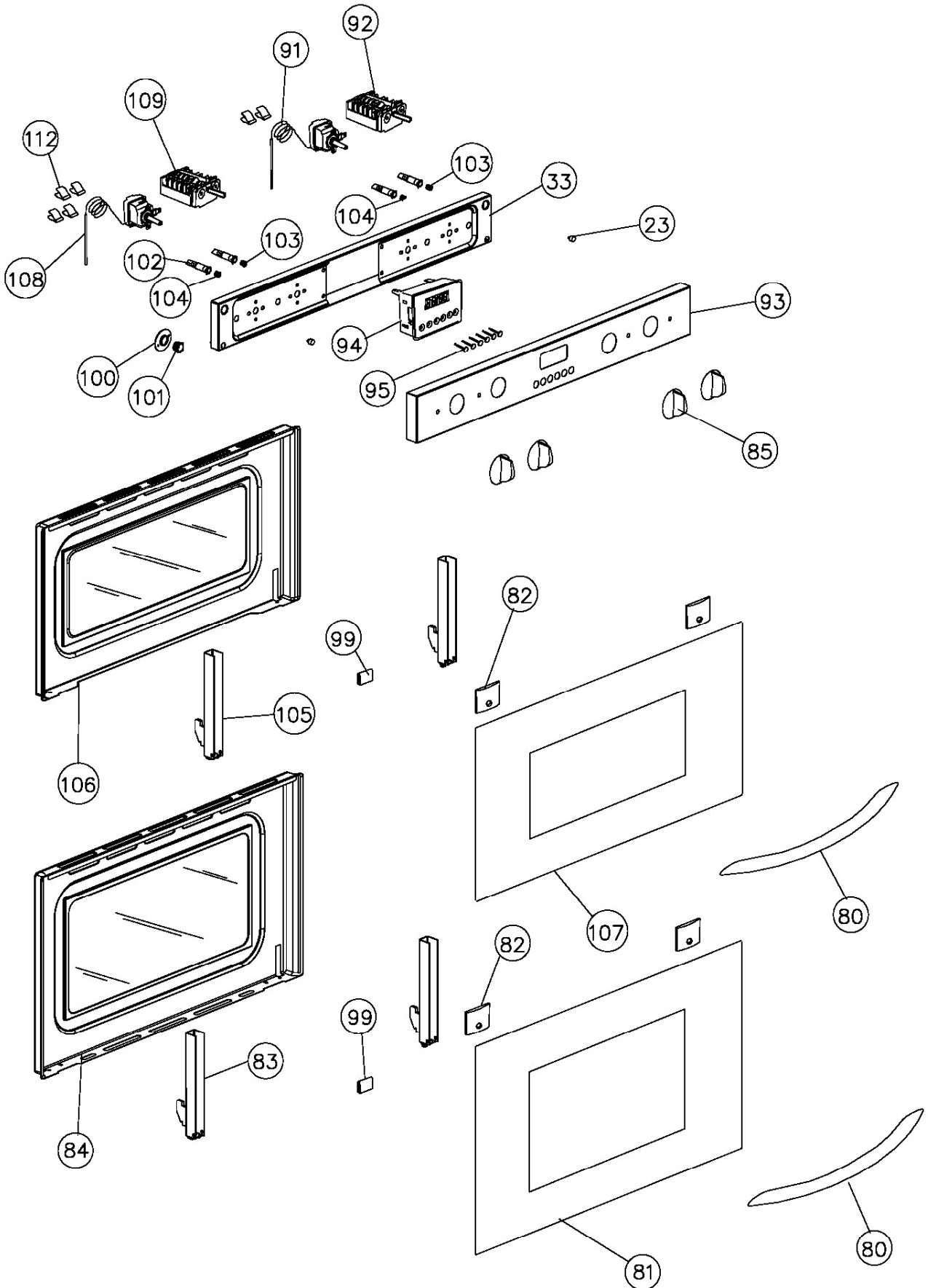
Caple Built Under Double Fan Oven





C4244

Caple Built Under Double Fan Oven





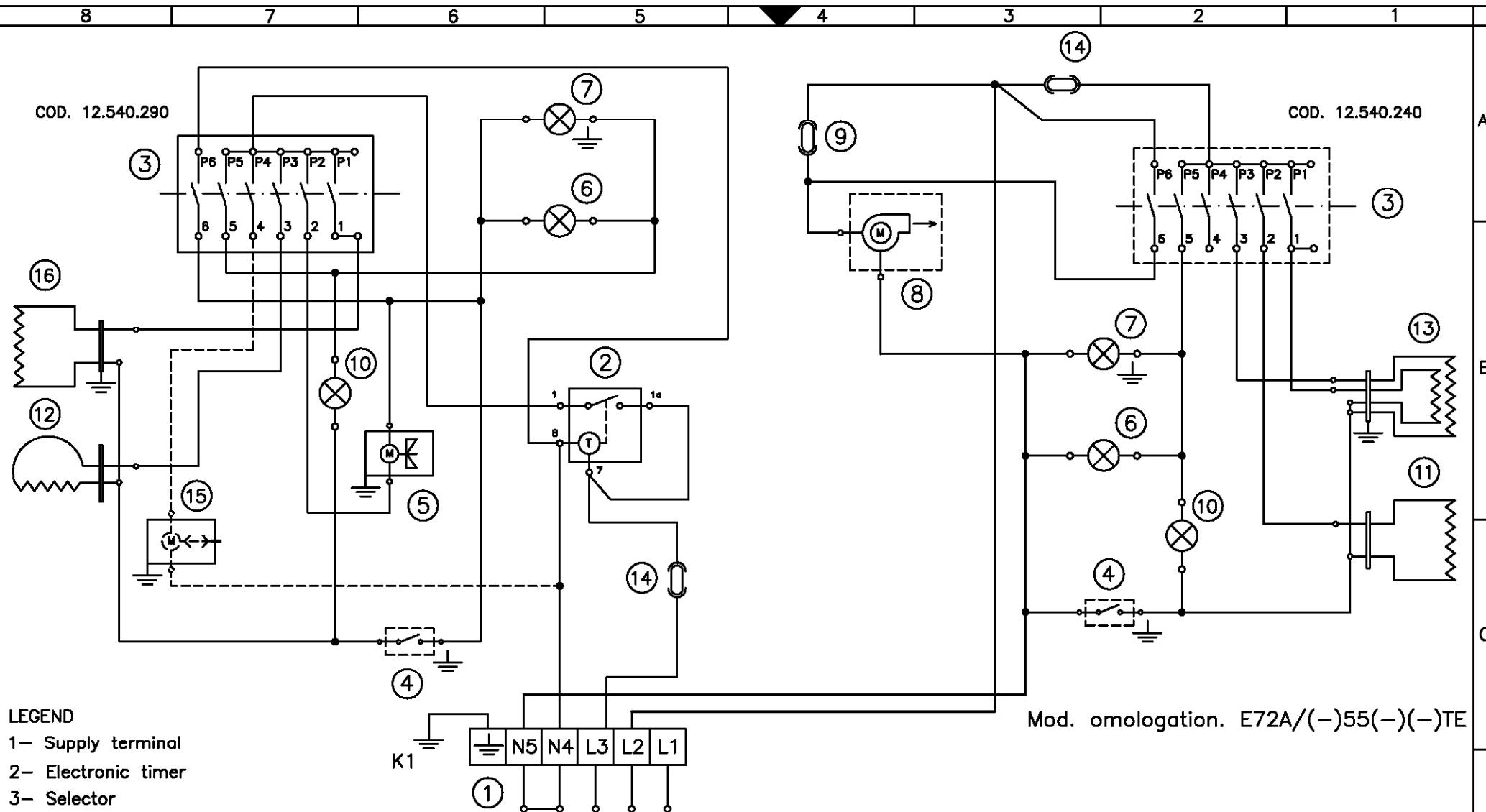
C4244 - Caple double oven

Item	Part Code	Description
1	42700351	MUFFLE
3	12380200	MUFFLE GASKET
5	12111250	BACK SHIELD
6	12111170	TOP SHIELD
7a	12111220	LOWER AIR CONVEYOR (until 27/09/15)
7b	12113440	LOWER AIR CONVEYOR (from 28/09/15)
8	12111380	UPPER AIR CONVEYOR
10a	12190020	SUPPORT BAR (until 23/03/11)
10b	12192660	SUPPORT BAR (from 24/03/11)
12	12380190	FIBERGLASS REAR
13a	12530010	TERMINAL BLOCK/FASTEN CABLE 40A (until 31/12/11)
13b	12750076	TERMINAL BLOCK/FASTEN CABLE 40A (from 01/01/12)
14a	12590030	RADIAL FAN (until 09/10/11)
14b	12590190	RADIAL FAN (from 10/10/11)
16	12540930	SAFETY THERMOSTAT PRESET T65°C
17a	12540002	LAMP SOCKET 25W T300 230/240V (until 26/07/15)
17b	12541980	HALOGEN LAMP SOCKET 25W 230V (from 27/07/15)
23	11380500	EPDM H.6 CRYSTAL SPACER
26	42700231	MUFFLE
27	12380180	FIBERGLASS SHELL
28	12380170	FIBERGLASS REAR
29	12380160	MUFFLE GASKET
30	12701441	BODY CENTER PILLAR
31	12701431	BODY CENTER PILLAR
32	12111231	LOWER DRIP PROFILE D72-88 BLACK
33a	12701091	COUNTER FRONTAL (until 31/12/11)
33b	12111521	COUNTER FRONTAL (from 01/01/12)
34	12111240	LEFT-RIGHT SIDE SHIELD
36	12111160	BOTTOM SHIELD
37a	12590100	TANGENTIAL COOLING FAN (until 31/12/08)
37b	12590090	TANGENTIAL COOLING FAN (from 01/01/09)
39	12701010	EXAUSTING GAS CHIMNEY
44	12540942	SAFETY THERMOSTAT PRESET T185°C
48a	12570080	BOTTOM HEATING ELEMENT 850W (until 05/07/15)
48b	12570392	BOTTOM HEATING ELEMENT 850W (from 06/07/15)
49	12570050	UPPER HEATING ELEMENT 750/1000W
50a	42105121	*TRAY F60 H30 BLACK (until 03/02/11)
50b	42105291	TRAY F60 H30 BLACK (from 04/02/11)
51	12200230	SHELF
52	42105131	FAN COVER
53	12570032	CIRCULAR HEATING ELEMENT 1800W
54	12570060	GRILL HEATING ELEMENT 2000W
56a	12190030	FASTENER BOTTOM HEATING ELEMENT (until 23/06/15)
56b	12194240	FASTENER BOTTOM HEATING ELEMENT (from 24/06/15)



C4244 - Caple double oven

Item	Part Code	Description
57	12200090	GRILL PAN SHELF
58a	12200100	DOUBLE HANDLE GRILL PAN (until 21/10/12)
58b	12200450	DOUBLE HANDLE GRILL PAN (from 22/10/12)
59	12200110	OVEN's SIDE RACK
60	12280020	PAWL FOR SIDE RACK
68	12280090	GRILL HEATING ELEMENT FASTENER
69	12200080	OVEN's SIDE RACK
80	12740600	HANDLE SENSEHAN1 MAURICE LAY
81	42712763	GLASS DOOR
82	12190140	PLAQUE FIX.HANDLE BLACK
83	12600070	OVEN HINGE
84	42710490	INNER DOOR
85	11741801	KNOB
91	12541080	THERMOSTAT
92	12540290	COMMUTATOR
93	12161710	CONTROL PANEL
94a	12540425	ELECTRONIC TIMER GREEN (until 31/05/12)
94b	12541535	ELECTRONIC TIMER GREEN (from 01/06/12)
95a	12300003	BUTTON ELECTRONIC TIMER (until 31/05/12)
95b	12300843	BUTTON ELECTRONIC TIMER (from 01/06/12)
99	12380650	RUBBER FOOT FOR HINGE
100	12280030	FLANGE FIX.GLASS
101	12280040	NUT FOR FLANGE H9
102	12540130	INDICATOR LAMP
103	12540140	RED LIGHT CAP
104	12540142	ORANGE LIGHT CAP
105	12600050	D.2,5 EST.D.14 OVEN HINGE
106	42710480	INNER DOOR
107	42712761	GLASS DOOR
108	12541090	THERMOSTAT
109	12540240	COMMUTATOR
112	12280221	SPRING FOR THERMOSTAT BULB



LEGEND

- 1- Supply terminal
 - 2- Electronic timer
 - 3- Selector
 - 4- Oven thermostat
 - 5- Fan motor
 - 6- Pilot lamp selector
 - 7- Oven light
 - 8- Cooling fan motor
 - 9- Thermostat start cooling fan
 - 10- Pilot lamp thermostat
 - 11- Bottom heating element
 - 12- Circular heating element
 - 13- Upper+grill heating element
 - 14- Thermal cut-out
 - 15- Rotating spit motor (optional)
 - 16- Grill heating element
-
- K1- Earth appliance
 - K2- Earth fan motor
 - K3- Earth rotating spit motor(Optional)
 - K4- Earth upper heating element
 - K5- Earth lamp holder
 - K6- Earth thermostat

Mod. omologation. E72A/(-)55(-)(-)TE



C4244

Capele Built Under Double Oven