

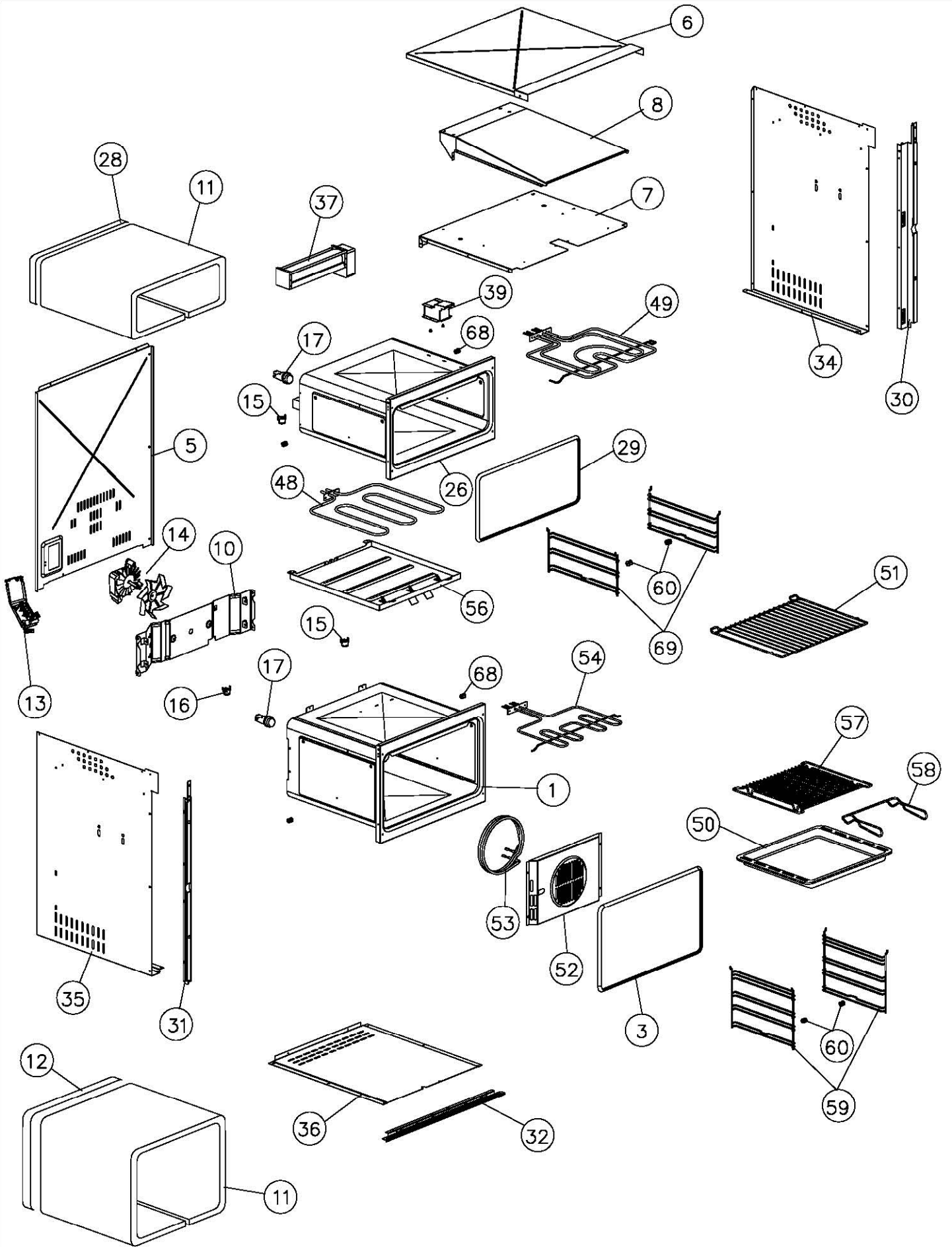


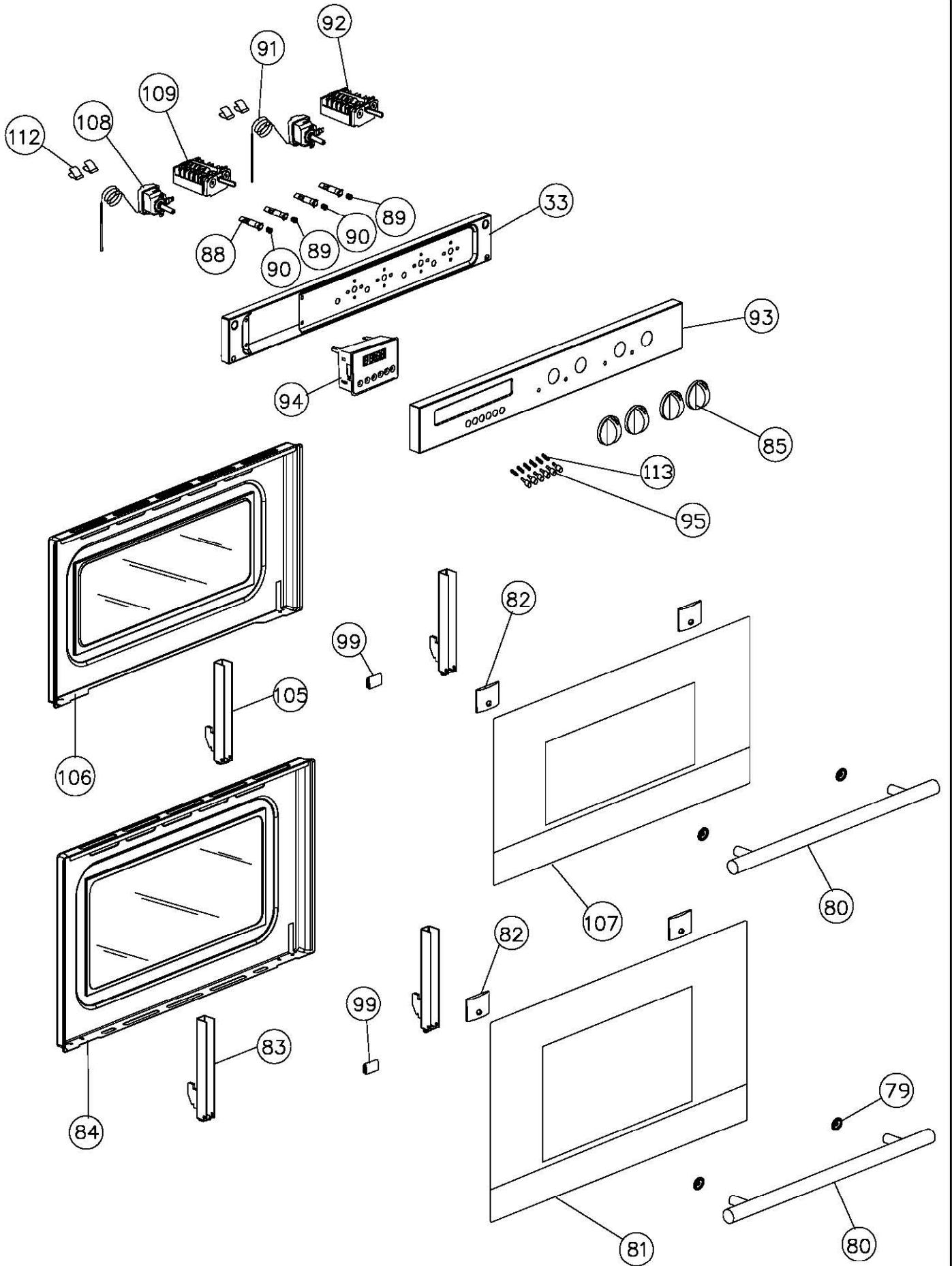
C4241SS

**Caple Built Under Double
Fan Oven - Stainless Steel**



TECHNICAL INFORMATION





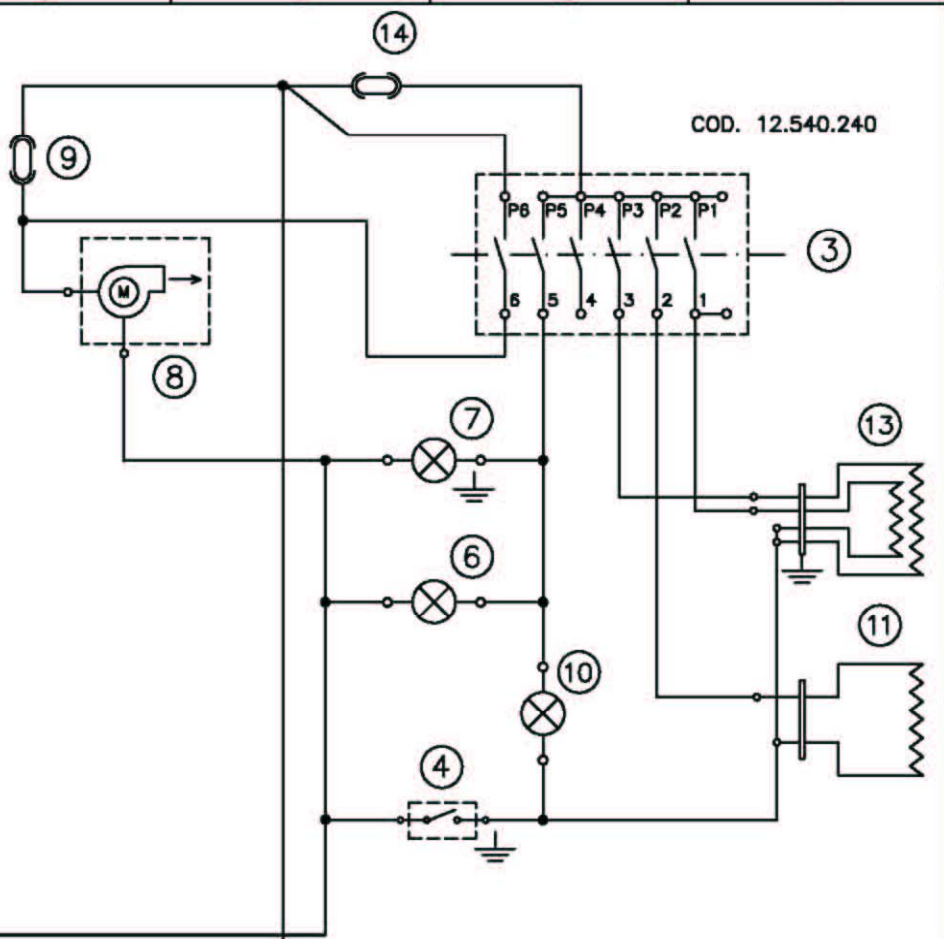
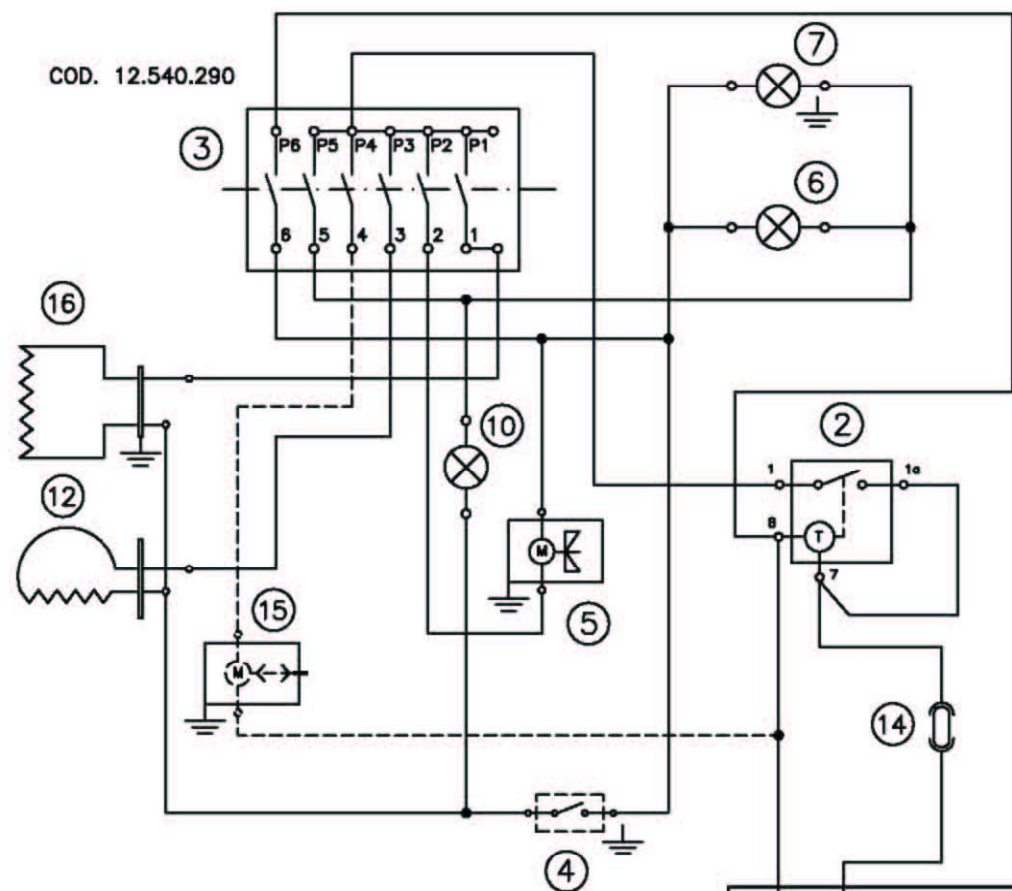
MODEL C4241SS SPARE PARTS LIST

<u>EXPLODED</u>	<u>PART NUMBER</u>	<u>DESCRIPTION</u>
<u>DGRM. NO</u>		
1	42700351	OVEN CUBE F34 MF LAMP LEFT SMOOTH BLACK
3	12380200	OVEN TRIM 4 SIDES F34
5	12110330	REAR INSULATION D72
6	12110890	TOP INSULATION D72.G
7	12110830	LOWER COOLING FAN F45/D72
8	12110820	UPPER COOLING FAN F45/D72
10	12190020	CROSSPIECE FOR FAN/ROTISSERIE
11	12380180	WHITE FIBREGLASS COVER
12	12380190	WHITE FIBREGLASS REAR F34
13	12530010	TERMINAL BLOCK + CABLE 40A
14	12590030	FAN Fe30W
15	12540340	SAFETY THERMOSTAT
16	12540150	SAFETY THERMOSTAT
17	12540002	LAMP HOLDER 25W
26	42700231	OVEN CUBE F12 STATIC LAMP LEFT SMOOTH BLACK
28	12380170	WHITE FIBREGLASS REAR F12
29	12380160	OVEN TRIM 4 SIDES HALF OVEN
30	12701341	UPRIGHT RIGHT D72 BLACK
31	12701331	UPRIGHT LEFT D72 BLACK
32	12191651	LOWER PROFILE DRIP CATCHER BLACK
33	12701241	CONTROL PANEL D72 BLACK
34	12110870	RIGHT SIDE INSULATION D72.G
35	12110880	LEFT SIDE INSULATION D72.G
36	12110160	BASE INSULATION D72-88
37	12590100	TANGENTIAL FAN
39	12701010	SMOKE VENT F12
48	12570080	BASE ELEMENT 850W
49	12570050	DOUBLE ELEMENT 750/1000W
50	42105121	BAKING TRAY F60 H30 BLACK
51	12200230	SHELF F60 SMOOTH OVE CUBE
52	42105131	FAN COVER BLACK F34
53	12570032	CIRCULAR ELEMENT 1800W
54	12570060	GRILL ELEMENT 2000W
56	12190030	BASE ELEMENT SUPPORT
57	12200090	GRILL PAN + FEET
58	12200100	HANDLE FOR DOUBLE GRILL PAN
59	12200110	LATERAL SHELF SUPPORT F34 RIGHT/LEFT
60	12280020	CATCH FOR LATERAL SHELVES
68	12280090	CATCH FOR GRILL ELEMENT
69	12200080	LATERAL SHELF SUPPORT F12 RIGHT/LEFT
79	12280284	METAL RING FOR HANDLE 111 BRUSHED STST
80	12220083	HANDLE 111 I280 BRUSHED STST
81	42712527	OVEN DOOR BLACK GLASS/STST I280 H329 CAPLE
82	12190140	BLACK HANDLE FIXING PLATE
83	12600070	OVEN HINGE
84	42710130	INNER DOOR F34 NO FAN BLACK + THERMAL SCREWS
85	11741801	KNOB BRUSHED STST TYPE H
88	12540120	INDICATOR LAMP NEON
89	11540420	RED BUTTON



MODEL C4241SS SPARE PARTS LIST

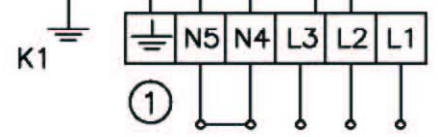
<u>EXPLODED</u>	<u>PART NUMBER</u>	<u>DESCRIPTION</u>
<u>DGRM. NO</u>		
90	11540422	ORANGE BUTTON
91	12540310	THERMOSTAT 1 BULB
92	12540290	COMMUTATOR FAN 5F SAFETY
93	42715386	OVEN DOOR SV55E BLACK GLASS/STST NEUTRAL
94	12540425	ELECTRONIC TIMER 6 BUTTON GREEN
95	12300113	PUSH BUTTON H21 STST
99	12380090	RUBBER FOOT FOR HINGE
105	12600050	OVEN HINGE
106	42710110	INNER DOOR F12 BLACK + THERMAL SCREWS
107	42712524	OVEN DOOR BLACK GLASS/STST I280 H286 SING NEUTRAL
108	12540070	THERMOSTAT 1 BULB
109	12540240	COMMUTATOR 5F
112	12280221	BULB HOLDER
113	12280150	SPRING FOR PUSH BUTTON



Mod. omologation. E72A/(-)55(-)(-)TE

LEGEND

- 1- Supply terminal
- 2- Electronic timer
- 3- Selector
- 4- Oven thermostat
- 5- Fan motor
- 6- Pilot lamp selector
- 7- Oven light
- 8- Cooling fan motor
- 9- Thermostat start cooling fan
- 10- Pilot lamp thermostat
- 11- Bottom heating element
- 12- Circular heating element
- 13- Upper+grill heating element
- 14- Thermal cut-out
- 15- Rotating spit motor (optional)
- 16- Grill heating element
- K1- Earth appliance
- K2- Earth fan motor
- K3- Earth rotating spit motor(Optional)
- K4- Earth upper heating element
- K5- Earth lamp holder
- K6- Earth thermostat



C4241SS

Cable Built Under Double Fan Oven Stainless Steel