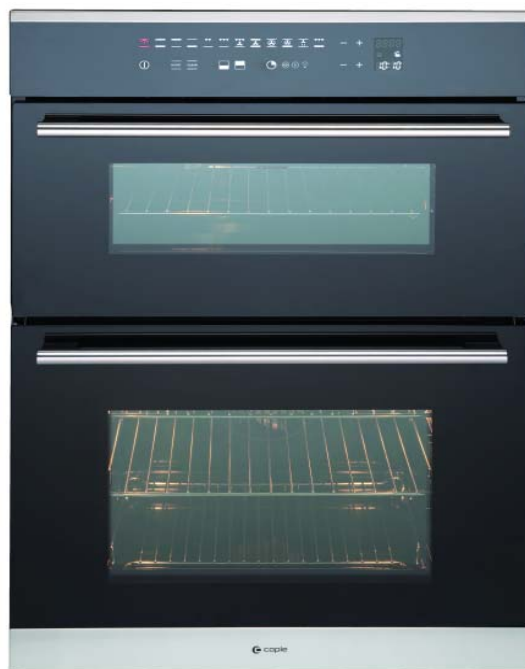




C3370

Caple Built-In Multifunction Double Oven



Technical information



New product information sheet

Product name: C3370
Description: Caple Built-In Multifunction Double Oven
Product code: C3370

Top oven features

Energy B

4 Functions:

- *light*
- *base heat*
- *conventional heat*
- *full grill*

33 Litre capacity

Double glazed door with heat reflective glass

Bottom oven features

Energy A

14 Functions:

- *light*
- *conventional heat*
- *top heat*
- *base heat*
- *eco grill*
- *full grill*
- *turbo grill*
- *turbo conventional heat*
- *fan heat*
- *base plus fan heat*
- *turbo defrost*
- *grill plus base heat*
- *boost*
- *clean*

58 Litre capacity

Touch-screen programmable electronic timer

Triple glazed door with heat reflective glass

Self-cleaning catalytic liners available





New product information sheet

Product name: C3370
Description: Caple Built-In Multifunction Double Oven
Product code: C3370

General features

- Stainless steel and glass
- Black-spot Sense feature bar handle
- White spotted easy-to-clean enamel interior
- Closed door grilling
- Tangential cooling fan
- Smooth and flat oven sides with chrome shelf racks
- Full width sealed inner door glass
- 2 Side interior lights on bottom oven, 1 rear light in top oven.

Accessories

- 1 Safety-stop shelf in top oven
- 2 Safety-stop shelves in bottom oven
- 1 Grill pan with handle
- 1 Enamelled baking tray
- Multiple position telescopic shelving racks available for top and bottom oven

Electrical connection

- Rated load 5.35kW
- Fuse rating 30A

Optional extras

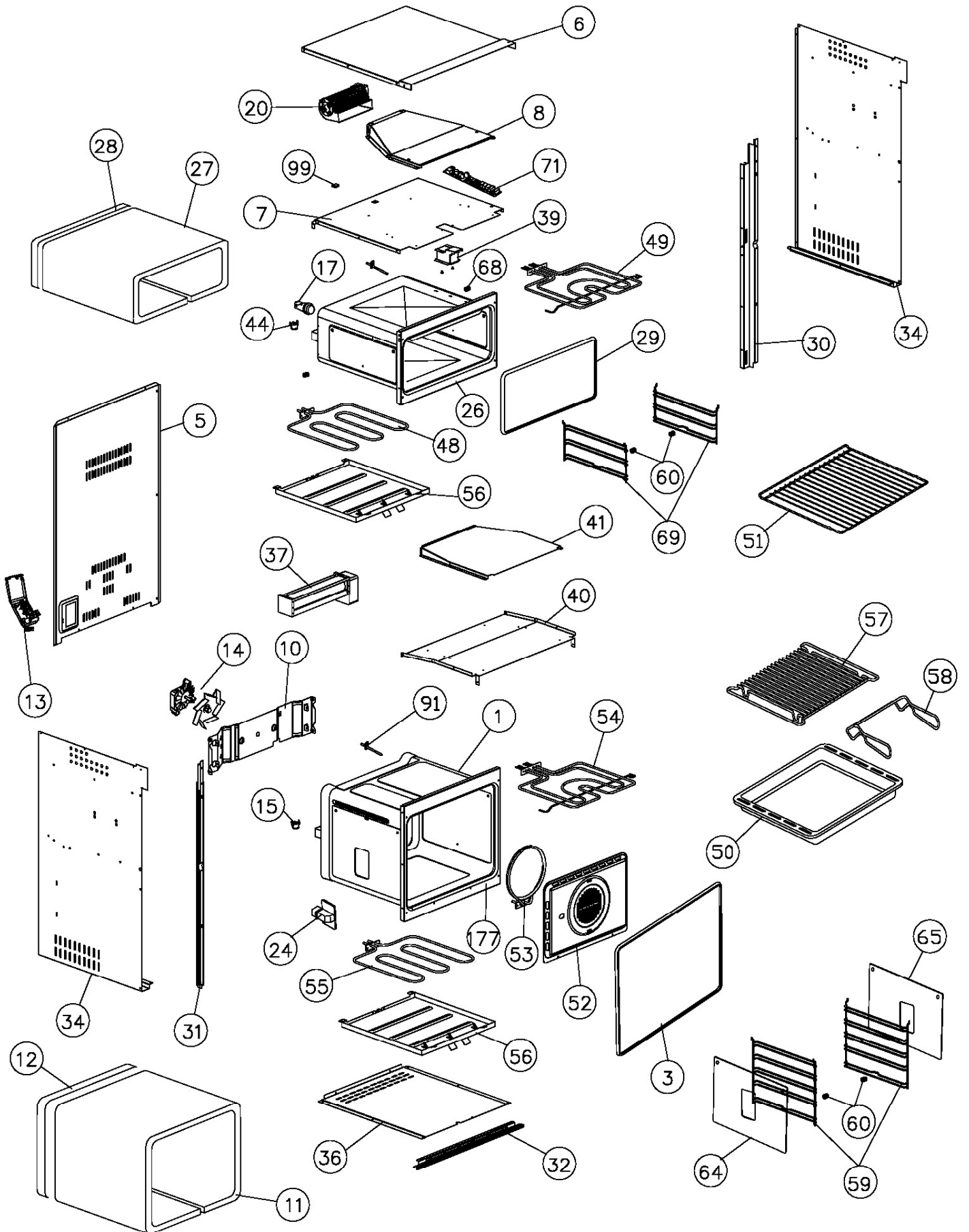
- Side and rear catalytic liners for bottom oven CAPCAT6
- Multiple position telescopic shelving racks for top and bottom ovens CAPRACK2





C3370

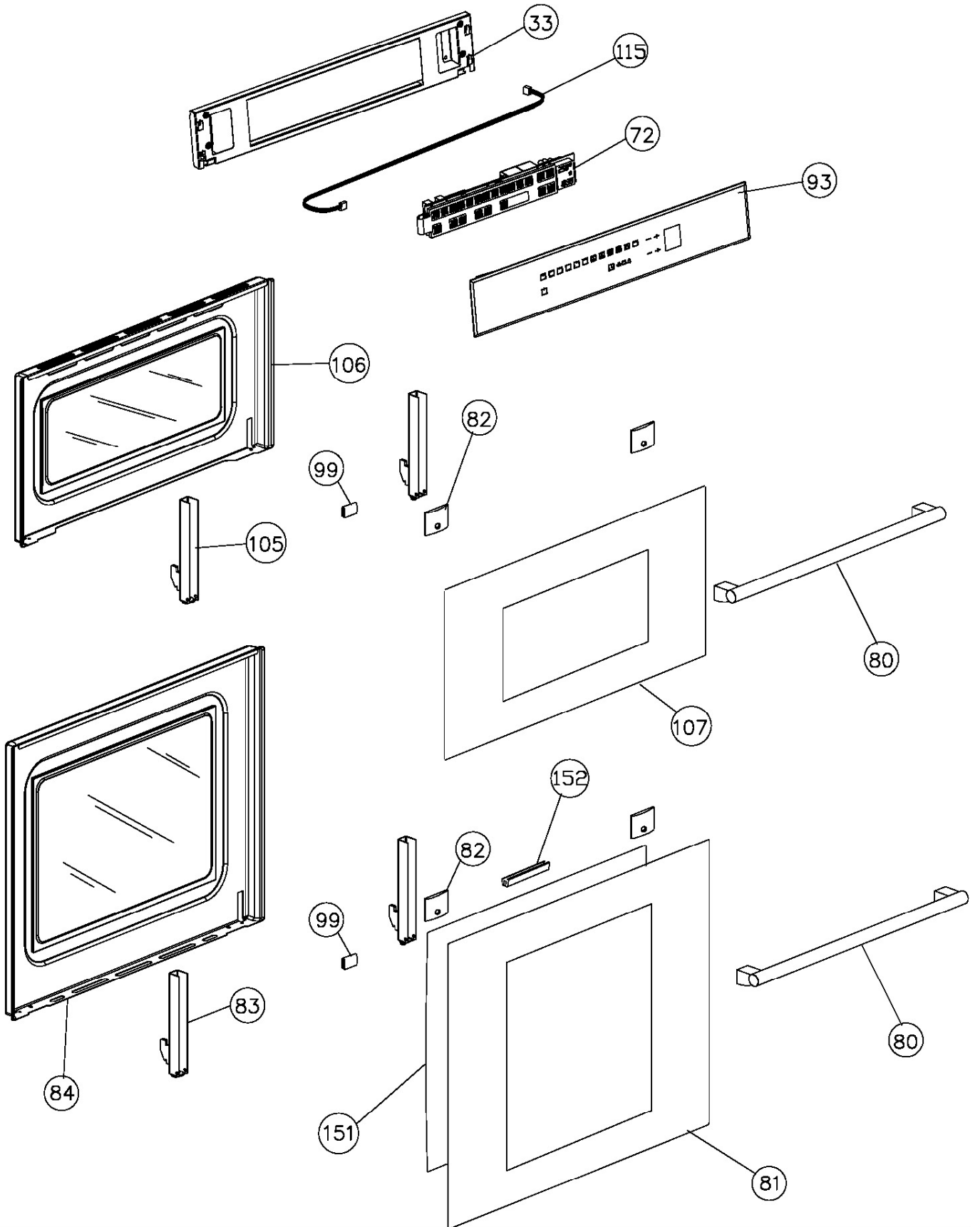
Cable Built-In Multifunction Double Oven





C3370

Cable Built-In Multifunction Double Oven





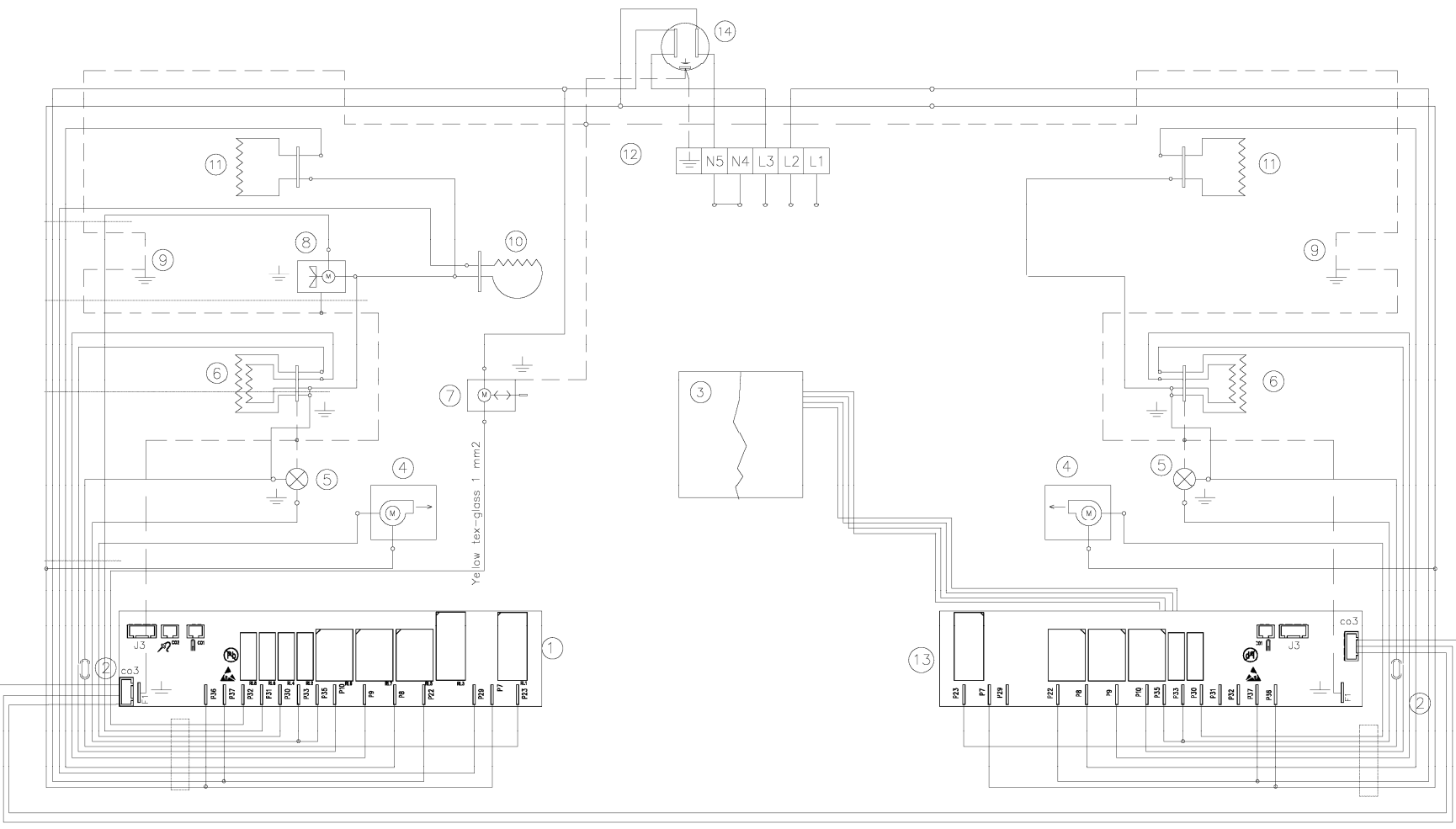
C3370 - Caple double oven

Item	Part Code	Description
1a	42700672	MUFFLE (until 23/03/14)
1b	42703372	MUFFLE (from 24/03/14)
3a	12380700	MUFFLE GASKET (until 23/03/14)
3b	12382140	MUFFLE GASKET (from 24/03/14 until 07/08/14)
3c	12382110	MUFFLE GASKET (from 08/08/14)
5	12111180	BACK SHIELD
6	12111170	TOP SHIELD
7a	12111220	LOWER AIR CONVEYOR (until 27/09/15)
7b	12113440	LOWER AIR CONVEYOR (from 28/09/15)
8	12111380	UPPER AIR CONVEYOR
10	12192660	SUPPORT BAR
11	12380840	FIBERGLASS SHELL
12	12380480	FIBERGLASS REAR
13a	12530010	TERMINAL BLOCK/FASTEN CABLE 40A (until 21/12/11)
13b	12750076	TERMINAL BLOCK/FASTEN CABLE 40A (from 01/01/12)
14a	12590030	RADIAL FAN (until 09/10/11)
14b	12590190	RADIAL FAN (from 10/10/11)
15	12540943	SAFETY THERMOSTAT PRESET T165°C
17a	12540002	LAMP SOCKET 25W T300 230/240V (until 26/07/15)
17b	12541980	HALOGEN LAMP SOCKET 25W 230V (from 27/07/15)
20	12590090	TANGENTIAL COOLING FAN
24	12540950	RECTANGULAR LAMP SOCKET 25W 230/240V
26	42700233	MUFFLE
27	12380180	FIBERGLASS SHELL
28	12380170	FIBERGLASS REAR
29	12380570	MUFFLE GASKET
30	12701461	BODY CENTER PILLAR
31	12701451	BODY CENTER PILLAR
32	12111231	LOWER DRIP PROFILE D72-88 BLACK
33a	12111501	COUNTER FRONTAL (until 25/11/12)
33b	12112531	COUNTER FRONTAL (from 26/11/12)
34	12111150	LEFT-RIGHT SIDE SHIELD
36	12111160	BOTTOM SHIELD
37	12590080	TANGENTIAL COOLING FAN
39	12701010	EXHAUSTING GAS CHIMNEY
40	12111190	LOWER CENTRAL AIR CONVEYOR D88
41	12111200	UPPER CENTRAL AIR CONVEYOR D88
44	12540942	SAFETY THERMOSTAT PRESET T185°C
48a	12570080	BOTTOM HEATING ELEMENT 850W (until 05/07/15)
48b	12570392	BOTTOM HEATING ELEMENT 850W (from 06/07/15)
49	12570050	UPPER HEATING ELEMENT 750/1000W
50a	42105125	*TRAY F60 H30 WHITE SPOTTED BLACK ENAMEL (until 15/06/11)
50b	42105295	TRAY F60 H30 WHITE SPOTTED BLACK ENAMEL (from 16/06/11)
51	12200230	SHELF



C3370 - Caple double oven

Item	Part Code	Description
52	42105083	FAN COVER SELF-CLEANING
53	12570030	CIRCULAR HEATING ELEMENT 2300W
54	12570010	UPPER HEATING ELEMENT 1000/1200
55a	12570000	BOTTOM HEATING ELEMENT 1100W (until 12/07/15)
55b	12570390	BOTTOM HEATING ELEMENT 1100W (from 13/07/15)
56a	12190030	FASTENER BOTTOM HEATING ELEMENT (until 23/06/15)
56b	12194240	FASTENER BOTTOM HEATING ELEMENT (from 24/06/15)
57	12200090	GRILL PAN SHELF
58a	12200100	DOUBLE HANDLE GRILL PAN (until 21/10/12)
58b	12200450	DOUBLE HANDLE GRILL PAN (from 22/10/12)
59	12200000	OVEN's SIDE RACK
60	12280020	PAWL FOR SIDE RACK
64	42105251	PANEL SELF-CLEANING LEFT
65	42105241	PANEL SELF-CLEANING RIGHT
68	12280090	GRILL HEATING ELEMENT FASTENER
69	12200080	OVEN's SIDE RACK
70	12380950	ADHESIVE GASKET
71	12541160	CREATIVE POWER BOARD 14F D888-F60
72	42782039	CREATIVE POWER BOARD 5F D888
80	12740600	HANDLE SENSEHAN1 MAURICE LAY
81	42712525	GLASS DOOR
82	12190140	PLAQUE FIX.HANDLE BLACK
83a	12600110	OVEN HINGE (until 08/11/12)
83b	12600430	OVEN HINGE (from 09/11/12)
84	42710291	INNER DOOR
91a	12540400	NTC PROBE (until 29/06/15)
91b	12542080	NTC PROBE (from 30/06/15)
93	42715573	FRONTAL GLASS
99	12380650	RUBBER FOOT FOR HINGE
105	12600050	D.2,5 EST.D.14 OVEN HINGE
106	42710301	INNER DOOR
107	42712528	GLASS DOOR
115	12750275	POWER BOARD CONNECTING CABLE
151	12321392	3rd INNER GLASS THERMO REFLECTIVE
152	12191370	3rd GLASS FRAME FASTENER INOX
177	42100872	FRONT WALL MUFFLE (from 24/03/14)



LEGEND

- 1- Power board main oven
- 2- Thermal cut-out
- 3- Display board
- 4- Cooling fan motor
- 5- Oven light
- 6- Upper+grill heating element
- 7- Rotating spit motor (Optional)
- 8- Fan motor
- 9- Earth appliance
- 10- Circular heating element
- 11- Bottom heating element
- 12- Terminal supply
- 13- Power board top oven
- 14- FILTER

SYMBOL LEGEND

- P33 + P35= oven light
- P30= cooling fan motor
- P31= fan motor
- P32= rotating spit motor (Optional)
- P29= circular heating element
- P8= botton heating element
- P9= grill heating element
- P10= upper heating element
- P23= neutral
- P22 + P37= Line
- P7 + P36= Neutral
- CO1= Temperature probe
- CO2= Meat probe (Optional)
- CO3= Oven light/open door (Optional)
- VS= Tex-glass
- GS= Silicon rubber
- F1= Earth display board
- CO3= Connect power bord

- Protective tex-glass
- Fixing wires
- Earth wire