

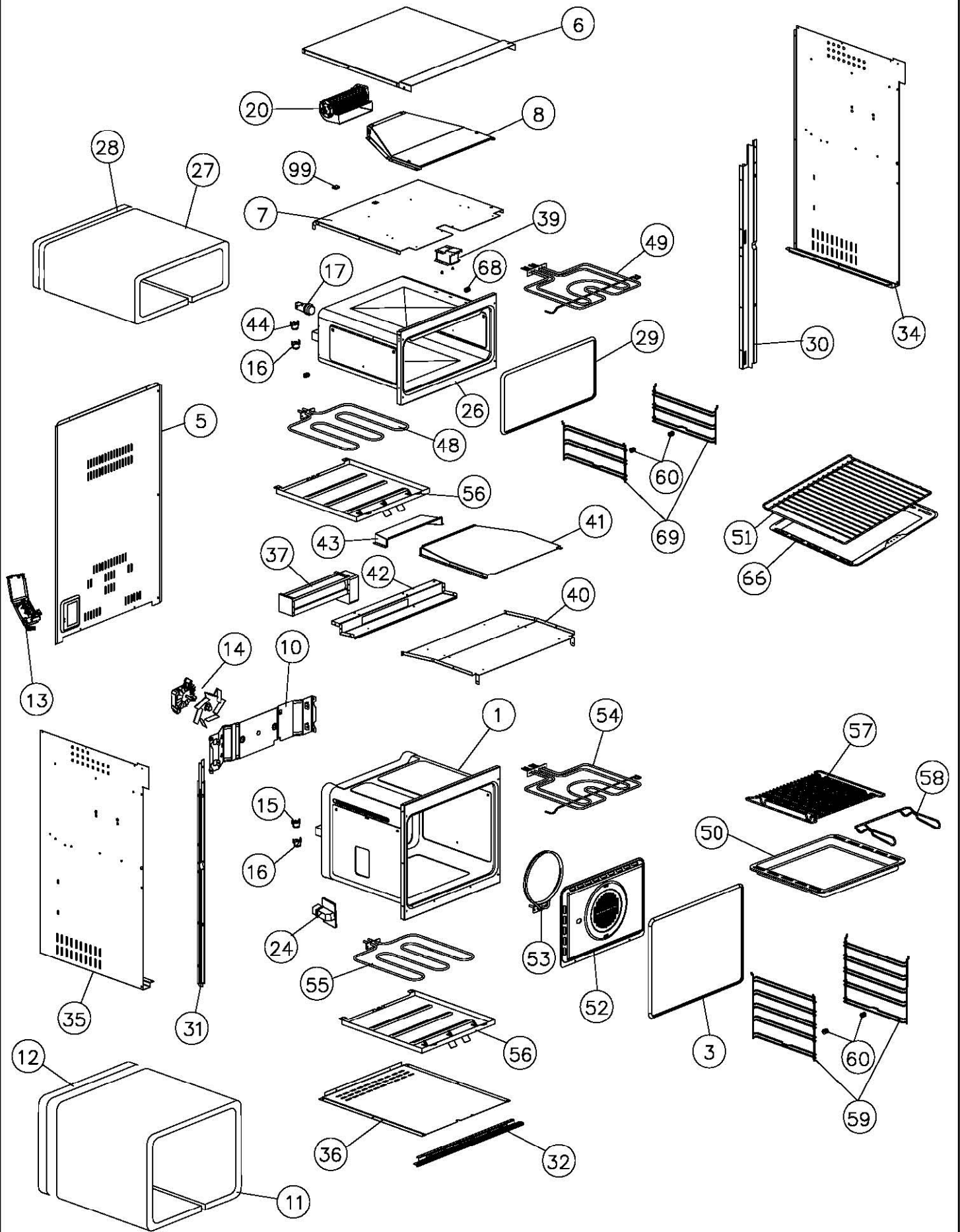


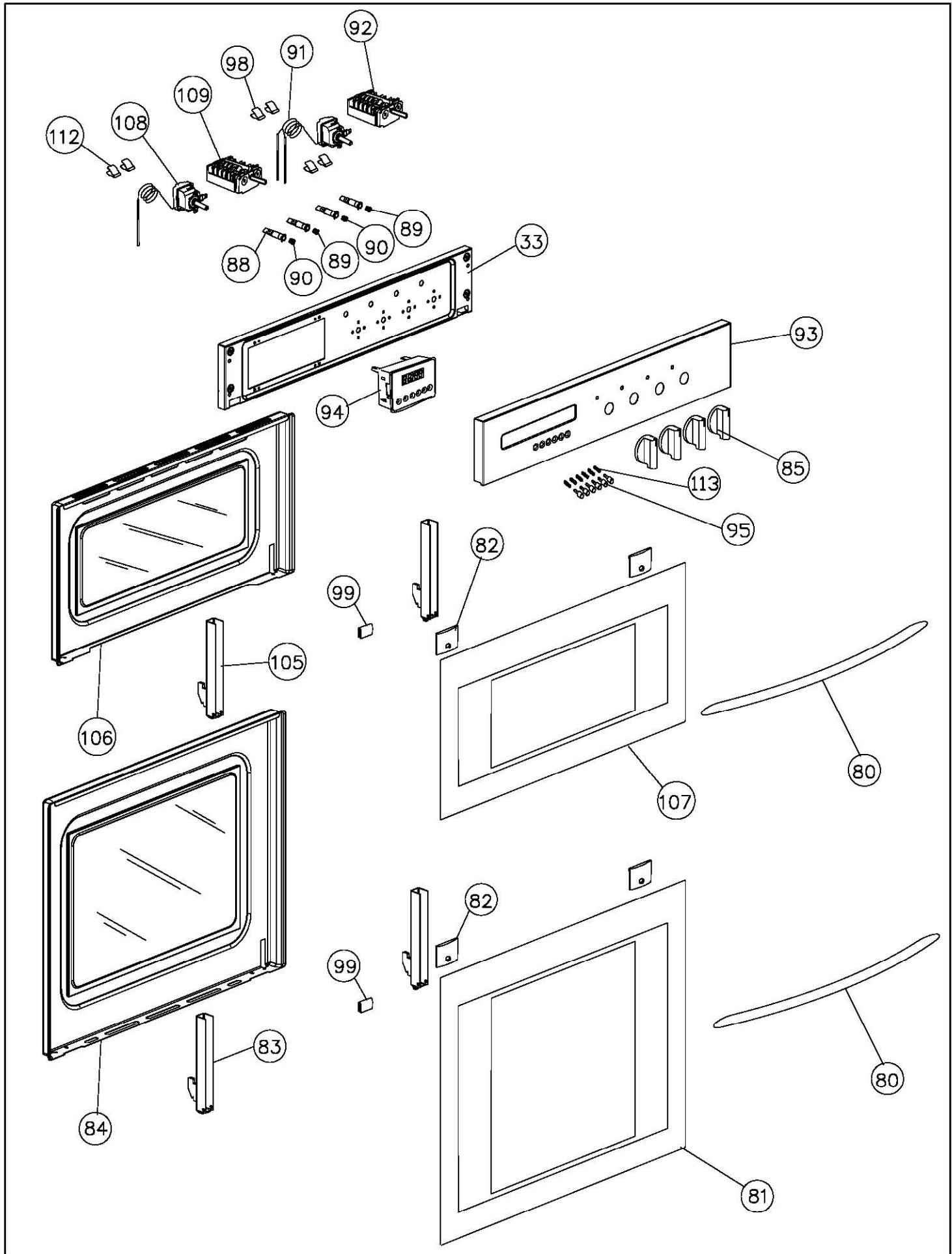
C3340SS

**Caple Built In Multifunction
Double Oven - Stainless Steel**



TECHNICAL INFORMATION





MODEL C3340SS - SPARE PARTS LIST

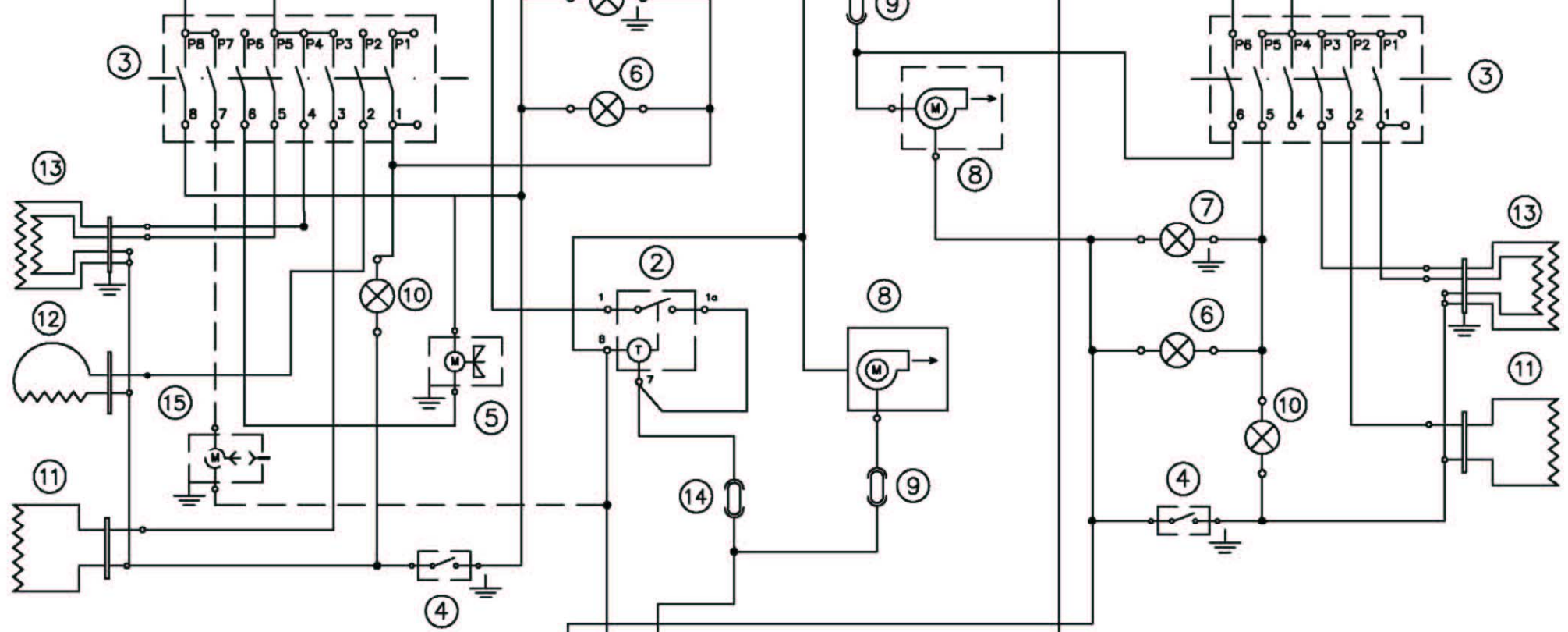
<u>EXPLODED</u>	<u>PART NUMBER</u>	<u>DESCRIPTION</u>
<u>DGRM. NO</u>		
1	42700501	OVEN CUBE F61 MF SMOOTH BLACK
3	12380410	OVEN TRIM 4 SIDES CUT OFF
5	12110170	REAR INSULATION D88
6	12110210	TOP INSULATION D88
7	12110230	LOWER COOLING FAN SUPPORT D88
8	12110220	TOP UPPER COOLING FAN D88
10	12190020	CROSSPIECE FOR FAN/ROTISSERIE
11	12380580	WHITE FIBREGLASS COVER
12	12380480	WHITE FIBREGLASS REAR
13	12530010	TERMINAL BLOCK + CABLE 40A
14	12590030	FAN Fe30W
15	12540360	SAFETY THERMOSTAT
16	12540150	SAFETY THERMOSTAT
17	12540002	LAMP HOLDER 25W
20	12590050	TANGENTIAL FAN
24	12540050	LAMP HOLDER RECTANGULAR 25W
26	42700231	OVEN CUBE F12 STATIC LAMP LEFT SMOOTH BLACK
27	12380180	WHITE FIBREGLASS COVER
28	12380170	WHITE FIBREGLASS REAR F12
29	12380570	OVEN TRIM 4 SIDES F12
30	12701311	UPRIGHT RIGHT D88 BLACK
31	12701301	UPRIGHT LEFT D88 BLACK
32	12190301	LOWER PROFILE D88 BLACK
33	12701231	CONTROL PANEL D88 BLACK
34	12110140	RIGHT SIDE INSULATION D88
35	12110130	LEFT SIDE INSULATION D88
36	12110160	BASE INSULATION D72-88
37	12590080	TANGENTIAL FAN
39	12701010	SMOKE VENT F12
40	12110200	CENTRAL LOWER COOLING FAN D88
41	12110190	CENTRAL UPPER COOLING FAN D88
42	12110240	CENTRAL TANGENTIAL SUPPORT
43	12110250	TOP SUPPT TANGENTIAL CENTRAL FAN D88
44	12540340	SAFETY THERMOSTAT
48	12570080	BASE ELEMENT 850W
49	12570050	DOUBLE ELEMENT 750/1000W
50	42105121	BAKING TRAY F60 H30 BLACK
51	12200230	SHELF F60 SMOOTH OVE CUBE
52	42105081	FAN COVER BLACK F60
53	12570030	CIRCULAR ELEMENT 2300W
54	12570010	DOUBLE ELEMENT 750/1000W
55	12570000	BASE ELEMENT SUPPORT
56	12190030	BASE ELEMENT SUPPORT
57	12200090	GRILL PAN + FEET
58	12200100	HANDLE FOR DOUBLE GRILL PAN
59	12200000	LATERAL SHELF SUPPORT F60 RIGHT/LEFT
60	12280020	CATCH FOR LATERAL SHELVES
68	12280090	CATCH FOR GRILL ELEMENT
69	12280080	NUT FOR FIXING FLANGE GLASS
80	12220024	HANDLE 102 I480 BRUSHED STST
81	42712331	OVEN DOOR GLASS/STST I480 CAPLE LIGHT

MODEL C3340SS - SPARE PARTS LIST

<u>EXPLODED</u>	<u>PART NUMBER</u>	<u>DESCRIPTION</u>
<u>DGRM. NO</u>		
82	12190140	BLACK HANDLE FIXING PLATE
83	12600110	OVEN HINGE
84	42710290	INNER DOOR F60TV BLACK + THERMAL SCREWS
85	11741801	KNOB BRUSHED STST TYPE H
88	12540120	INDICATOR LAMP NEON
89	11540420	RED BUTTON
90	11540422	ORANGE BUTTON
91	12540160	THERMOSTAT 2 BULBS
92	12540430	COMMUTATOR 10F
93	42715212	OVEN DOOR SM510E GLASS/STST NEUTRAL VISION
94	12540425	ELECTRONIC TIMER 6 BUTTON GREEN
95	12300113	PUSH BUTTON H21 STST
98	12280000	SPRING FOR THERMOSTAT BULB
99	12380500	RUBBER FOOT FOR DOOR HINGE
105	12600050	OVEN HINGE
106	42710300	INNER DOOR F12TV BLACK + THERMAL SCREWS
107	42712288	OVEN DOOR GLASS/STST I480 H287 LIGHT
108	12540070	THERMOSTAT 1 BULB
109	12540240	COMMUTATOR 5F
112	12280221	BULB HOLDER
113	12280150	SPRING FOR PUSH BUTTON
151	12321392	INTERIOR PANEL + THERMO REFLECTIVE SCREWS
152	12191370	FIXING PROFILE 3 GLASS BLACK

COD. 12.540.710

COD. 12.540.240



LEGEND

- 1- Supply terminal
- 2- Electronic timer
- 3- Selector
- 4- Oven thermostat
- 5- Fan motor
- 6- Pilot lamp selector
- 7- Oven light
- 8- Cooling fan motor
- 9- Thermostat start cooling fan
- 10- Pilot lamp thermostat
- 11- Bottom heating element
- 12- Circular heating element
- 13- Upper+grill heating element
- 14- Thermal cut-out
- 15- Rotating spit motor (optional)
- K1- Earth appliance
- K2- Earth fan motor
- K3- Earth rotating spit motor(Optional)
- K4- Earth upper heating element
- K5- Earth lamp holder
- K6- Earth thermostat

Mod. omologation. E88A/(-)510(-)(-)TE

ALL OF THE DIMENSIONS DO NOT TAKE CARE OF FINISHING

GENERAL TOLERANCES

LENGTH

ANGLES

HOLES



C3340SS

Cable Built In Double Multi Function Oven Stainless Steel

FORMAT
A3H