



# C2900

## Caple Single Oven



### Technical information



## C2900 - Caple 90cm single Oven Stainless Steel

# New product information sheet

**Product name:** C2900

**Description:** 90cm Single touch control built in oven

**Product code:** C2900

Features still check features

Stainless steel and glass

14 Functions:

- *light*
- *conventional heat*
- *top heat*
- *base heat*
- *eco grill*
- *full grill*
- *turbo grill*
- *turbo conventional heat*
- *fan heat*
- *base plus fan heat*
- *turbo defrost*
- *grill plus base heat*
- *boost*
- *clean*



75 Litre capacity

Touch-screen programmable electronic timer

Rotisserie

Triple glazed door with heat reflective glass

Self-cleaning catalytic liners

### General features

Stainless steel and black glass

Stainless steel, black-spot feature bar handle

White spotted easy-to-clean black enamel interior

Closed door grilling

Tangential cooling fan

Smooth and flat oven sides with chrome shelf racks

Full width sealed inner door glass

2 Side interior lights



C2900 - Caple 90cm single Oven Stainless Steel

# New product information sheet

**Product name:** C2900

**Description:** 90cm Single touch control built in oven

**Product code:** C2900

## Accessories

1 Safety-stop shelf

1 Grill pan with handle

1 Enamelled baking tray

Multiple position telescopic shelving racks

## Electrical connection

Rated load 3.50kW

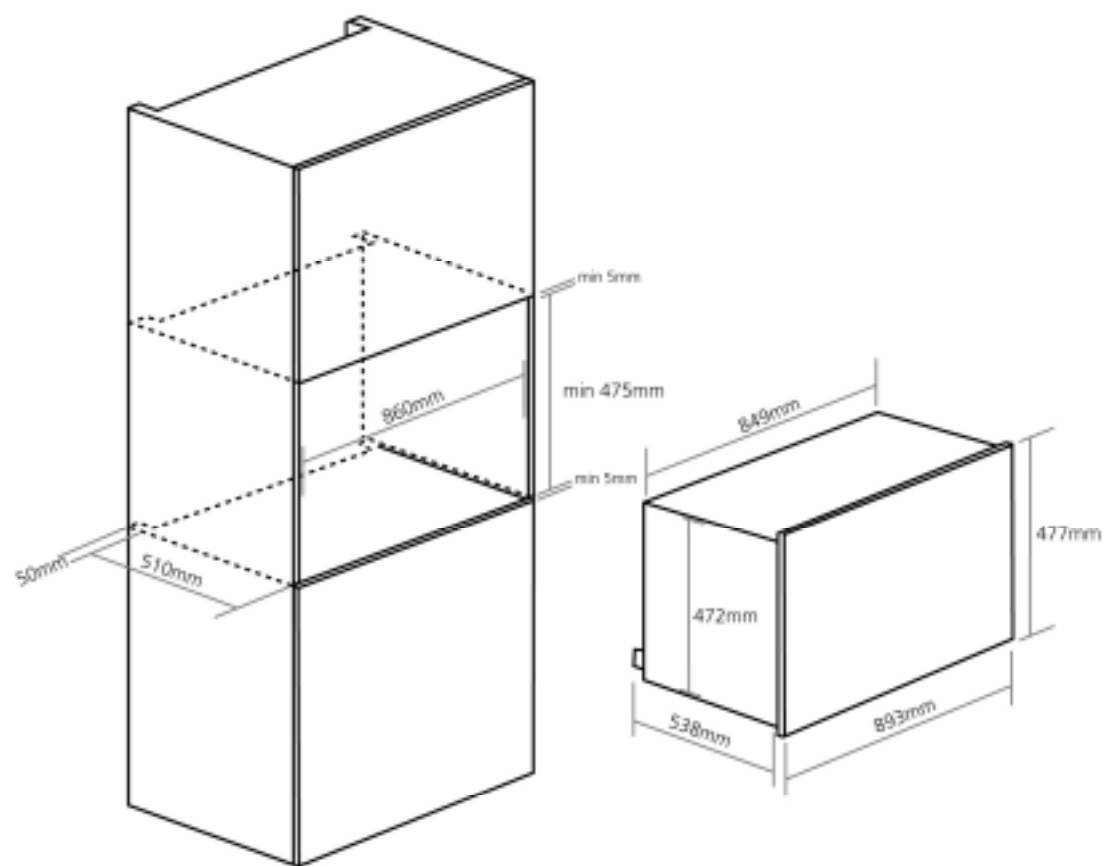
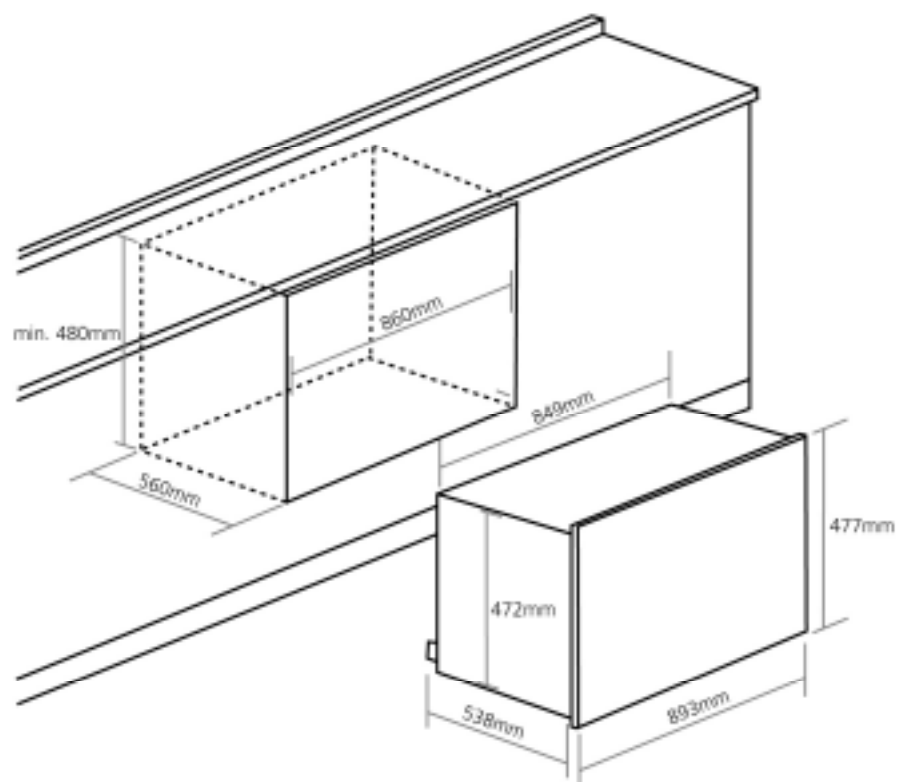
Fuse rating 20A





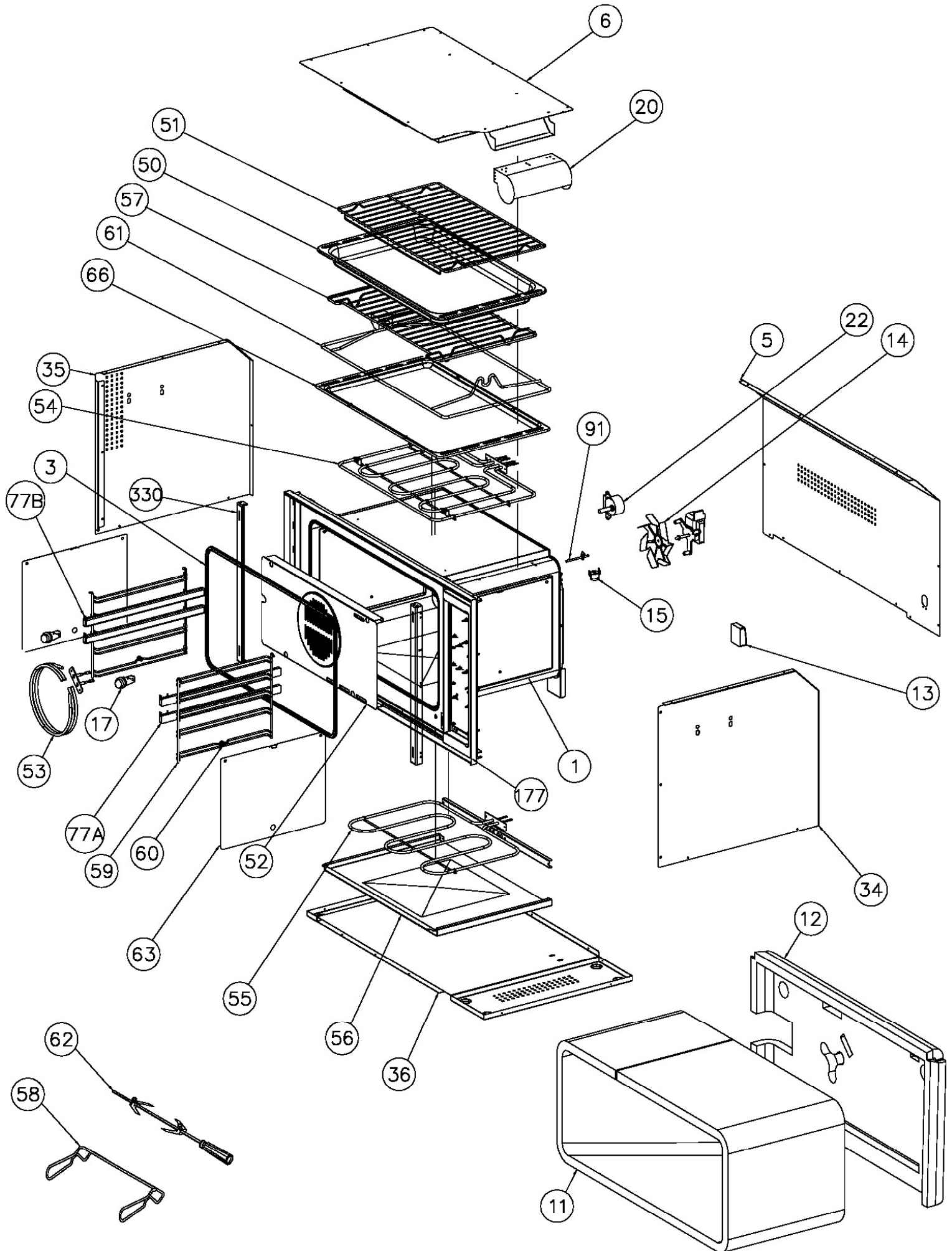
# C2900

Caple 90cm single Oven  
Stainless Steel



## C2900

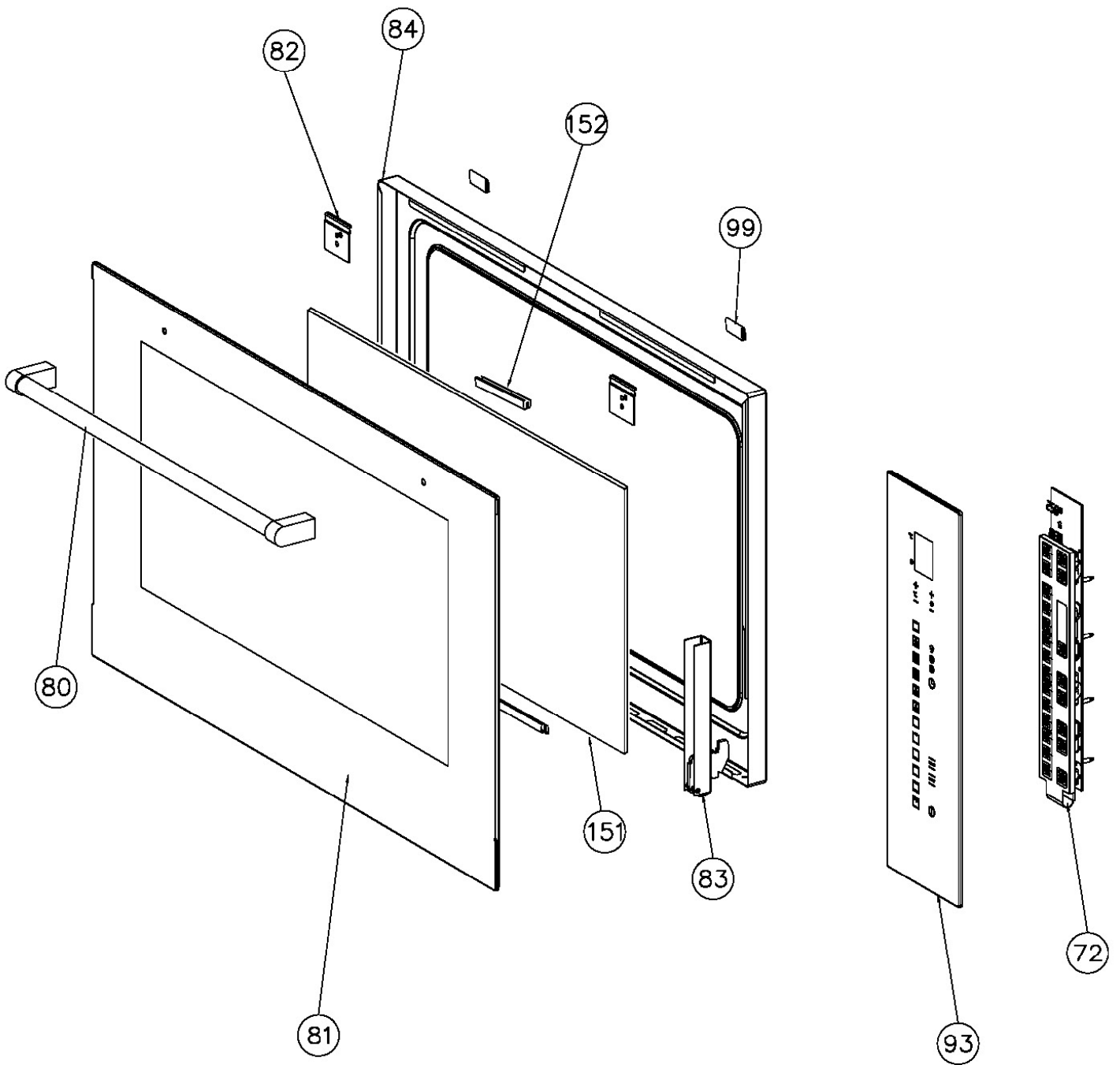
Caple Single Oven





# C2900

Caple Single Oven





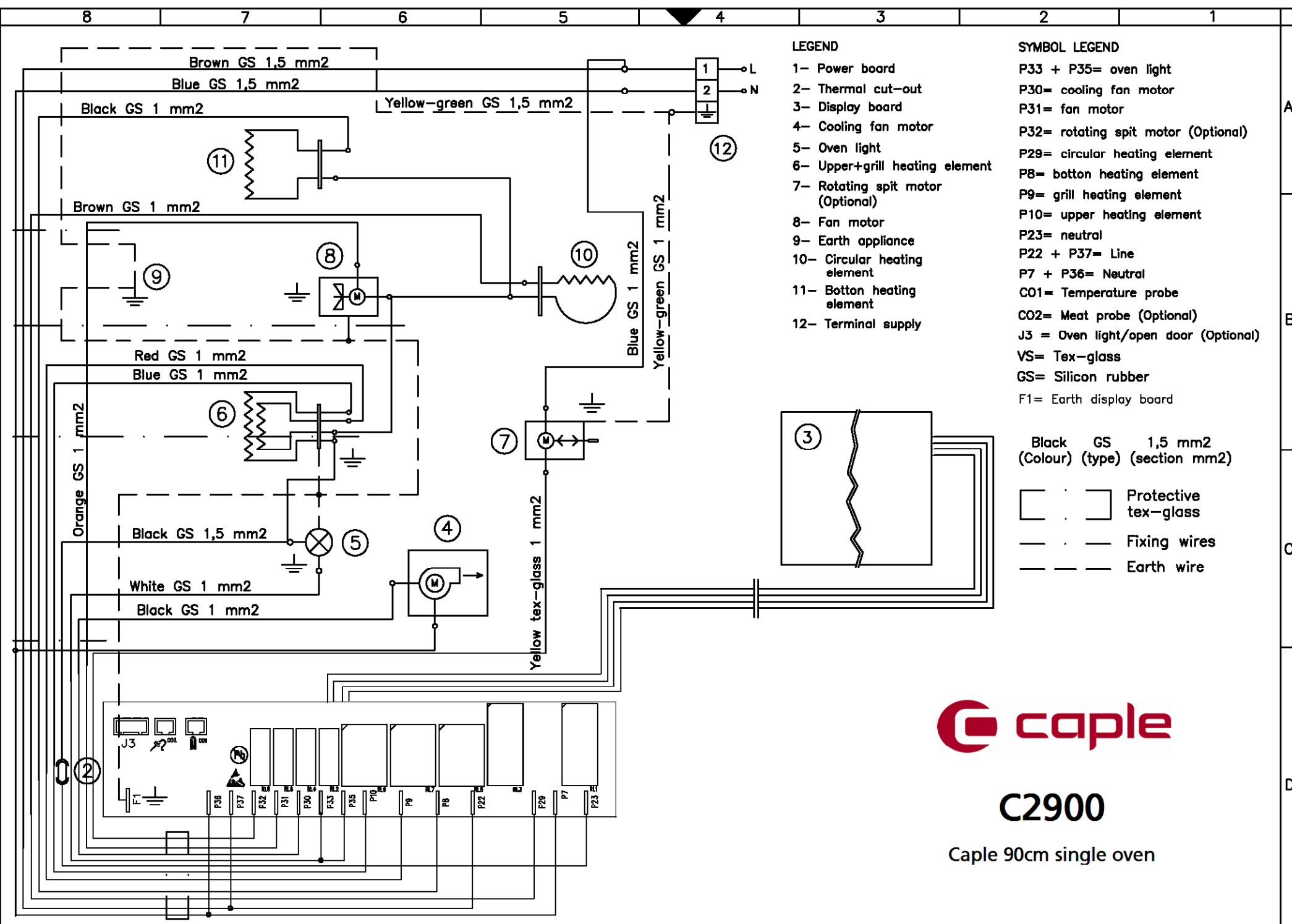
## C2900 - Caple single oven

Item	Part Code	Description
1a	42700713	MUFFLE (until 04/02/14)
1b	42703212	MUFFLE (from 05/02/14)
3a	12380320	MUFFLE GASKET (until 15/01/12)
3b	12381490	MUFFLE GASKET (from 16/01/12 until 22/04/12)
3c	12381580	MUFFLE GASKET (from 23/04/12)
5a	12110540	BACK SHIELD (until 06/07/14)
5b	12113010	BACK SHIELD (from 07/07/14 until 27/09/15)
5c	12113370	BACK SHIELD (from 28/09/15)
6a	12701220	OVEN ROOF/AIR CONVEYOR ASSEMBLY (until 17/07/11)
6b	12701620	OVEN ROOF/AIR CONVEYOR ASSEMBLY (from 18/07/11 until 02/02/14)
6c	12701780	OVEN ROOF/AIR CONVEYOR ASSEMBLY (from 03/02/14 until 27/09/15)
6d	12701900	OVEN ROOF/AIR CONVEYOR ASSEMBLY (from 28/09/15)
11a	12380350	FIBERGLASS SHELL (until 04/02/14)
11b	12382060	FIBERGLASS SHELL (from 05/02/14)
12a	12380340	FIBERGLASS REAR (until 20/01/13)
12b	12381770	FIBERGLASS REAR (from 21/01/13 until 04/02/14)
12c	12382070	FIBERGLASS REAR (from 05/02/14)
13	12530000	TERMINAL BLOCK/FASTEN CABLE 16A
14a	12590030	RADIAL FAN (until 09/10/11)
14b	12590190	RADIAL FAN (from 10/10/11)
15	12540941	SAFETY THERMOSTAT PRESET T140°C
17a	12540002	LAMP SOCKET 25W T300 230/240V (until 23/07/15)
17b	12541980	HALOGEN LAMP SOCKET 25W 230V (from 27/07/15)
20	12590090	TANGENTIAL COOLING FAN
22	12590000	GEARMOTOR 5W
34a	12110520	RIGHT SIDE SHIELD (until 27/09/15)
34b	12113350	RIGHT SIDE SHIELD (from 28/09/15)
35a	12110530	LEFT SIDE SHIELD (until 27/09/15)
35b	12113360	LEFT SIDE SHIELD (from 28/09/15)
36a	12111140	BOTTOM SHIELD (until 04/02/14)
36b	12112990	BOTTOM SHIELD (from 05/02/14 until 27/09/15)
36c	12113340	BOTTOM SHIELD (from 28/09/15)
50a	42105213	*TRAY F90 H40 WHITE SPOTTED BLACK ENAMEL (until 27/02/11)
50b	42105323	TRAY F90 H40 WHITE SPOTTED BLACK ENAMEL (from 28/02/11)
51	12200240	SHELF
52a	42105232	FAN COVER (until 04/02/14)
52b	42105498	FAN COVER (from 05/02/14)
53	12570030	CIRCULAR HEATING ELEMENT 2300W
54a	12570090	UPPER HEATING ELEMENT 1100/1750W (until 26/01/14)
54b	12570360	UPPER HEATING ELEMENT 1100/1750W (from 27/01/14)
55	12570140	BOTTOM HEATING ELEMENT 1250W
56a	12111390	FASTENER BOTTOM HEATING ELEMENT (until 04/02/14)
56b	12112980	FASTENER BOTTOM HEATING ELEMENT (from 05/02/14)
57	12200160	GRILL PAN SHELF



## C2900 - Caple single oven

Item	Part Code	Description
58a	12200100	DOUBLE HANDLE GRILL PAN (until 21/10/12)
58b	12200450	DOUBLE HANDLE GRILL PAN (from 22/10/12)
59	12200000	OVEN's SIDE RACK
60	12280020	PAWL FOR SIDE RACK
61	12200130	SPIT ROD SUPPORT
62	42090026	KIT SPIT ROD
63	42105041	PANEL SELF-CLEANING RIGHT-LEFT
66a	42105203	*TRAY F90 H15 WHITE SPOTTED BLACK ENAMEL (until 27/02/11)
66b	42105313	TRAY F90 H15 WHITE SPOTTED BLACK ENAMEL (from 28/02/11)
72	42782037	CREATIVE POWER BOARD 14F F90
77a	12600170	RIGHT PARTIAL EXTRACTION SIDE RACK Q4
77b	12600180	LEFT PARTIAL EXTRACTION SIDE RACK Q4
80	12740600	HANDLE SENSEHAN1 MAURICE LAY
81	42712764	GLASS DOOR
82	12190140	PLAQUE FIX.HANDLE BLACK
83a	12600150	OVEN HINGE (until 06/01/13)
83b	12600420	OVEN HINGE (from 07/01/13)
84a	42710242	INNER DOOR (until 17/05/15)
84b	42710881	INNER DOOR (from 18/05/15)
91a	12540400	NTC PROBE (until 29/06/15)
91b	12542080	NTC PROBE (from 30/06/15)
93	42715548	FRONTAL GLASS
99	12380500	RUBBER FOOT FOR HINGE
151	12321041	3rd INNER GLASS THERMO REFLECTIVE
152	12191370	3rd GLASS FRAME FASTENER INOX
177	12100738	FRONT WALL MUFFLE (from 05/02/14)
330a	12193791	RIGHT/LEFT HINGE SUPPORT (from 05/02/14 until 12/04/15)
330b	12194010	RIGHT/LEFT HINGE SUPPORT (from 13/04/15)



**LEGEND**

- 1- Power board
- 2- Thermal cut-out
- 3- Display board
- 4- Cooling fan motor
- 5- Oven light
- 6- Upper+grill heating element
- 7- Rotating spit motor (Optional)
- 8- Fan motor
- 9- Earth appliance
- 10- Circular heating element
- 11- Bottom heating element
- 12- Terminal supply

**SYMBOL LEGEND**

- P33 + P35= oven light
- P30= cooling fan motor
- P31= fan motor
- P32= rotating spit motor (Optional)
- P29= circular heating element
- P8= bottom heating element
- P9= grill heating element
- P10= upper heating element
- P23= neutral
- P22 + P37= Line
- P7 + P36= Neutral
- CO1= Temperature probe
- CO2= Meat probe (Optional)
- J3 = Oven light/open door (Optional)
- VS= Tex-glass
- GS= Silicon rubber
- F1= Earth display board

- Black GS 1,5 mm2 (Colour) (type) (section mm2)
- Protective tex-glass
- Fixing wires
- Earth wire



**C2900**

Caple 90cm single oven