



C2511

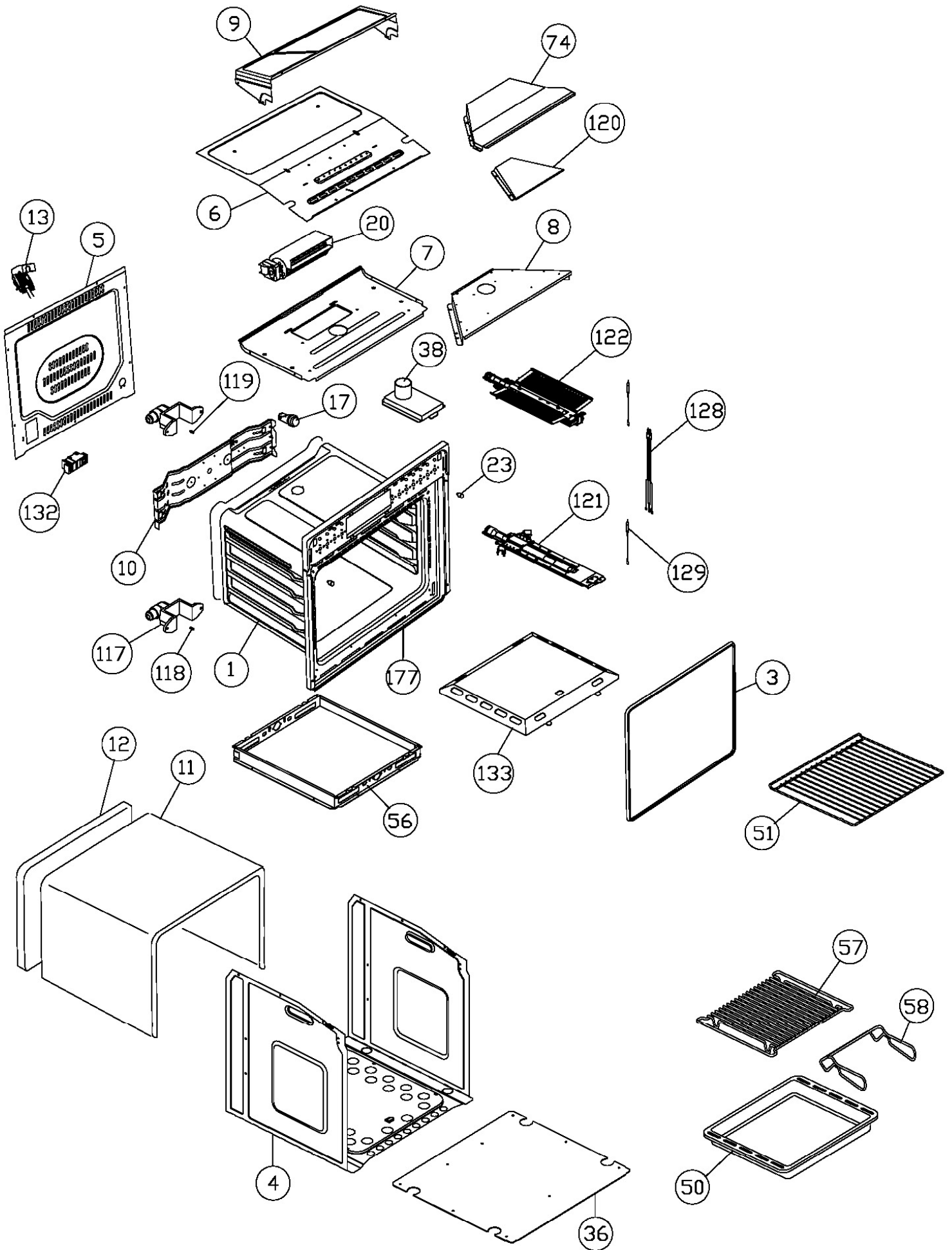
Caple Single Oven



Technical information

C2511

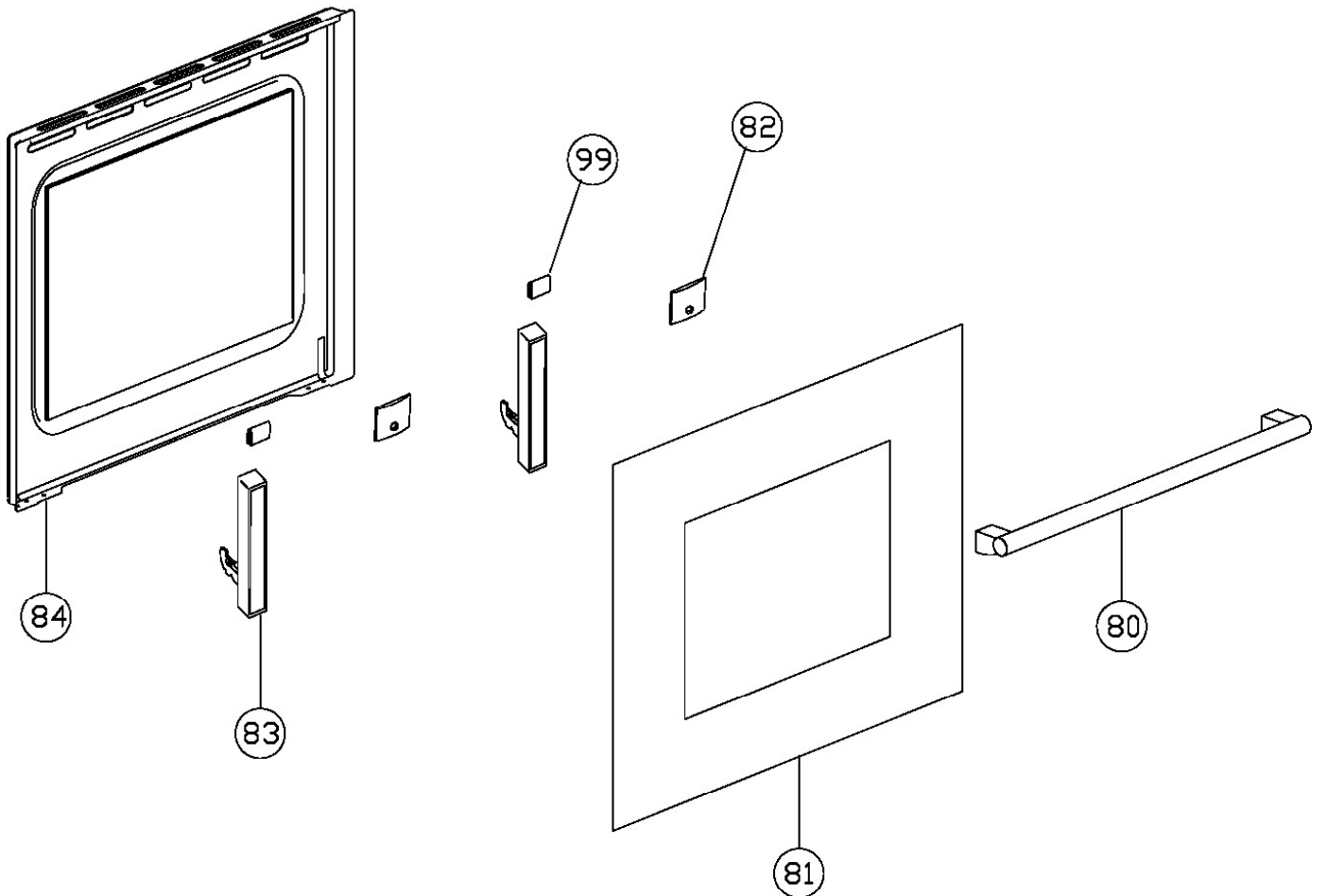
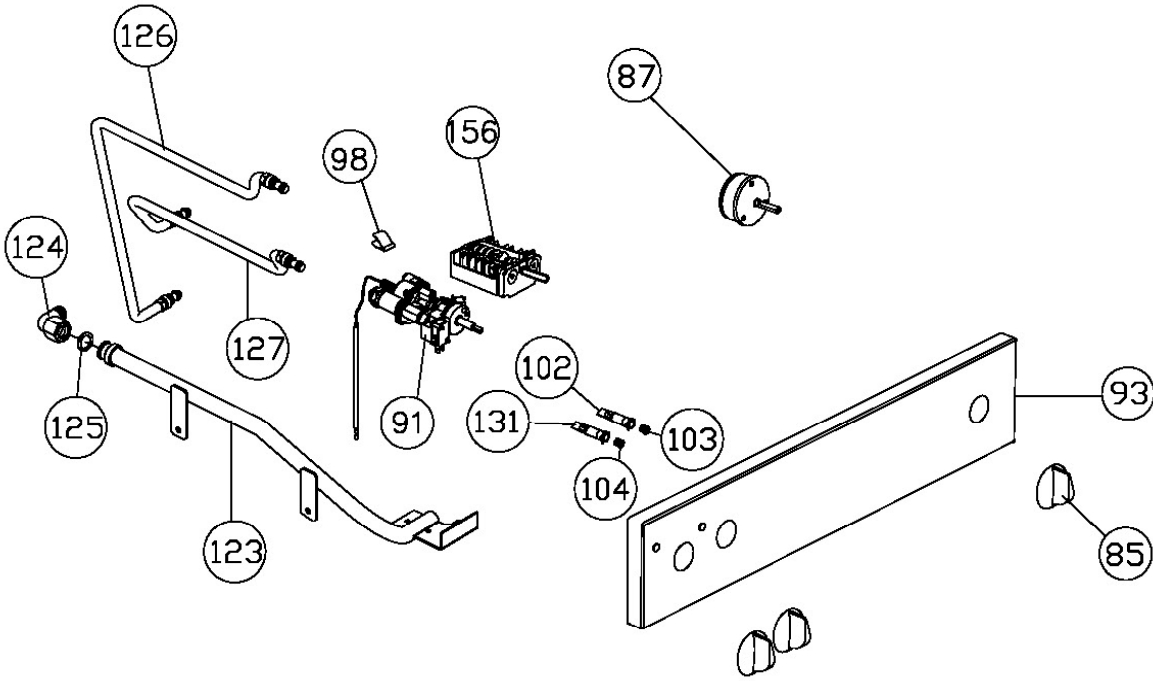
Caple Single Oven





C2511

Caple Single Oven





C2511 - Caple single oven

| Item | Part Code | Description |
|------|-----------|--|
| 1a | 42700301 | MUFFLE (until 23/03/14) |
| 1b | 42703431 | MUFFLE (from 24/03/14) |
| 2 | 12380060 | MUFFLE GASKET (until 23/03/14) |
| 3a | 12380050 | MUFFLE GASKET (until 23/03/14) |
| 3b | 12382110 | MUFFLE GASKET (from 24/03/14) |
| 4 | 12110640 | OUTER SHIELD |
| 5 | 12110080 | BACK SHIELD |
| 6 | 12110670 | TOP SHIELD |
| 7a | 12110700 | LOWER AIR CONVEYOR FG60 (until 19/06/11) |
| 7b | 12112290 | LOWER AIR CONVEYOR FG60 (from 20/06/11 until 24/05/12) |
| 7c | 12112510 | LOWER AIR CONVEYOR FG60 (from 25/05/12) |
| 8 | 12110710 | UPPER AIR CONVEYOR FG60 |
| 9 | 12110680 | CONTROLS SHIELD COVERING |
| 10a | 12190020 | SUPPORT BAR (until 23/03/11) |
| 10b | 12192660 | SUPPORT BAR (from 24/03/11) |
| 11 | 12380450 | FIBERGLASS SHELL |
| 12a | 12380430 | FIBERGLASS REAR (until 07/10/12) |
| 12b | 12381650 | FIBERGLASS REAR (from 08/10/12) |
| 13 | 12530000 | TERMINAL BLOCK/FASTEN CABLE 16A |
| 17a | 12540002 | LAMP SOCKET 25W T300 230/240V (until 26/07/15) |
| 17b | 12541980 | HALOGEN LAMP SOCKET 25W 230V (27/07/15) |
| 20 | 12590022 | TANGENTIAL COOLING FAN |
| 23 | 11380500 | EPDM H.6 CRYSTAL SPACER |
| 36 | 12110660 | BOTTOM SHIELD |
| 38a | 12191060 | EXAUSTING GAS CHIMNEY (until 19/11/08) |
| 38b | 12701410 | EXAUSTING GAS CHIMNEY (from 20/11/08) |
| 50a | 42105121 | *TRAY F60 H30 BLACK (until 03/02/11) |
| 50b | 42105291 | TRAY F60 H30 BLACK (from 04/02/11) |
| 51a | 12200010 | SHELF (until 21/09/14) |
| 51b | 12200530 | SHELF (from 22/09/14) |
| 56a | 12111110 | BURNING FRAME (until 23/03/14) |
| 56b | 12113060 | BURNING FRAME (from 24/03/14 until 20/09/15) |
| 56c | 12782108 | BURNING FRAME (from 21/09/15) |
| 57 | 12200090 | GRILL PAN SHELF |
| 58a | 12200100 | DOUBLE HANDLE GRILL PAN (until 21/10/12) |
| 58b | 12200450 | DOUBLE HANDLE GRILL PAN (from 22/10/12) |
| 74 | 12110720 | UNIVERSAL TANGENTIAL CONVEYOR F60 |
| 79 | 12280284 | RING NUT FOR HANDLE 111 IX.SAND (until 11/07/10) |
| 80a | 12220083 | HANDLE MOD111 (until 27/09/09) |
| 80b | 12220474 | HANDLE MOD111A (from 28/09/09 until 11/07/10) |
| 80c | 12740600 | HANDLE SENSEHAN1 MAURICE LAY (from 12/07/10) |
| 81a | 42712526 | GLASS DOOR (until 11/07/10) |
| 81b | 42712762 | GLASS DOOR (from 12/07/10) |
| 82 | 12190140 | PLAQUE FIX.HANDLE BLACK |

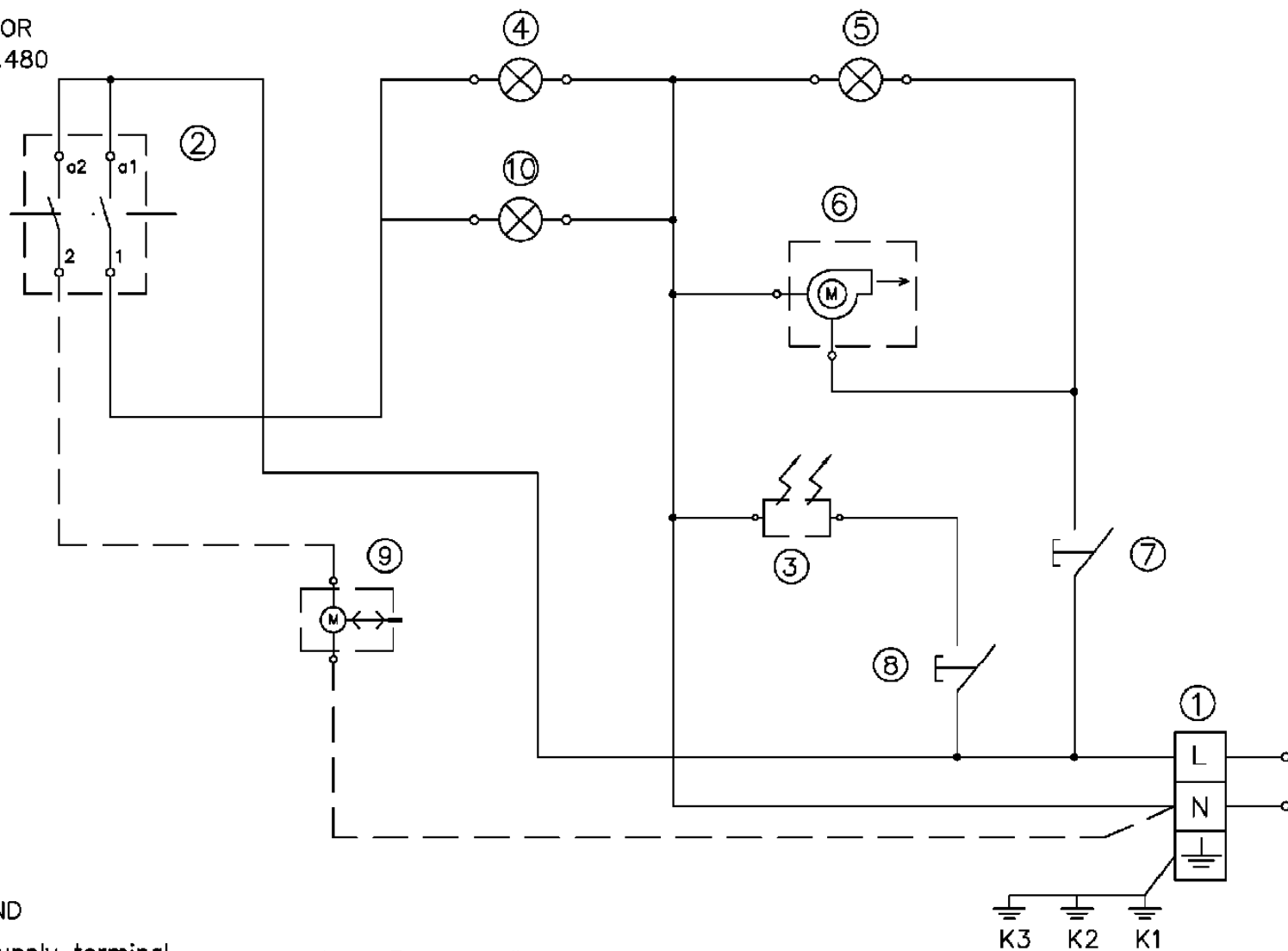


C2511 - Caple single oven

| Item | Part Code | Description |
|------|-----------|---|
| 83 | 12600030 | OVEN HINGE |
| 84a | 42710070 | INNER DOOR (until 15/03/09) |
| 84b | 42710460 | INNER DOOR (from 16/03/09) |
| 85 | 11741801 | KNOB |
| 87 | 12600010 | TIMER 60 min. |
| 91a | 12730030 | VALVE THERMOSTAT (until 24/02/08) |
| 91b | 12730070 | VALVE THERMOSTAT (from 25/02/08) |
| 92 | 12540480 | COMMUTATOR (until 31/10/12) |
| 92 | 12541910 | COMMUTATOR |
| 93a | 42163890 | CONTROL PANEL (until 31/12/10) |
| 93b | 12162634 | CONTROL PANEL (from 01/01/11) |
| 98 | 12280230 | SPRING FOR THERMOSTAT BULB |
| 99a | 12380090 | RUBBER FOOT FOR HINGE (until 15/03/09) |
| 99b | 12380650 | RUBBER FOOT FOR HINGE (from 16/03/09) |
| 102 | 12540130 | INDICATOR LAMP |
| 103 | 12540140 | RED LIGHT CAP |
| 104 | 12540141 | YELLOWGREEN LIGHT CAP |
| 117 | 12410020 | INJECTOR SUPPORT |
| 118a | 12450000 | INJECTOR GN FGS 1.13 |
| 118b | 12450003 | INJECTOR LPG FGS 0,76 |
| 119a | 12450010 | INJECTOR GN FGG 1.12 |
| 119b | 12450013 | INJECTOR GPL FGG 0.75 |
| 120a | 12191110 | EXTENSION CHIMNEY (until 02/09/12) |
| 120b | 12193230 | EXTENSION CHIMNEY (from 03/09/12) |
| 121 | 12430000 | BOTTOM GAS BURNER |
| 122 | 12430010 | GRILL GAS BURNER |
| 123a | 12420060 | GAS CONNECTION PIPE (until 24/02/08) |
| 123b | 12420070 | GAS CONNECTION PIPE (from 25/02/08) |
| 124 | 11410310 | ½ G CONICAL UNION ELBOW |
| 125 | 11410140 | GASKET |
| 126 | 12420050 | BOTTOM GAS BURNER PIPE |
| 127 | 12420040 | GRILL GAS BURNER PIPE |
| 128 | 12542010 | THERMOCOUPLE |
| 129 | 12550010 | GAS IGNITION BULB |
| 131 | 12540470 | INDICATOR LAMP |
| 132 | 11550410 | GENERATOR AT 2U 110-240V 50/60Hz |
| 133a | 42105221 | BOTTOM GAS SOLE BURNER (until 26/07/15) |
| 133b | 42105441 | BOTTOM GAS SOLE BURNER (from 27/07/15) |
| 156 | 12541540 | COMMUTATOR (from 01/11/12) |
| 177 | 42705001 | FRONT WALL MUFFLE (from 24/03/14) |

SELECTOR
12.540.480

MOD.: G60S/(-)GG310T



WIRING COD. 42.750.113

LEGEND

- 1- Supply terminal
- 2- Selector
- 3- Lighter
- 4- Oven light
- 5- Pilot lamp
- 6- Cooling fan motor
- 7- Cooling fan switch
- 8- Lighter switch
- 9- Rotating spit motor (Optional)
- 10- Pilot lamp selector
- K1- Earth appliance
- K2- Earth rotating spit motor (Optional)
- K3- Earth lamp holder



C2511SS

Capele Single GAS Oven Stainless Steel