

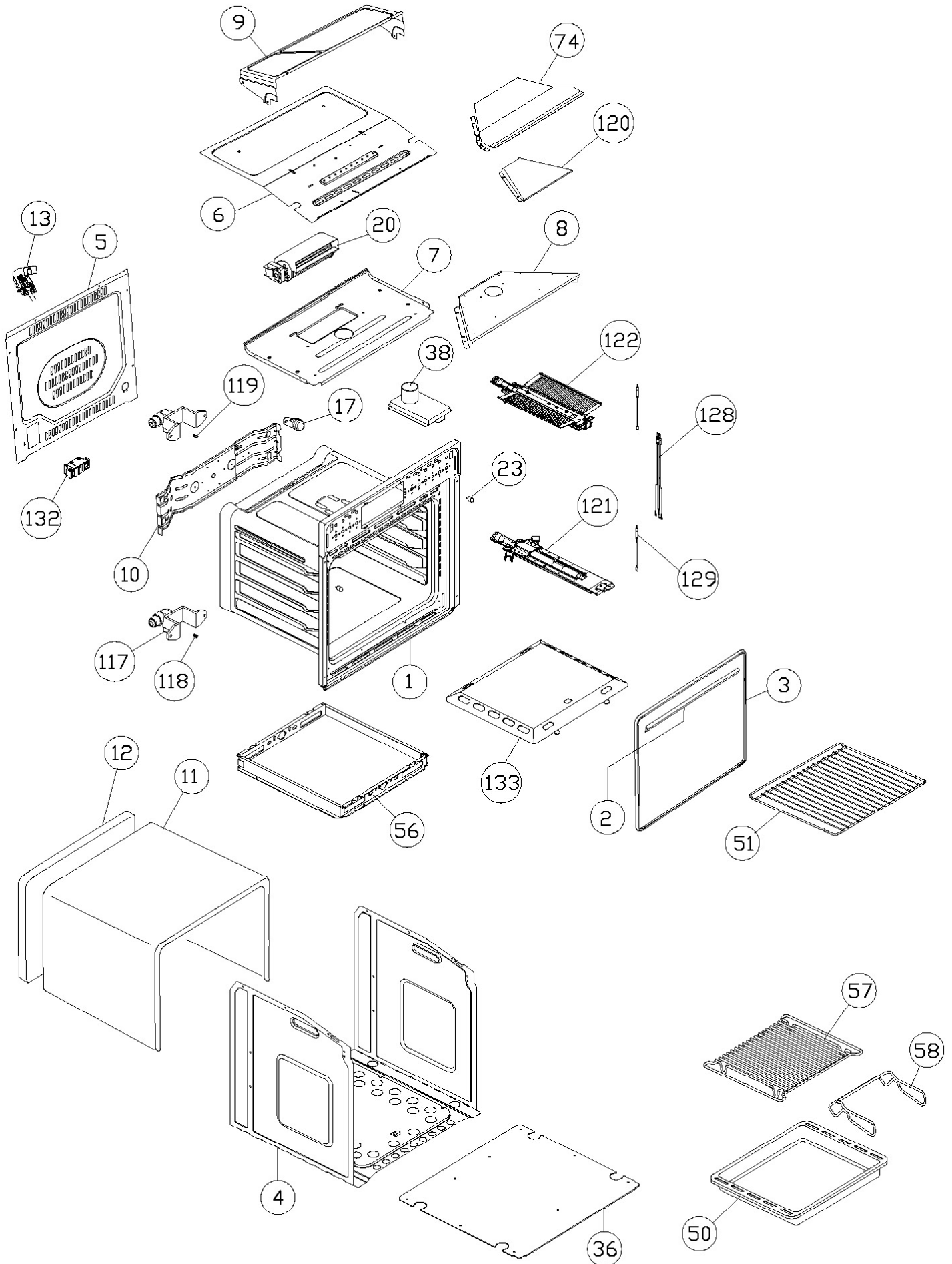


C2500SS

Caple single gas oven



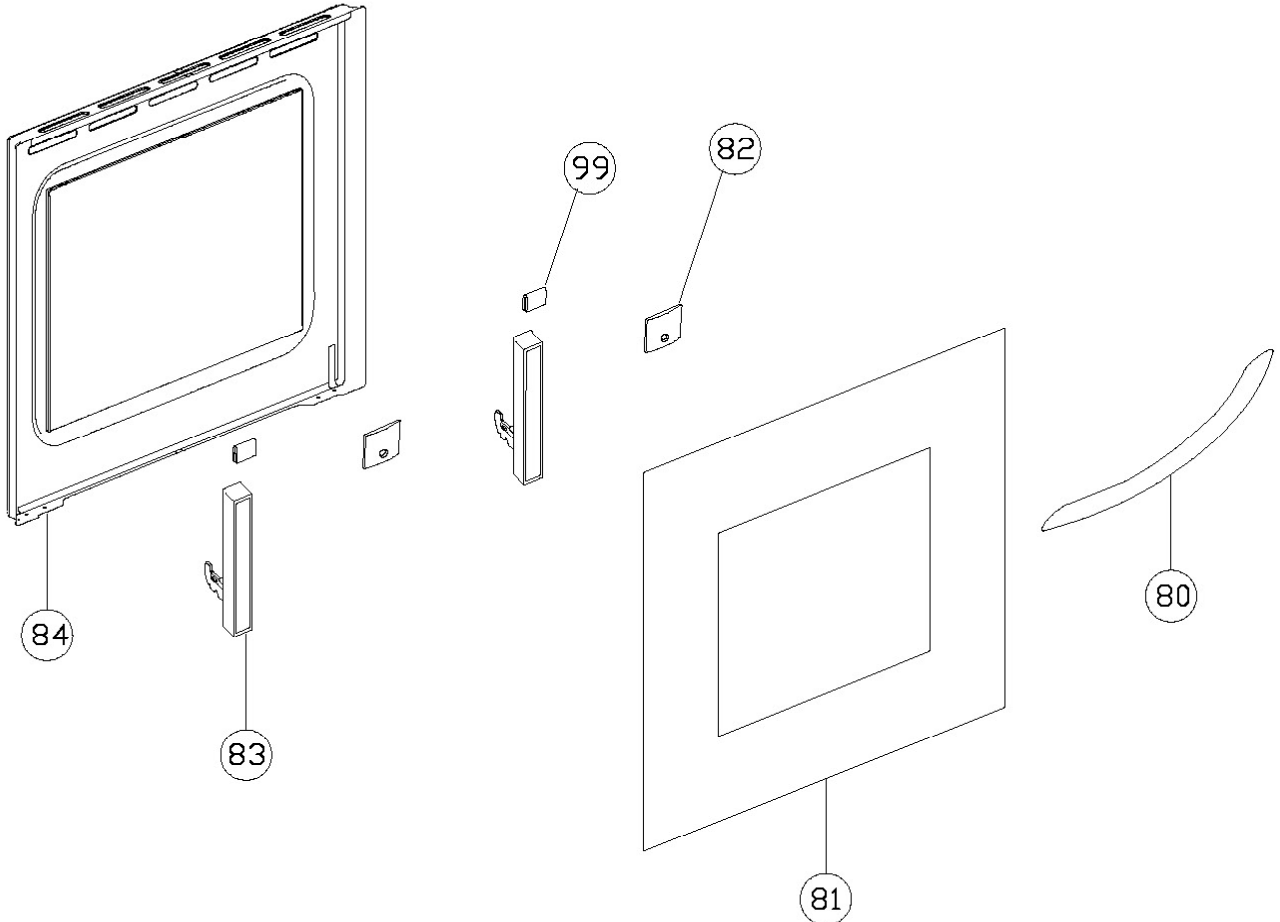
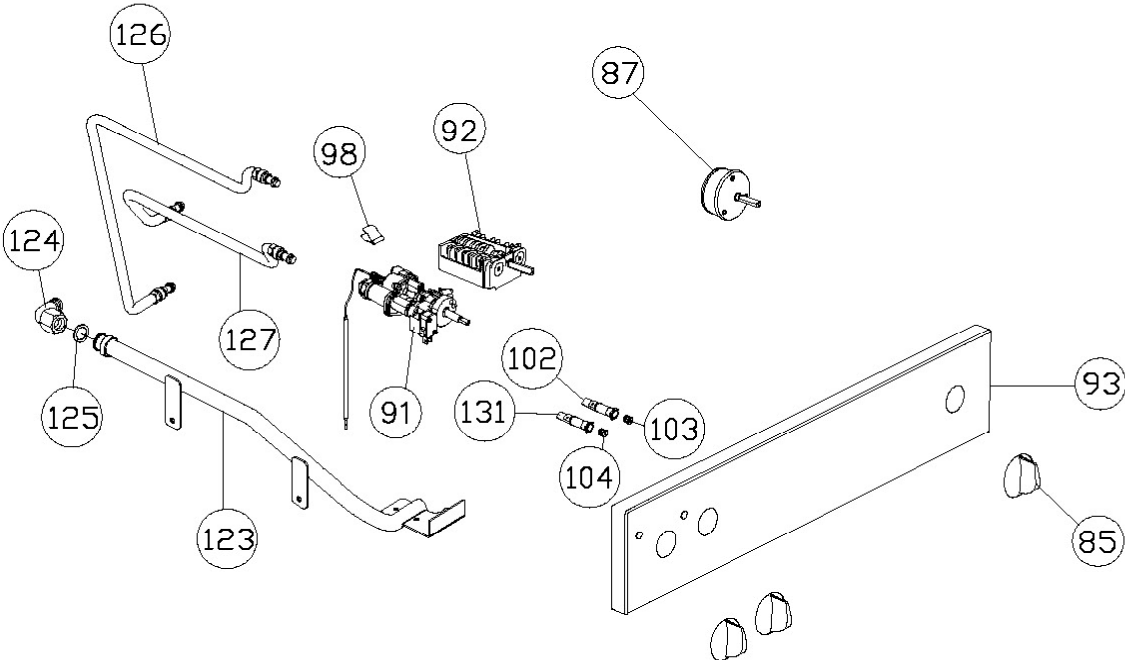
Technical information





C2500SS

Capele single gas oven





C2500SS - Caple single gas oven

Item	Part Code	Description
1	42700301	MUFFLE
2	12380060	MUFFLE GASKET
3	12380050	MUFFLE GASKET
4	12110640	OUTER SHIELD
5	12110080	BACK SHIELD
6	12110670	TOP SHIELD
7	12110700	LOWER AIR CONVEYOR FG60
8	12110710	UPPER AIR CONVEYOR FG60
9	12110680	CONTROLS SHIELD COVERING
10a	12190020	SUPPORT BAR (until 23/03/11)
10b	12192660	SUPPORT BAR (from 24/03/11)
11	12380450	FIBERGLASS SHELL
12	12380430	FIBERGLASS REAR
13	12530000	TERMINAL BLOCK/FASTEN CABLE 16A
17	12540002	LAMP SOCKET 25W T300 230/240V
20	12590022	COOLING FAN
23	11380500	EPDM H.6 CRYSTAL SPACER
36	12110660	BOTTOM SHIELD
38a	12191060	EXHAUSTING GAS CHIMNEY (until 19/11/08)
38b	12701410	EXHAUSTING GAS CHIMNEY (from 20/11/08)
50a	42105121	*TRAY F60 H30 BLACK (until 03/02/11)
50b	42105291	TRAY F60 H30 BLACK (from 04/02/11)
51	12200010	SHELF
56a	12110650	BURNING FRAME (until 31/03/07)
56b	12111110	BURNING FRAME (from 01/04/07)
57	12200090	GRILL PAN SHELF
58	12200100	DOUBLE HANDLE GRILL PAN
74	12110720	UNIVERSAL TANGENTIAL CONVEYOR F60
80	12220024	HANDLE MOD102
81	42712327	GLASS DOOR
82	12190140	PLAQUE FIX.HANDLE BLACK
83	12600000	OVEN HINGE
84a	42710070	INNER DOOR (until 15/03/09)
84b	42710460	INNER DOOR (from 16/03/09)
85	11741801	KNOB
87	12600010	TIMER 60' CD360 T125
91a	12730030	VALVE THERMOSTAT (until 24/02/08)
91b	12730070	VALVE THERMOSTAT (from 25/02/08)
92	12540480	COMMUTATOR
93a	42163890	CONTROL PANEL (until 31/12/10)
93b	12162634	CONTROL PANEL (from 01/01/11)
98	12280230	SPRING FOR THERMOSTAT BULB
99a	12380090	RUBBER FOOT FOR HINGE (until 15/03/09)
99b	12380650	RUBBER FOOT FOR HINGE (from 16/03/09)



C2500SS - Caple single gas oven

Item	Part Code	Description
102	12540130	INDICATOR LAMP
103	12540140	RED LIGHT CAP
104	12540141	YELLOWGREEN LIGHT CAP
117	12410020	INJECTOR SUPPORT
118a	12450000	INJECTOR GN FGS 1.13
118b	12450003	INJECTOR GPL FGS 0.76
118c	12450010	INJECTOR GN FGG 1.12
119	12450013	INJECTOR GPL FGG 0.75
120	12191110	EXTENSION CHIMNEY
121	12430000	BOTTOM GAS BURNER
122	12430010	GRILL GAS BURNER
123a	12420000	GAS COLLECTION PIPE (until 14/06/06)
123b	12420060	GAS CONNECTION PIPE (from 15/06/06 until 24/02/08)
123c	12420070	GAS CONNECTION PIPE (from 25/02/08)
124	11410310	½ G CONICAL UNION ELBOW
125	11410140	GASKET
126	12420050	BOTTOM GAS BURNER PIPE
127	12420040	GRILL GAS BURNER PIPE
128	12542010	THERMOCOUPLE
129	12550010	GAS IGNITION BULB
131	12540470	INDICATOR LAMP
132	11550410	GENERATOR AT 2U 110-240V 50/60Hz
133	42105221	BOTTOM GAS BURNER