



# C2480

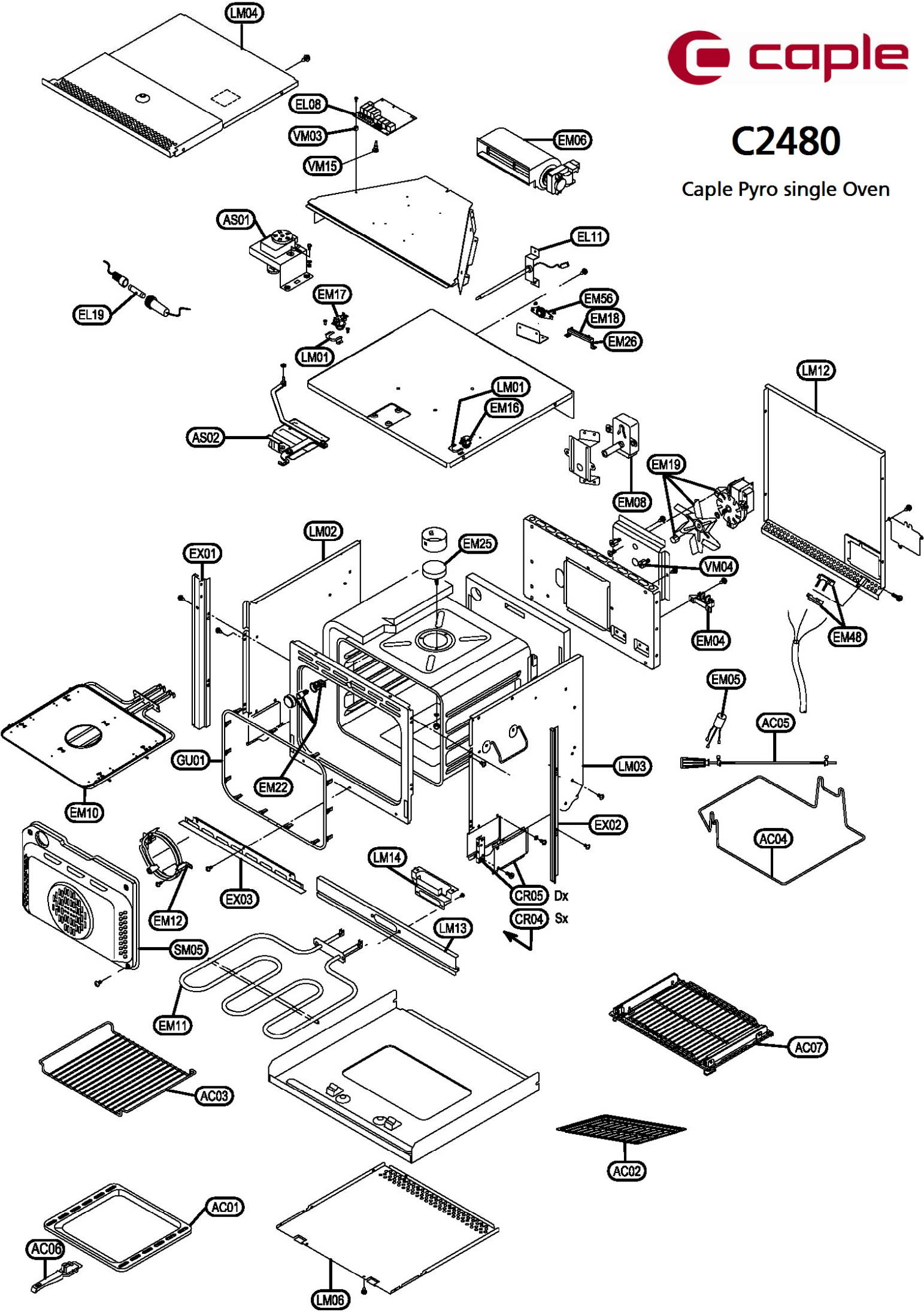
## Caple Pyro single Oven

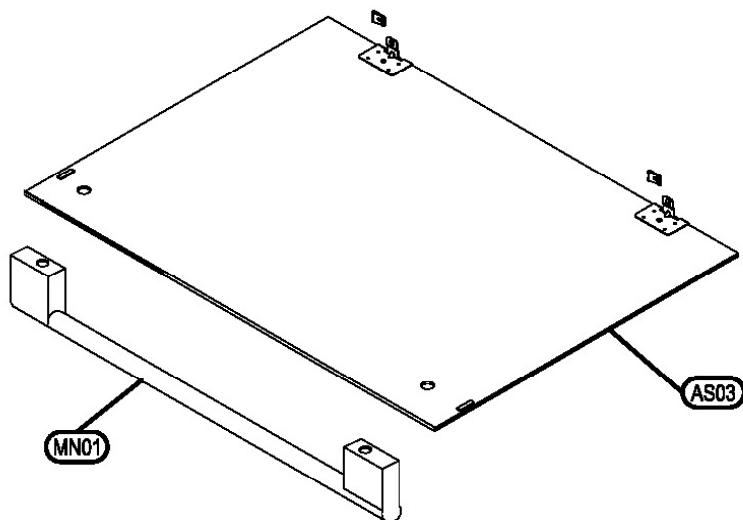
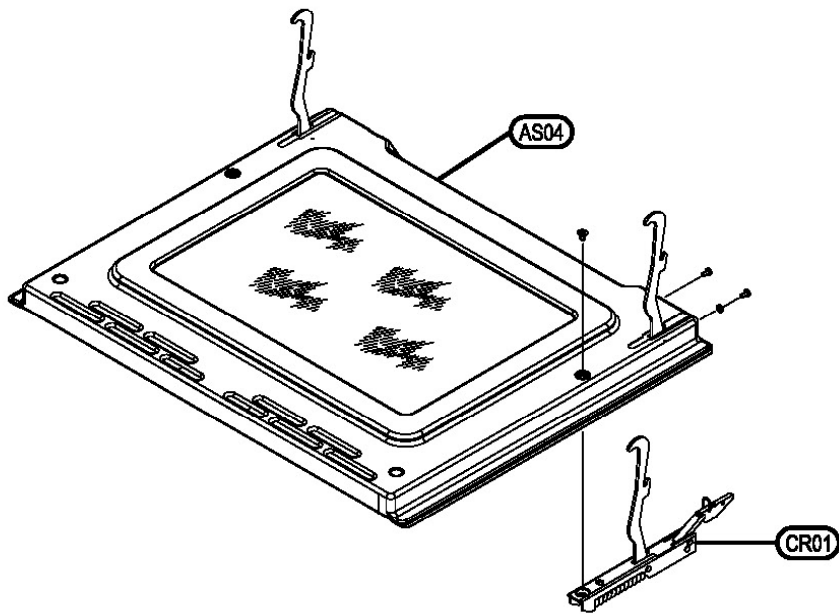
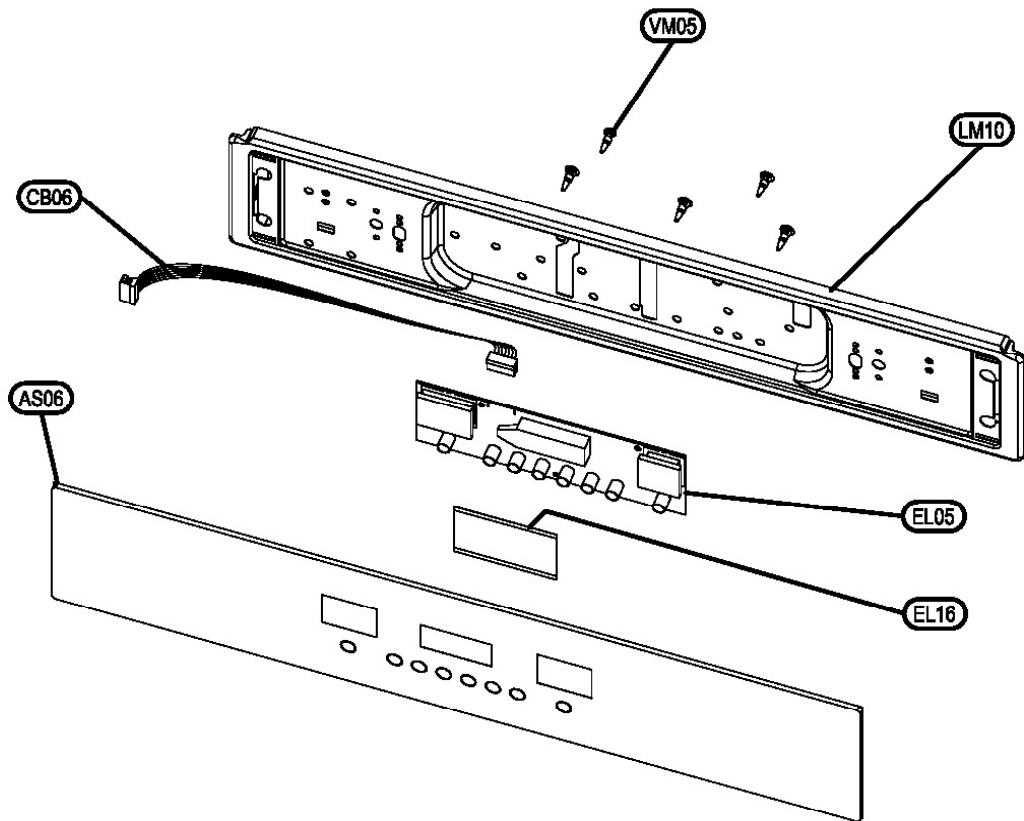


### Technical information

# C2480

Caple Pyro single Oven







## C2480 - Caple Pyro single oven

Item	Part Code	Description
1	M08485L2	WIRING OVEN XL
AC01	SF0866393	PAN, ENAMELED
AC02	SF3942P93	ANTISPLASH SHIELD
AC03	S666370	CHROMED RACK OVEN 60000
AC04	2589	SPIT SUPPORT FOR MULTIFUNCTION MODEL
AC05	42090001	KIT SPIT ROD
AC06	2098	HANDLE FOR ENAMELED PAN
AC07	S764070	TELESCOPIC RACK ASSEMBLY FOR OVEN 60 CAVITY CHROMIUM
AS01	ASS5578EU	ASSEMBLY DOOR LOCKING
AS02	S0856300	DOOR LOCKING DEVICE
AS03	AF08504X08885	ASSEMBLY DOOR GLASS WIT LOGO
AS04	G81S	OVEN DOOR BASE ASSEMBLY
AS06	AS08505RA08508	ASS. CONTROL PANEL GLASS BLACK-IX XL MH02
CB06	M823600	WIRING OVEN XL P.BOARD -DISPLAY BOARD
CR01	03XXCEFV11	OVEN DOOR HINGE
CR04	ASS666900S	HINGE LEFT SUPPORT ASSEMBLY OVEN 60/27"
CR05	ASS666900D	HINGE RIGHT SUPPORT ASSEMBLY
EL05	05EC4602	DISPLAY BOARD "XL" ATHENA
EL08	05EC4202A	POWER BOARD "XL" PYRO ATHENA
EL11	ASS42750004	TEMPERATURE PROBE (FOR EMROP CONTROL)
EL16	817811	BLUE FILTER FOR DISPLAY
EL19	M0864100	FUSE 12A R FOR FUSE HOLDER
EM04	05EBFV273	TERMINAL BLOCK
EM05	05DMFC72162	DELTA FILTER
EM06	05XXMOTA6018E	COOLING FAN 60/180 230V
EM08	05EV312N	SPIT MOTOR 230V 50/60HZ 4W
EM10	ASS19154Q-2	HEATER ELEMENT ASSEMBLY
EM11	05IR897621-2	BOTTOM ELEMENT 2100W 240V
EM12	05IRR05658-2	RING ELEMENT 2500 W 240 V
EM16	05EH2630511	THERMOSTAT, FIXED TEMPERATURE 70°C
EM17	05KX16105	THERMOSTAT OVEN 16A-105°C
EM18	05XXRE800030	RESISTOR 800 OHM 30W
EM19	05XXMORAPI	MOTOR FAN RADIAL 220/240V 24/28W WITH FAN AND NUT
EM22	05XXPORLAPI02	LAMP HOLDER WITH BULB
EM25	05XXCAT80	CATALYST 80000
EM26	05XXSURE30	RESISTOR SUPPORT
EM48	03SI35101300	CABLE CLAMP (1 PIECE)
EM56	05KX16155	THERMOSTAT OVEN 16A-155°C
EX01	2182LFBL	SUPPORT LEFT SIDE, BLACK
EX02	2182RGLB	SUPPORT RIGHT SIDE, BLACK



## C2480 - Caple Pyro single oven

Item	Part Code	Description
LM01	1599	THERMOSTAT BRACKET
LM02	2175USLFA	LEFT SIDE COVER UL
LM03	2175USRG	RIGHT SIDE COVER UL
LM04	WH3162	UP COVER
LM06	2177-1	LOWER COVER
LM10	S813819	SUPPORT CONTROL PANEL OVEN 60CM BLACK
LM12	2179	REAR COVER
LM13	2186-2	TRIM SUPPORTING DOWN ELEMENT
LM14	2614	BRACKET FIXING LOWER HEATING ELEMENT
MN01	HAS0849779	HANDLE STAINLESS STEEL OVEN 60CM.
SM05	SF0896193	FAN CARTER
VM03	586600	SPACER FOR ELECTRONIC CONTROL
VM04	2215	SCREW (FAN MOTOR)
VM05	05RCCRLCBSR61	SPACER FOR DISPLAY BOARD
VM15	05RCCRLCBSR51	SPACER DISPLAY