



C2470SS

Caple Single Multi.f Oven

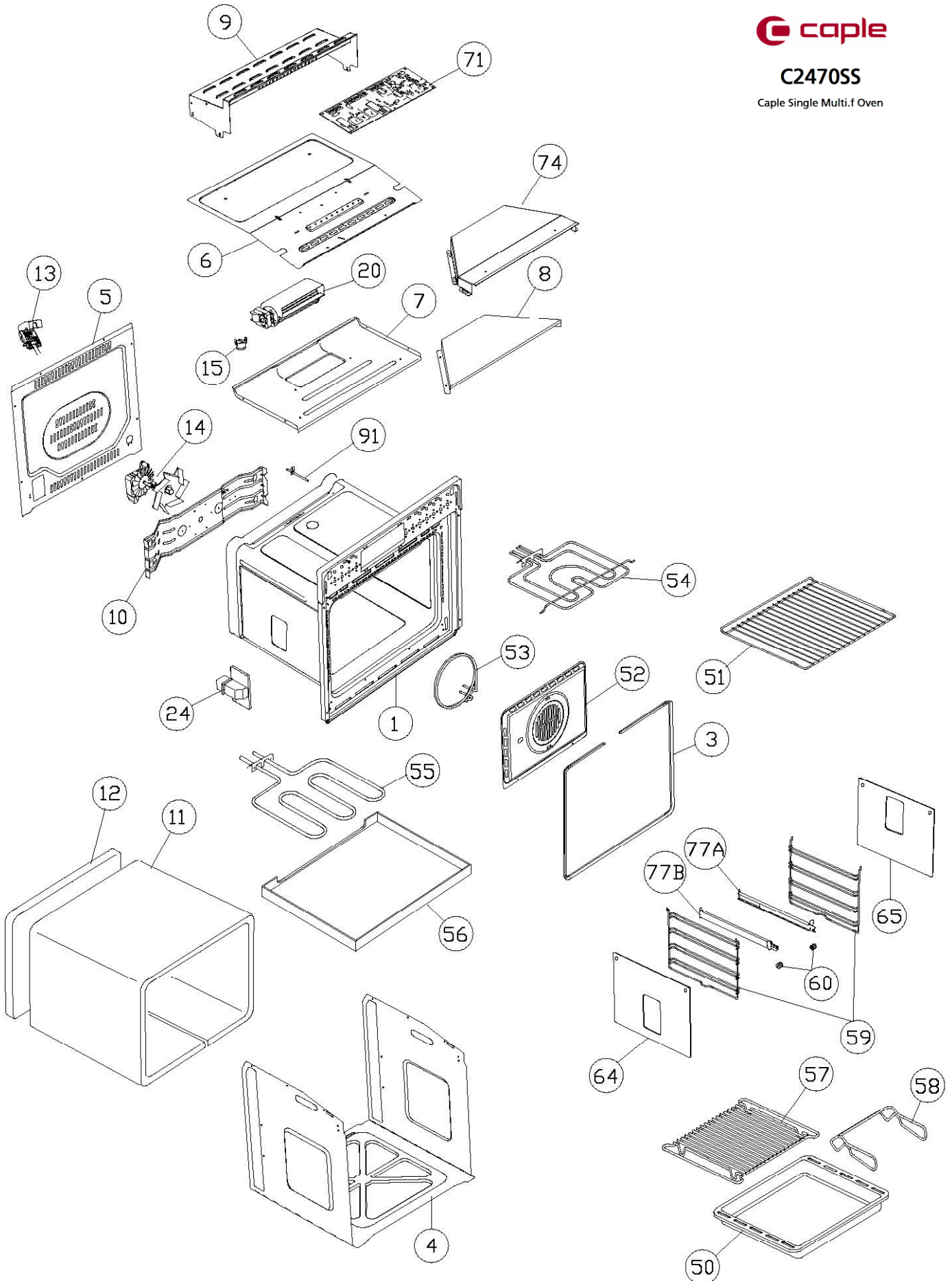


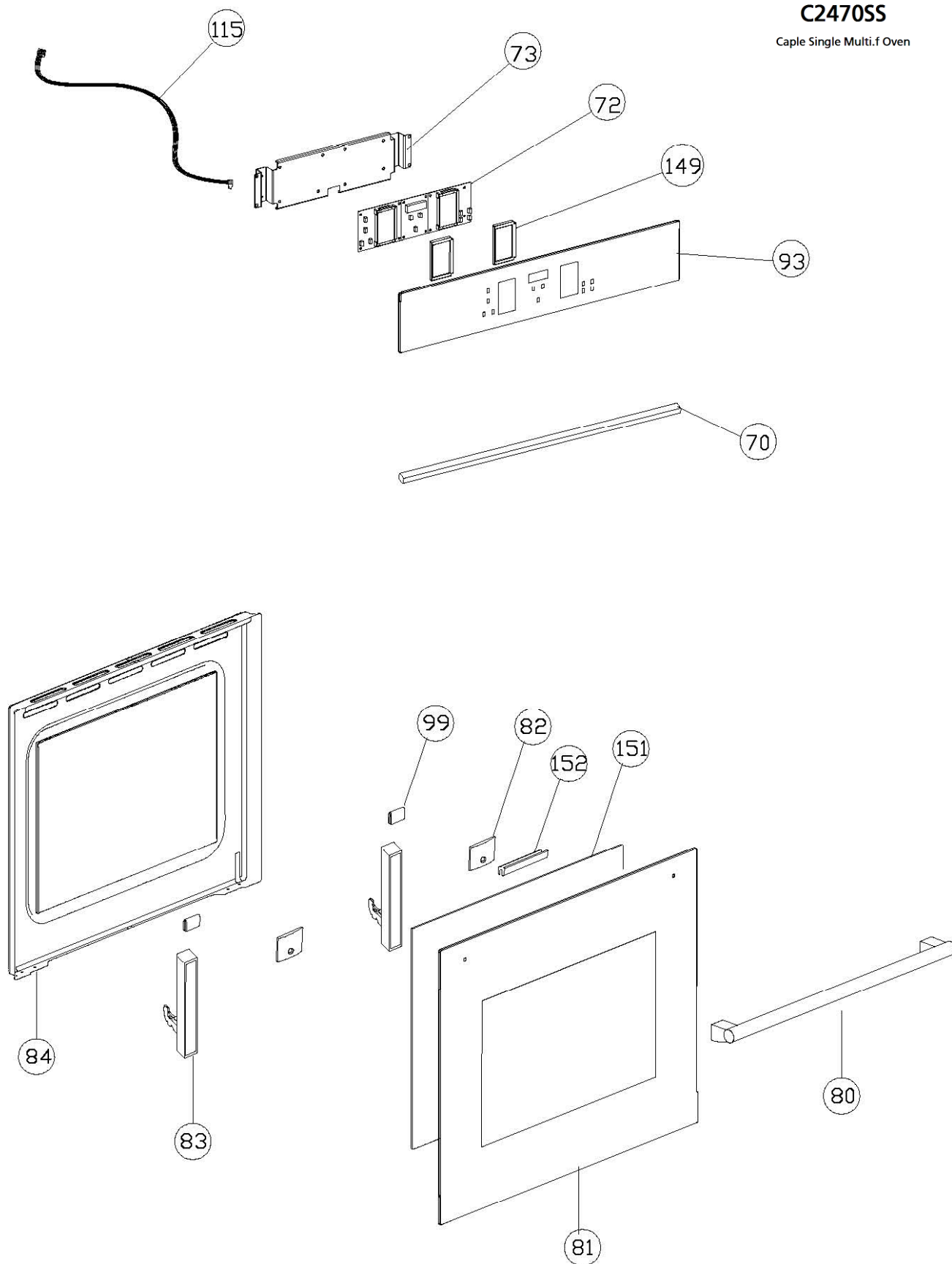
Technical information



C2470SS

Caple Single Multi.f Oven







C2470SS - Caple Single Multi.f Oven SS

Item	Part Code	Description
1a	42700452	MUFFLE (until 28/01/10)
1b	42700622	MUFFLE (from 29/01/10)
3a	12380410	MUFFLE GASKET (until 15/01/08)
3b	12380700	MUFFLE GASKET (from 16/01/08)
4	12110000	OUTER SHIELD
5	12110080	BACK SHIELD
6	12110010	TOP SHIELD
7a	12110100	LOWER AIR CONVEYOR F60 (until 17/11/08)
7b	12110700	LOWER AIR CONVEYOR FG60 (from 18/11/08)
8	12110840	UPPER AIR CONVEYOR F60
9	12110390	CONTROLS SHIELD COVERING
10a	12190020	SUPPORT BAR (until 23/03/11)
10b	12192660	SUPPORT BAR (from 24/03/11)
11a	12380100	FIBERGLASS SHELL (until 28/01/10)
11b	12380790	FIBERGLASS SHELL (from 29/01/10)
12	12380480	FIBERGLASS REAR
13	12530000	TERMINAL BLOCK/FASTEN CABLE 16A
14	12590030	RADIAL FAN
15a	12540330	SAFETY THERMOSTAT PRESET T140°C (until 12/10/08)
15b	12540941	SAFETY THERMOSTAT PRESET T140°C (from 13/10/08)
20a	12590060	COOLING FAN (until 16/01/08)
20b	12590090	COOLING FAN (from 17/01/08)
24	12540050	RECTANGULAR LAMP SOCKET 25W 230/240V (until 28/01/10)
24	12540950	RECTANGULAR LAMP SOCKET 25W 230/240V (from 29/01/10)
50	42105125	*TRAY F60 H30 WHITE SPOTTED BLACK ENAMEL
51	12200230	SHELF
52	42105083	FAN COVER SELF-CLEANING
53	12570030	CIRCULAR HEATING ELEMENT 2300W
54	12570010	UPPER HEATING ELEMENT 1000/1200
55	12570000	BOTTOM HEATING ELEMENT 1100W
56	12190030	FASTENER BOTTOM HEATING ELEMENT
57	12200090	GRILL PAN SHELF
58	12200100	DOUBLE HANDLE GRILL PAN
59	12200000	SMOOTH SIDE OVEN's SIDE RACK
60	12280020	PAWL FOR LAT.PAN SUPPORT
64a	42105021	PANEL SELF-CLEANING LEFT (until 28/01/10)
64b	42105251	PANEL SELF-CLEANING LEFT (from 29/01/10)
65a	42105031	PANEL SELF-CLEANING RIGHT (until 28/01/10)
65b	42105241	PANEL SELF-CLEANING RIGHT (from 29/01/10)
70	12380280	ADHESIVE GASKET
71	12540790	POWER BOARD
72	12540530	DISPLAY BOARD
73	12191810	DISPLAY BOARD FASTENER FRAME
74	12110720	UNIVERSAL TANGENTIAL CONVEYOR F60



C2470SS - Caple Single Multi.f Oven SS

Item	Part Code	Description
77a	12600170	RIGHT PARTIAL EXTRACTION SIDE RACK Q4
77b	12600180	LEFT PARTIAL EXTRACTION SIDE RACK Q4
80a	12740440	HANDLE MOD115 (until 21/06/10)
80b	12740600	HANDLE SENSEHAN1 (from 22/06/10)
81	42712525	GLASS DOOR
82	12190140	PLAQUE FIX.HANDLE BLACK
83	12600110	OVEN HINGE
84	42710291	INNER DOOR
91	12540760	NTC PROBE
93	42715388	FRONTAL GLASS
99a	12380500	RUBBER FOOT FOR HINGE (until 15/03/09)
99b	12380650	RUBBER FOOT FOR HINGE (from 16/03/09)
115	12750071	CABLE DISPLAY/POWER BOARD
149	12300250	LCD LIGHT SHADE
151	12321392	3rd INNER GLASS THERMO REFLECTIVE
152	12191370	3rd GLASS FRAME FASTENER INOX