



C2361

Caple Single Oven

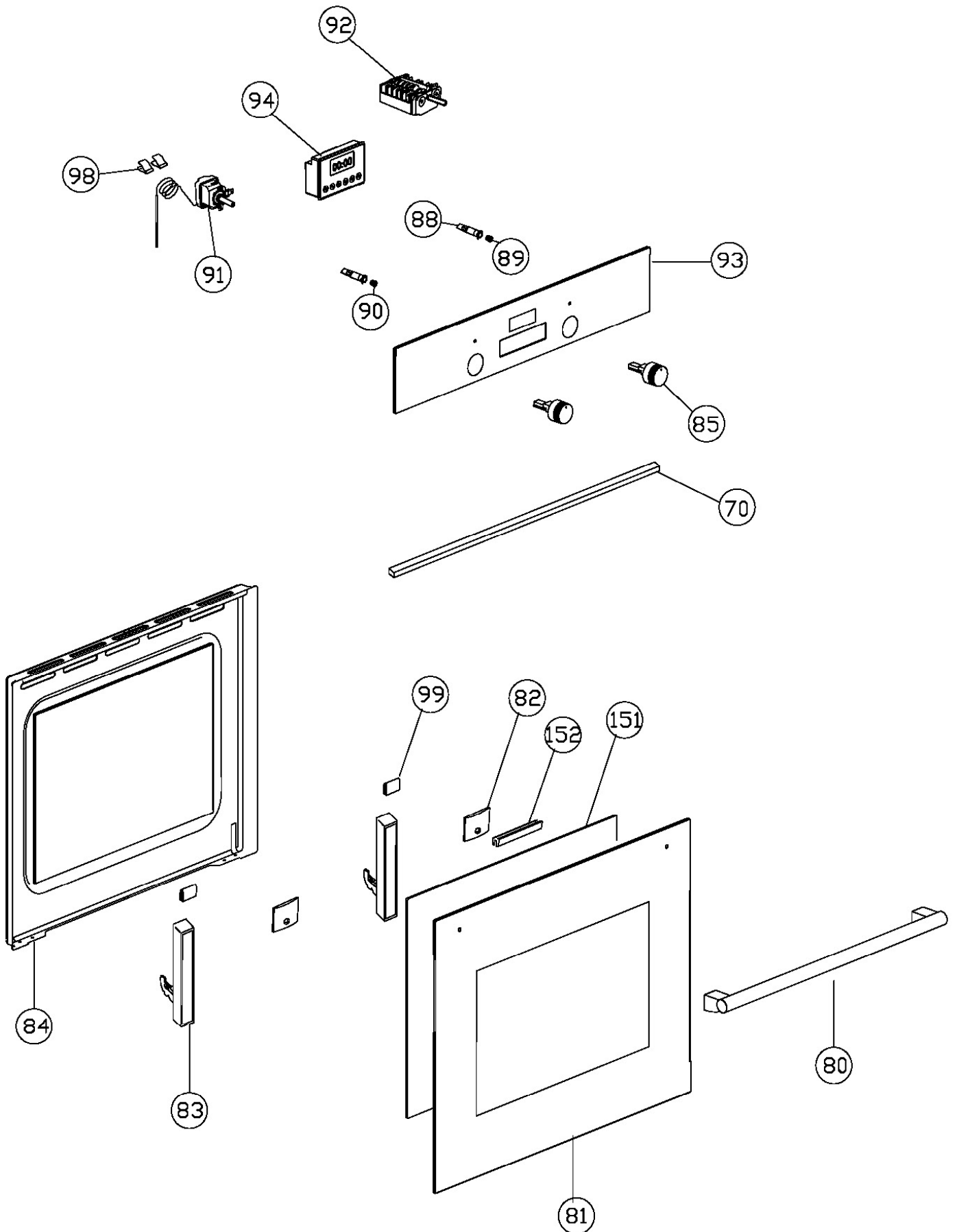


Technical information



C2361

Caple Single Oven





C2361 - Caple single oven

Item	Part Code	Description
1a	42700452	MUFFLE (until 28/01/10)
1b	42700622	MUFFLE (from 29/01/10 until 23/03/14)
1c	42703372	MUFFLE (from 24/03/14)
3a	12380410	MUFFLE GASKET (until 15/01/08)
3b	12380700	MUFFLE GASKET (from 16/01/08 until 23/03/14)
3c	12382140	MUFFLE GASKET (from 24/03/14)
4	12110000	OUTER SHIELD
5	12110080	BACK SHIELD
6	12110990	TOP SHIELD
7a	12110100	LOWER AIR CONVEYOR F60 (until 17/11/08)
7b	12110700	LOWER AIR CONVEYOR FG60 (from 18/11/08 until 19/06/11)
7c	12112290	LOWER AIR CONVEYOR FG60 (from 20/06/11 until 24/05/12)
7d	12112510	LOWER AIR CONVEYOR FG60(from 25/05/12)
8	12110840	UPPER AIR CONVEYOR F60
9	12110390	CONTROLS SHIELD COVERING
10a	12190020	SUPPORT BAR (until 23/03/11)
10b	12192660	SUPPORT BAR (from 24/03/11)
11a	12380100	FIBERGLASS SHELL (until 28/01/10)
11b	12380790	FIBERGLASS SHELL (from 29/01/10)
12	12380480	FIBERGLASS REAR
13	12530000	TERMINAL BLOCK/FASTEN CABLE 16A
14a	12590030	RADIAL FAN (until 09/10/11)
14b	12590190	RADIAL FAN (from 10/10/11)
15a	12540330	SAFETY THERMOSTAT PRESET T140°C (until 12/10/08)
15b	12540941	SAFETY THERMOSTAT PRESET T140°C (from 13/10/08)
16a	12540150	SAFETY THERMOSTAT PRESET T65°C (until 12/10/08)
16b	12540930	SAFETY THERMOSTAT PRESET T65°C (from 13/10/08)
20	12590060	TANGENTIAL COOLING FAN
24a	12540050	RECTANGULAR LAMP SOCKET 25W 230/240V (until 28/01/10)
24b	12540950	RECTANGULAR LAMP SOCKET 25W 230/240V (from 29/01/10)
50a	42105125	*TRAY F60 H30 WHITE SPOTTED BLACK ENAMEL (until 15/06/11)
50b	42105295	TRAY F60 H30 WHITE SPOTTED BLACK ENAMEL (from 16/06/11)
51	12200230	SHELF
52	42105083	FAN COVER SELF-CLEANING
53	12570030	CIRCULAR HEATING ELEMENT 2300W
54	12570010	UPPER HEATING ELEMENT 1000/1200
55a	12570000	BOTTOM HEATING ELEMENT 1100W (until 12/07/15)
55b	12570390	BOTTOM HEATING ELEMENT 1100W (from 13/07/15)
56a	12190030	FASTENER BOTTOM HEATING ELEMENT (until 23/06/15)
56b	12194240	FASTENER BOTTOM HEATING ELEMENT (from 24/06/15)
57	12200090	GRILL PAN SHELF
58a	12200100	DOUBLE HANDLE GRILL PAN (until 21/10/12)
58b	12200450	DOUBLE HANDLE GRILL PAN (from 22/10/12)
59	12200000	OVEN's SIDE RACK

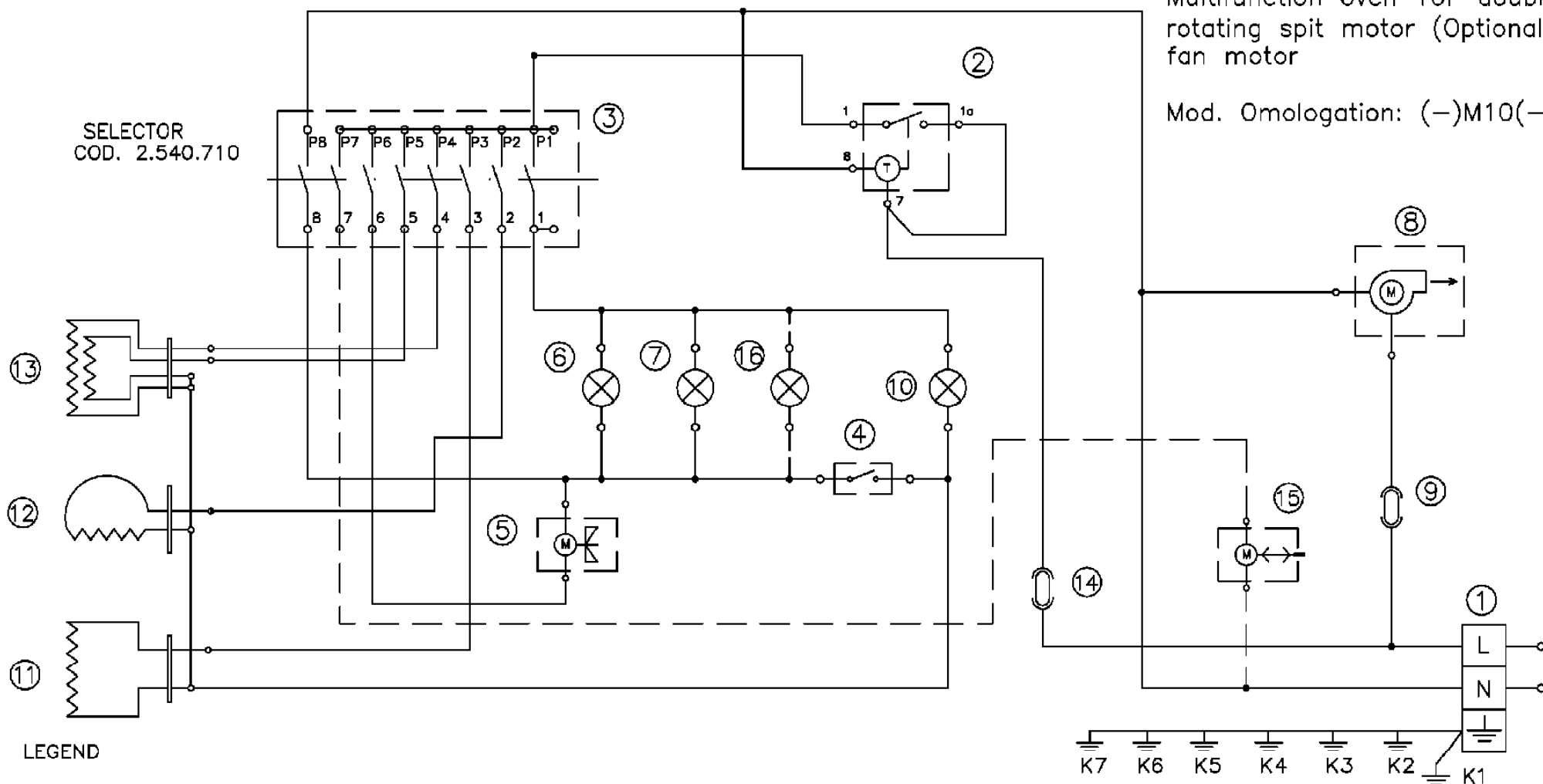


C2361 - Caple single oven

Item	Part Code	Description
60	12280020	PAWL FOR SIDE RACK
64a	42105021	PANEL SELF-CLEANING LEFT (until 28/01/10)
64b	42105251	PANEL SELF-CLEANING LEFT (from 29/01/10)
65a	42105031	PANEL SELF-CLEANING RIGHT (until 28/01/10)
65b	42105241	PANEL SELF-CLEANING RIGHT (from 29/01/10)
70a	12380280	ADHESIVE GASKET (from 10/05/15)
70b	08GS5X6	ADHESIVE RUBBER 5X6 (from 11/05/15)
74	12110720	UNIVERSAL TANGENTIAL CONVEYOR F60
77a	12600170	RIGHT PARTIAL EXTRACTION SIDE RACK Q4
77b	12600180	LEFT PARTIAL EXTRACTION SIDE RACK Q4
80a	12740440	HANDLE MOD115 (until 21/06/10)
80b	12740600	HANDLE SENSEHAN1 MAURICE LAY (from 22/06/10)
81	42712525	GLASS DOOR
82	12190140	PLAQUE FIX.HANDLE BLACK
83a	12600110	OVEN HINGE (from 08/11/12)
83b	12600430	OVEN HINGE (from 09/11/12)
84	42710291	INNER DOOR
85	12300391	KNOB
88	12540120	INDICATOR LAMP
89a	11540420	RED LIGHT CAP (until 04/10/09)
89b	11543380	SATINY RED LIGHT CAP (from 05/10/09)
90a	11540422	ORANGE LIGHT CAP (until 21/09/09)
90b	11543382	SATINY ORANGE LIGHT CAP (from 22/09/09)
91a	12540310	THERMOSTAT (until 13/04/09)
91b	12541080	THERMOSTAT (from 14/04/09)
92a	12540710	COMMUTATOR (until 06/07/14)
92b	12541770	COMMUTATOR (from 07/07/14)
93	42715381	FRONTAL GLASS
94	12540802	BLU ELECTRONIC TIMER TOUCH
98	12280000	SPRING FOR THERMOSTAT BULB
99a	12380500	RUBBER FOOT FOR HINGE (until 15/03/09)
99b	12380650	RUBBER FOOT FOR HINGE (from 16/03/09)
151	12321392	3rd INNER GLASS THERMO REFLECTIVE
152	12191370	3rd GLASS FRAME FASTENER INOX
177	42705022	FRONT WALL MUFFLE (from 24/03/14)

Multifunction oven 10F double-phase + rotating spit motor (Optional) + cooling fan motor

Mod. Omologation: (-)M10(-)TE



LEGEND

- 1- Supply terminal
- 2- Electronic timer
- 3- Selector
- 4- Oven thermostat
- 5- Fan motor
- 6- Pilot lamp selector
- 7- Oven light
- 8- Cooling fan motor
- 9- Thermostat start cooling fan
- 10- Pilot lamp thermostat
- 11- Bottom heating element
- 12- Circular heating element
- 13- Upper+grill heating element
- 14- Thermal cut-out
- 15- Rotating spit motor (Optional)
- 16- Oven light (Optional)
- K1- Earth appliance
- K2- Earth fan motor
- K3- Earth rotating spit motor(Optional)
- K4- Earth upper heating element
- K5- Earth lamp holder
- K6- Earth lamp holder (Optional)
- K7- Earth thermostat



C2361SS

**Cape Single Multi-function Oven
Stainless Steel**