



# C2282

## Caple 48cm single oven



### Technical information



## C2282 - Caple 48cm single oven , Sense styling

# New product information sheet

**Product name:** Upside down oven

**Description:** Single built in touch control oven

**Product code:** C2282

### Features

Energy class A

Black glass

14 Functions:

- *light*
- *conventional heat*
- *top heat*
- *base heat*
- *eco grill*
- *full grill*
- *turbo grill*
- *turbo conventional heat*
- *fan heat*
- *base plus fan heat*
- *turbo defrost*
- *grill plus base heat*
- *boost*
- *clean*

58 Litre capacity

Black-spot Sense feature bar handle

Touch-screen programmable electronic timer

White spotted easy-to-clean black enamel interior

Closed door grilling

Tangential cooling fan

Smooth and flat oven sides with chrome shelf racks

Triple glazed door with heat reflective glass

Full width sealed inner door glass

2 Side interior lights

Self-cleaning catalytic liners





C2282 - Caple 48cm single oven , Sense styling

# New product information sheet

**Product name:** Upside down oven

**Description:** Single built in touch control oven

**Product code:** C2282

## Accessories

1 Safety-stop shelf

1 pair of telescopic shelf arms.

1 Grill pan with handle

1 Enamelled baking tray

Dual position telescopic shelving

Meat probe

## Electrical connection

Rated load 3.5kW

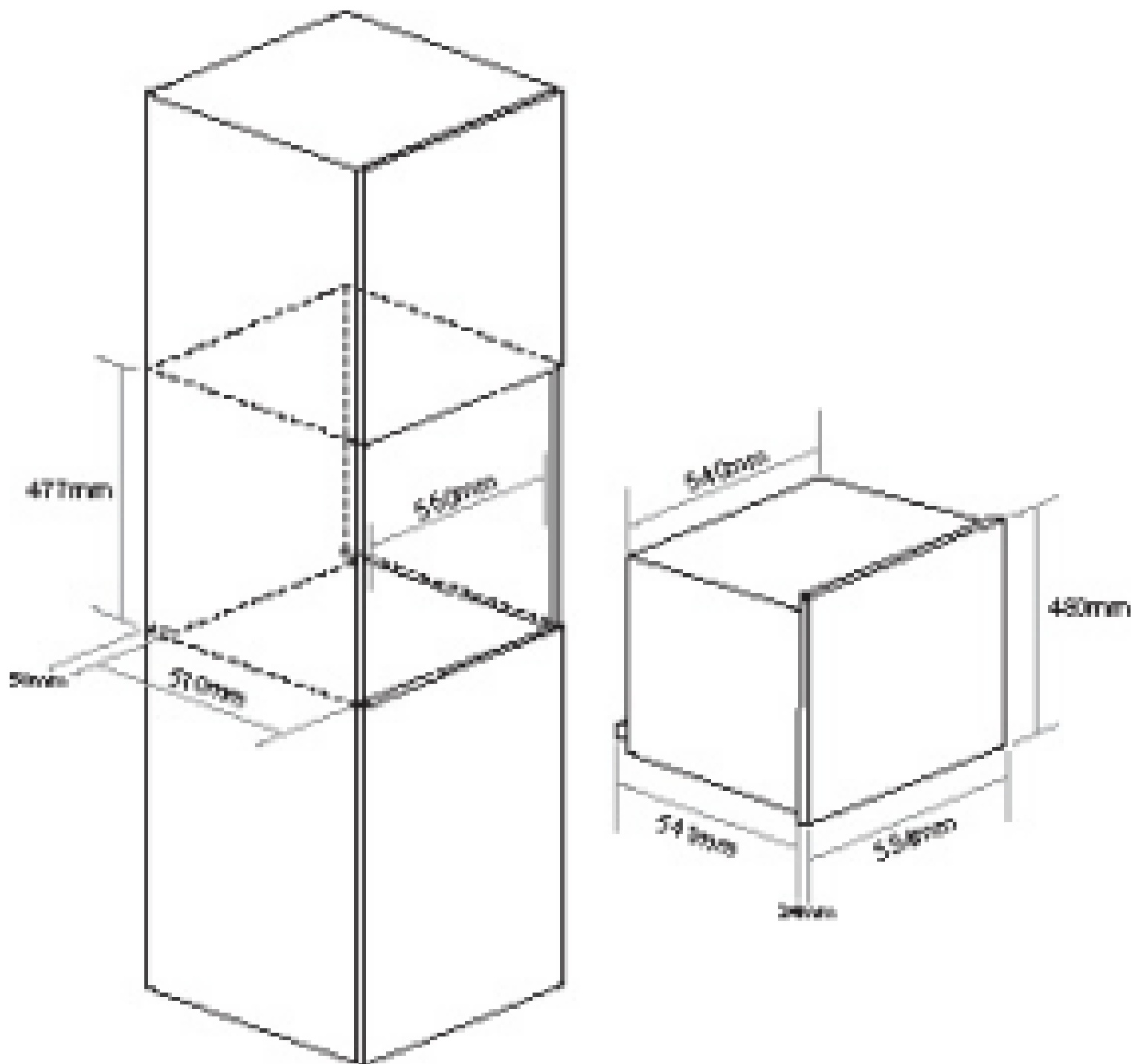
Fuse rating 20A





# C2282

Caple 48cm single oven  
Sense styling

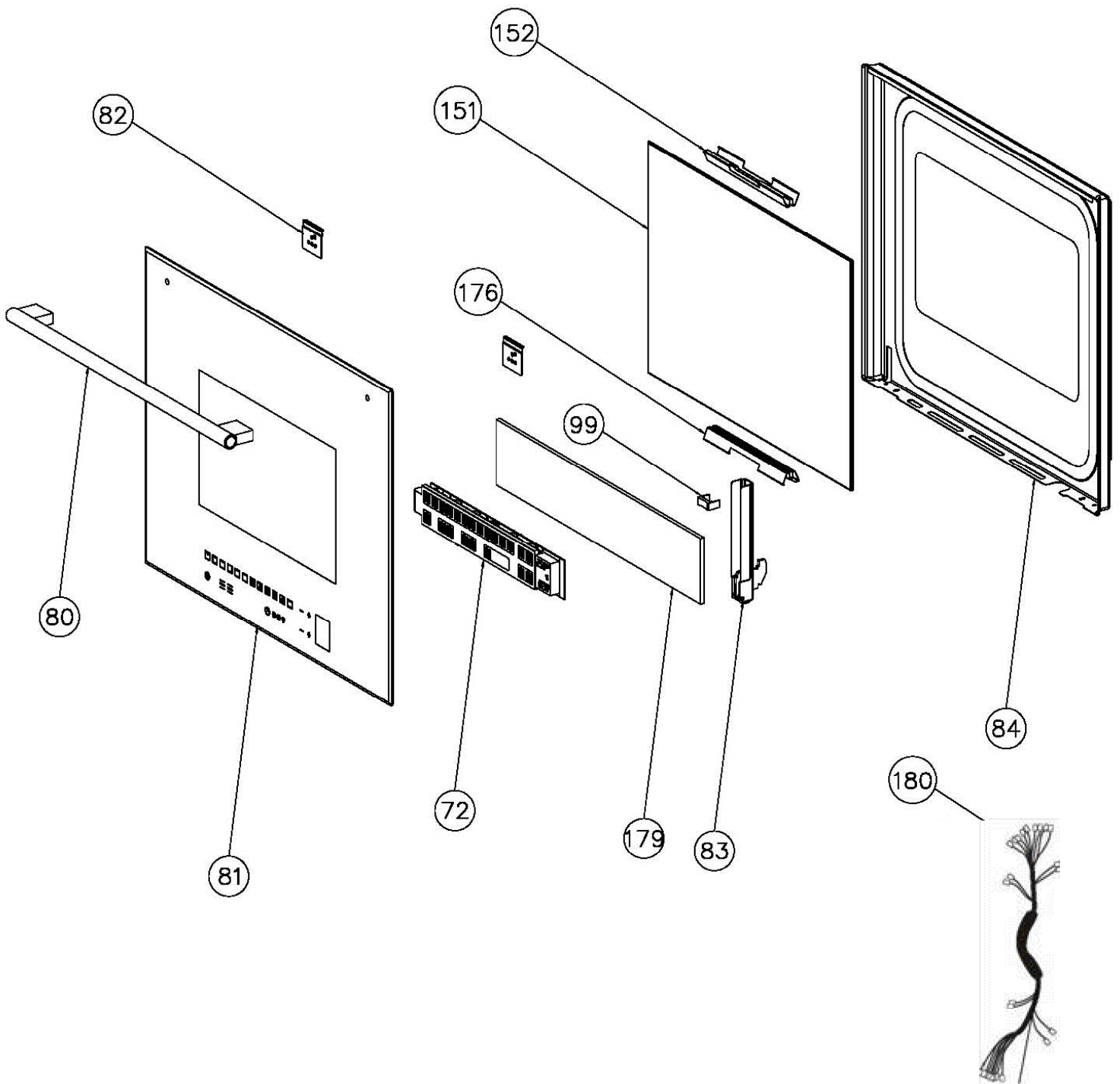






C2282

Caple 48cm single oven





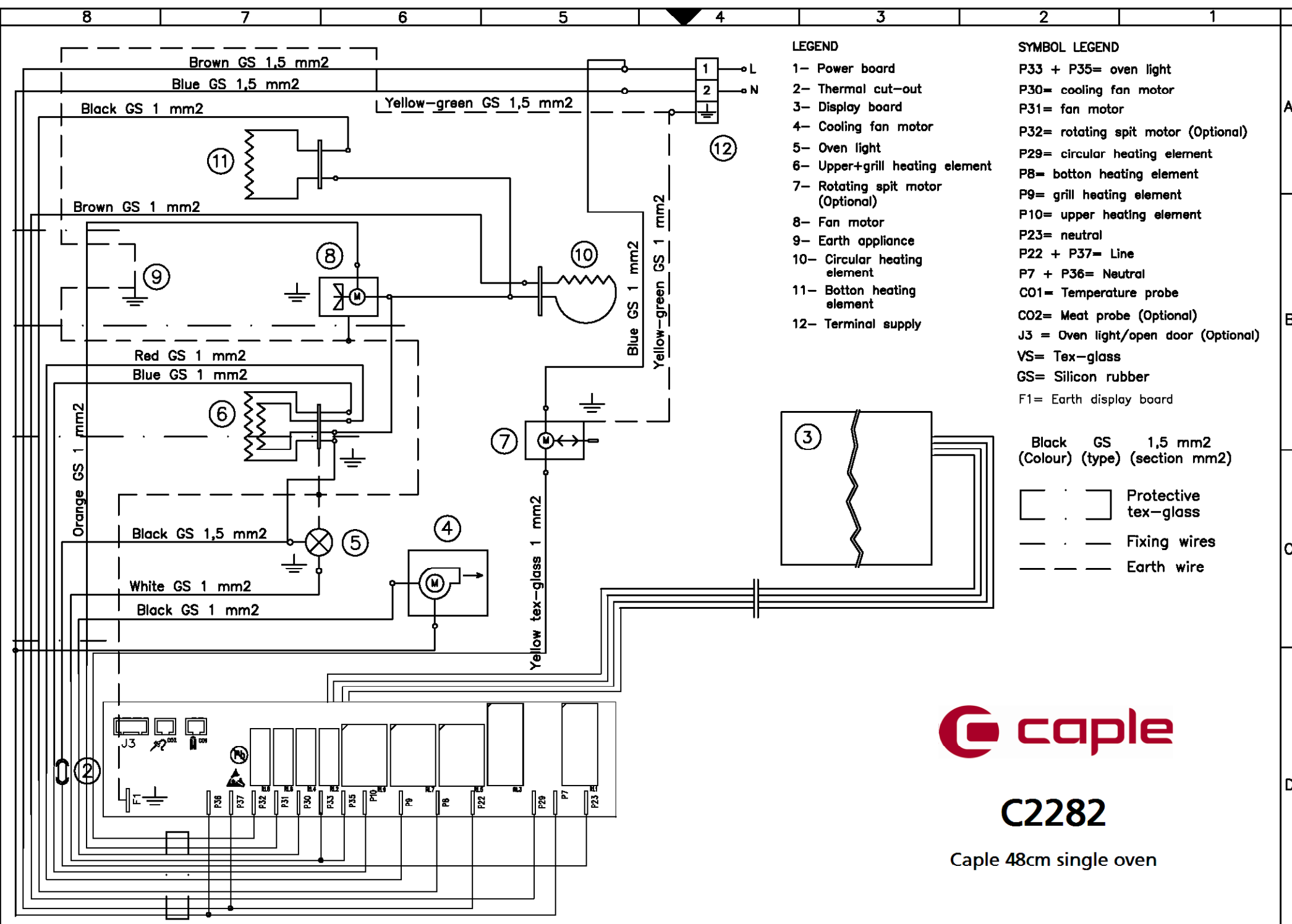
## C2282 - Caple 48cm single oven

Item	Part Code	Description
1a	42700672	MUFFLE (until 23/03/14)
1b	42703372	MUFFLE (from 24/03/14)
3a	12380700	MUFFLE GASKET (until 23/03/14)
3b	12382140	MUFFLE GASKET (from 24/03/14)
5	12111740	BACK SHIELD
7	12111760	LOWER AIR CONVEYOR
10a	12190020	SUPPORT BAR (until 23/03/11)
10b	12192660	SUPPORT BAR (from 24/03/11)
11	12380840	FIBERGLASS SHELL
12a	12380480	FIBERGLASS REAR (until 01/11/15)
12b	12382320	FIBERGLASS REAR (from 02/11/15)
13	12530000	TERMINAL BLOCK/FASTEN CABLE 16A
14a	12590030	RADIAL FAN (until 09/10/11)
14b	12590190	RADIAL FAN (from 10/10/11)
15	12540941	SAFETY THERMOSTAT PRESET T140°C
24	12540950	RECTANGULAR LAMP SOCKET 25W 230/240V
30a	12701510	BODY CENTER PILLAR (until 31/12/11)
30b	12701650	BODY CENTER PILLAR (from 01/01/12)
31a	12701500	BODY CENTER PILLAR (until 31/12/11)
31b	12701640	BODY CENTER PILLAR (from 01/01/12)
32a	12111790	LOWER DRIP PROFILE F48 INOX (until 31/12/11)
32b	12112430	LOWER DRIP PROFILE F48 INOX (from 01/01/12)
34	12111720	LEFT-RIGHT SIDE SHIELD
36	12111730	BOTTOM-TOP SHIELD
37	12590080	TANGENTIAL COOLING FAN
50a	42105125	*TRAY F60 H30 WHITE SPOTTED BLACK ENAMEL (until 15/06/11)
50b	42105295	TRAY F60 H30 WHITE SPOTTED BLACK ENAMEL (from 16/06/11)
51	12200230	SHELF
52	42105083	FAN COVER SELF-CLEANING
53	12570030	CIRCULAR HEATING ELEMENT 2300W
54	12570010	UPPER HEATING ELEMENT 1000/1200
55a	12570000	BOTTOM HEATING ELEMENT 1100W (until 12/07/15)
55b	12570390	BOTTOM HEATING ELEMENT 1100W (from 13/07/15)
56a	12190030	FASTENER BOTTOM HEATING ELEMENT (until 23/06/15)
56b	12194240	FASTENER BOTTOM HEATING ELEMENT (from 24/06/15)
57	12200090	GRILL PAN SHELF
58a	12200100	DOUBLE HANDLE GRILL PAN (until 21/10/12)
58b	12200450	DOUBLE HANDLE GRILL PAN (from 22/10/12)
59	12200000	OVEN'S SIDE RACK
60	12280020	PAWL FOR SIDE RACK
64	42105251	PANEL SELF-CLEANING LEFT
65	42105241	PANEL SELF-CLEANING RIGHT
71	12541170	CREATIVE POWER BOARD 14F F48
72	42782040	CREATIVE DISPLAY BOARD 14F F48



## C2282 - Caple 48cm single oven

Item	Part Code	Description
77a	12600170	RIGHT PARTIAL EXTRACTION SIDE RACK Q4
77b	12600180	LEFT PARTIAL EXTRACTION SIDE RACK Q4
80	12740600	HANDLE SENSEHAN1 MAURICE LAY
81	42712817	GLASS DOOR
82	12190140	PLAQUE FIX.HANDLE BLACK
83a	12600110	OVEN HINGE (until 23/01/12)
83b	12600340	OVEN HINGE (from 24/01/12)
84	42710511	INNER DOOR
91a	12540400	NTC PROBE (until 29/06/15)
91b	12542080	NTC PROBE (from 30/06/15)
99	12380650	RUBBER FOOT FOR HINGE
151	12323261	3rd INNER GLASS THERMO REFLECTIVE
152	12191370	3rd GLASS FRAME FASTENER INOX
176	42191371	3rd GLASS FRAME FASTENER BLACK
177	42100872	FRONT WALL MUFFLE (from 24/03/14)
178	12111770	AIR CONVEYOR PROFILE RIGHT/LEFT
179	12381050	FIBERGLASS CREATIVE POWER BOARD
180A	12750271	Door wiring loom
180B	12750272	Door wiring loom



**LEGEND**

- 1- Power board
- 2- Thermal cut-out
- 3- Display board
- 4- Cooling fan motor
- 5- Oven light
- 6- Upper+grill heating element
- 7- Rotating spit motor (Optional)
- 8- Fan motor
- 9- Earth appliance
- 10- Circular heating element
- 11- Bottom heating element
- 12- Terminal supply

**SYMBOL LEGEND**

- P33 + P35= oven light
- P30= cooling fan motor
- P31= fan motor
- P32= rotating spit motor (Optional)
- P29= circular heating element
- P8= bottom heating element
- P9= grill heating element
- P10= upper heating element
- P23= neutral
- P22 + P37= Line
- P7 + P36= Neutral
- CO1= Temperature probe
- CO2= Meat probe (Optional)
- J3 = Oven light/open door (Optional)
- VS= Tex-glass
- GS= Silicon rubber
- F1= Earth display board

- Black GS 1,5 mm2 (Colour) (type) (section mm2)
- Protective tex-glass
- Fixing wires
- Earth wire



**C2282**

Caple 48cm single oven