



C2241SS

Caple Single Fan Oven

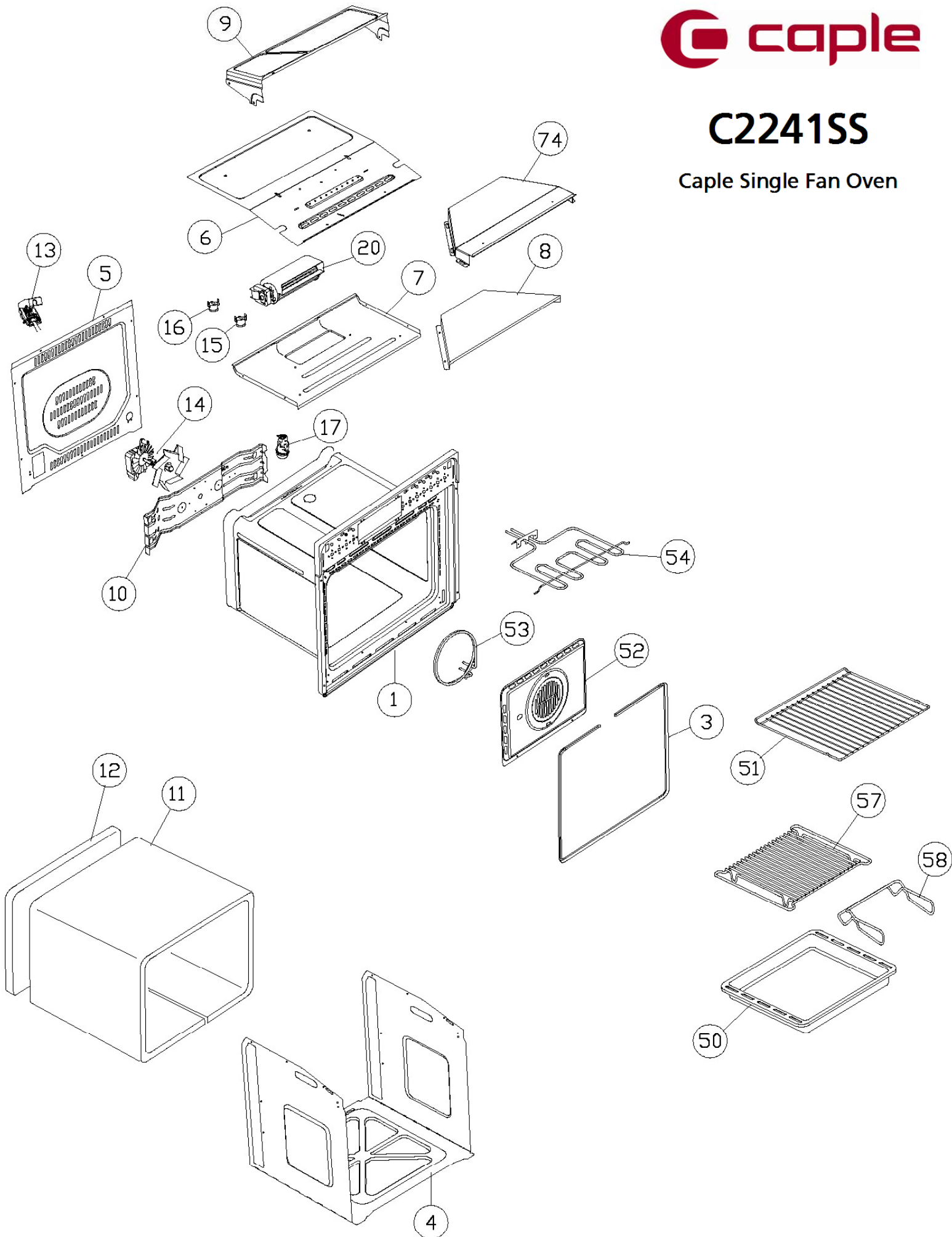


Technical information



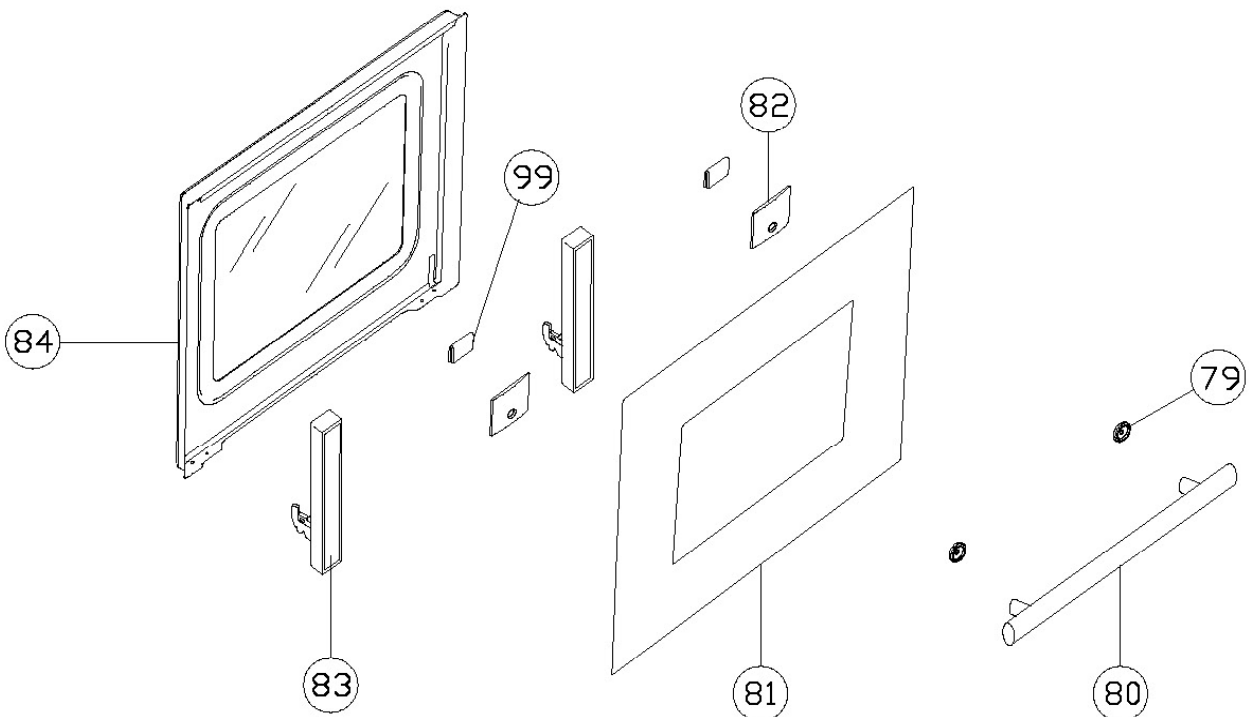
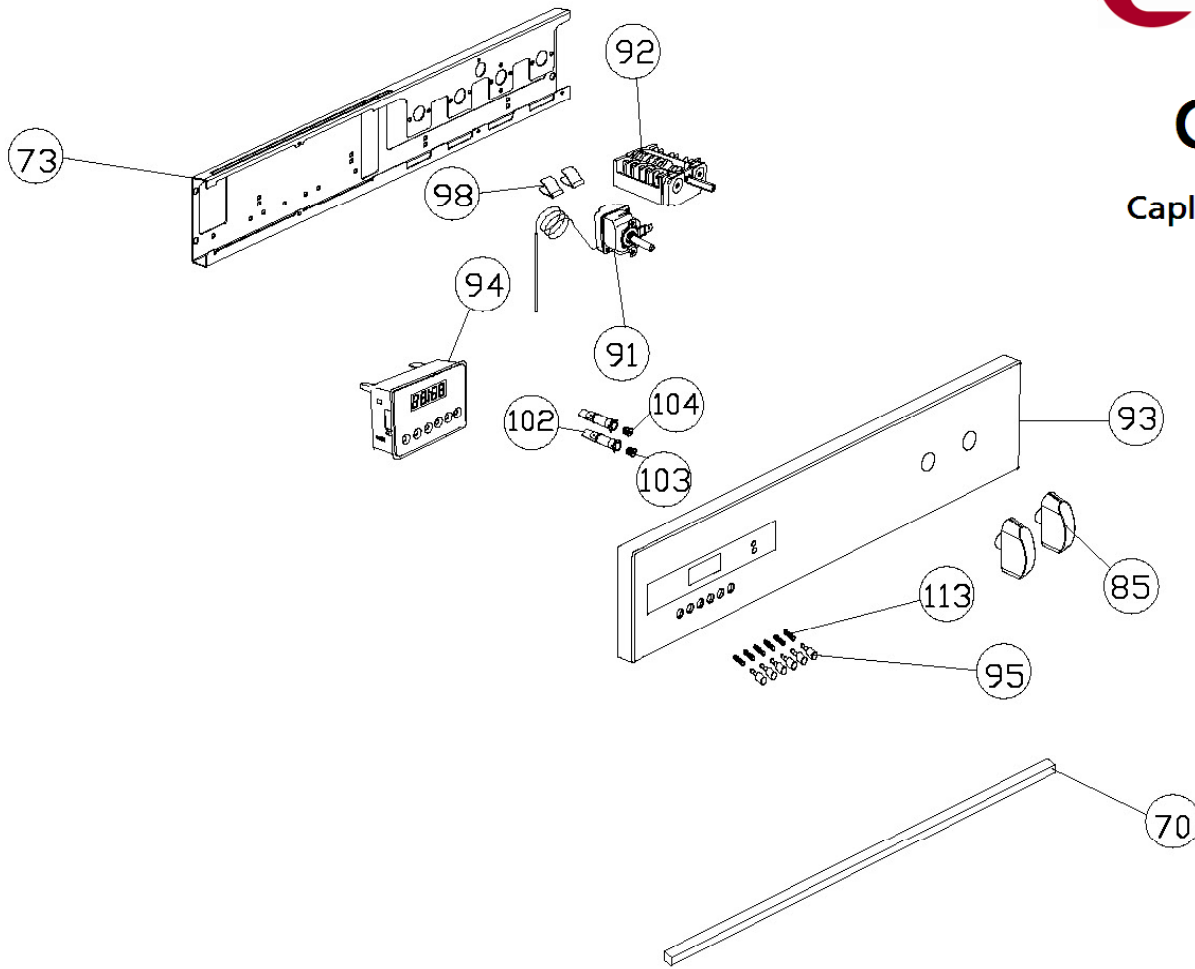
C2241SS

Caple Single Fan Oven



C2241SS

Caple Single Fan Oven





C2241SS - Caple Single Fan Oven

Item	Part Code	Description
1	42700441	MUFFLE
3	12380410	MUFFLE GASKET (until 15/01/08)
3	12380700	MUFFLE GASKET (from 16/01/08)
4	12110000	OUTER SHIELD
5	12110080	BACK SHIELD
6	12110010	TOP SHIELD (until 01/03/09)
6	12110990	TOP SHIELD (from 02/03/09)
7	12110100	LOWER AIR CONVEYOR F60 (until 17/11/08)
7	12110700	LOWER AIR CONVEYOR FG60 (from 18/11/08)
8	12110840	UPPER AIR CONVEYOR F60
9	12110030	CONTROLS SHIELD COVERING (until 24/10/07)
9	12110390	CONTROLS SHIELD COVERING (from 25/10/07)
10	12190020	SUPPORT BAR (until 23/03/11)
10	12192660	SUPPORT BAR (from 24/03/11)
11	12380000	FIBERGLASS SHELL
12	12380480	FIBERGLASS REAR
13	12530000	TERMINAL BLOCK/FASTEN CABLE 16A
14	12590030	RADIAL FAN
15	12540330	SAFETY THERMOSTAT PRESET T140°C (until 12/10/08)
15	12540941	SAFETY THERMOSTAT PRESET T140°C (from 13/10/08)
16	12540150	SAFETY THERMOSTAT PRESET T65°C (until 12/10/08)
16	12540930	SAFETY THERMOSTAT PRESET T65°C (from 13/10/08)
17	12540002	LAMP SOCKET 25W T300 230/240V
20	12590060	COOLING FAN
50	42105121	*TRAY F60 H30 BLACK (until 03/02/11)
50	42105291	TRAY F60 H30 BLACK (from 04/02/11)
51	12200010	SHELF
52	42105081	FAN COVER BLACK
53	12570030	CIRCULAR HEATING ELEMENT 2300W
54	12570020	GRILL HEATING ELEMENT 2000W
57	12200090	GRILL PAN SHELF
58	12200100	DOUBLE HANDLE GRILL PAN
70	12380280	ADHESIVE GASKET
73	12191710	FASTENER FRAME
74	12110720	UNIVERSAL TANGENTIAL CONVEYOR F60
79	12280284	RING NUT FOR HANDLE 111 IX.SAND
80	12220083	HANDLE MOD111 (until 27/09/09)
80	12220474	HANDLE MOD111A (from 28/09/09)
81	42712526	GLASS DOOR
82	12190140	PLAQUE FIX.HANDLE BLACK



C2241SS - Caple Single Fan Oven

Item	Part Code	Description
83	12600030	OVEN HINGE
84	42710070	INNER DOOR (until 15/03/09)
84	42710460	INNER DOOR (from 16/03/09)
85	11741801	KNOB
88	12540120	INDICATOR LAMP
89	11540420	RED LIGHT CAP (until 04/10/09)
89	11543380	SATINY RED LIGHT CAP (from 05/10/09)
90	11540422	ORANGE LIGHT CAP (until 21/09/09)
90	11543382	SATINY ORANGE LIGHT CAP (from 22/09/09)
91	12540310	THERMOSTAT (until 13/04/09)
91	12541080	THERMOSTAT (from 14/04/09)
92	12540180	COMMUTATOR
93	42715383	FRONTAL GLASS
94	12540425	EL.TIMER GREEN
95	12300113	BUTTON
98	12280000	SPRING FOR THERMOSTAT BULB
99	12380090	RUBBER FOOT FOR HINGE (until 15/03/09)
99	12380650	RUBBER FOOT FOR HINGE (from 16/03/09)
113	12280150	PHOENIX BUTTON SPRING