



C2219

Caple Side open single Oven



Technical information



New product information sheet

Product name: C2219
Description: Caple Side open single Oven
Product code: C2219

Features

Energy class A

4 Functions:

- *light*
- *fan heat*
- *full grill*
- *turbo defrost*

58 Litre capacity

Programmable electronic timer

Stainless steel and black glass

Stainless steel, black-spot feature bar handle

Closed door grilling

Tangential cooling fan

Smooth and flat oven sides with chrome shelf racks

Double glazed door with heat reflective glass

Full width sealed inner door glass

Magnetic door closure

Top interior lights

Accessories

1 Safety-stop shelf

1 Grill pan with handle

Electrical connection

Rated load 2.40kW

Fuse rating 13A

Optional extras

Side and rear catalytic liners CAPCAT4



1

Potete scegliere l'apertura della porta verso destra o verso sinistra prima di collocare il prodotto nell'incasso.

Decide whether you want the door to open to the left or right before positioning the appliance in the oven recess

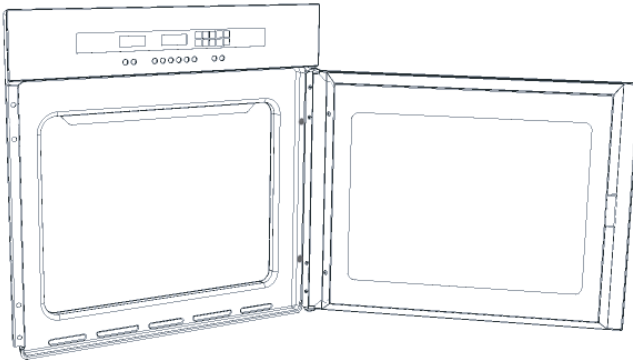
Possibilité de choisir l'ouverture de la porte vers la droite ou vers la gauche avant de placer la pièce dans le logement.

Vor dem Einbau des Gerätes kann gewählt wählen, ob die Türöffnung nach rechts oder links erfolgt.

Antes de encastrar el aparato, es posible elegir si la puerta se abrirá hacia la derecha o la izquierda.

Voordat u het apparaat in de ombouw plaatst, kunt u kiezen om de deur naar rechts of naar links te openen.

Antes de colocar o produto no encaixe, poderá optar entre a abertura da porta para a direita ou para a esquerda.



2

Aprire completamente la porta.

Fully open the door.

Ouvrir complètement la porte.

Die Tür vollständig öffnen.

Abra completamente la puerta.

Open de deur volledig.

Abra completamente a porta.

3

Remove the four fixing screws from the door hinge.

Remove the four fixing screws from the door hinge.

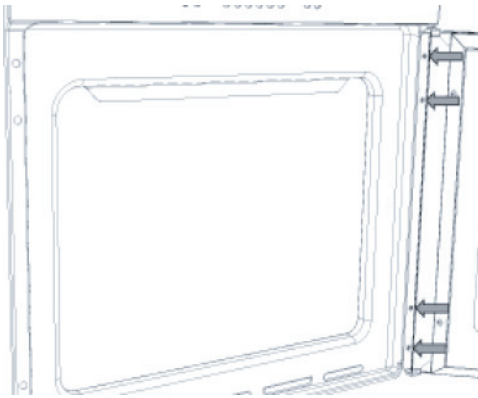
Enlever les quatre vis de fixation qui bloquent la charnière de la porte sur le four...

Die vier Befestigungsschrauben des Türscharniers am Ofen entfernen...

Quite los cuatro tornillos que fijan la bisagra de la puerta al horno...

Verwijder de vier bevestigingsschroeven die het scharnier van de ovendeur blokkeren...

Retire os quatro parafusos de bloqueio que fixam a dobradiça da porta ao forno...



...quindi rimuovere i quattro tappi di plastica nel lato opposto.

Remove the four plastic caps from the opposite side.

...enlever les quatre bouchons en plastique de l'autre côté.

...danach auf der Gegenseite die vier Kunststoffstöpsel entfernen

...quite los cuatro embellecedores de plástico del lado opuesto.

...verwijder daarna de vier plastic doppen aan de andere kant.

...de seguida, retire os quatro tampões de plástico no lado oposto.

4

Capovolgere la porta di 180°.

Turn the door 180°.

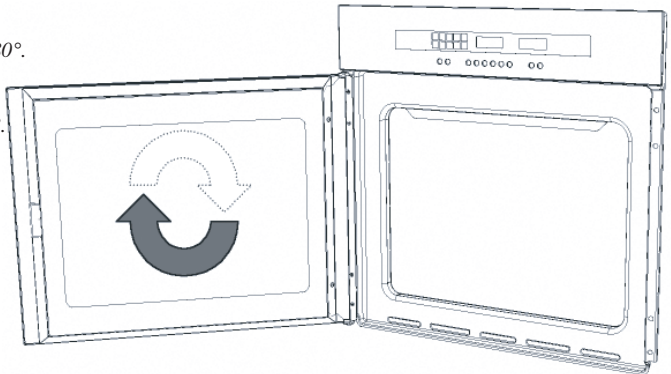
Retourner la porte de 180°.

Die Tür um 180° drehen.

Gire la puerta 180°.

Draai de deur 180° om.

Vire a porta 180°.



Bloccare la porta fissando saldamente le 4 viti tolte in precedenza.

Secure the door in its new position using the 4 screws removed previously.

Bloquer la porte en la fixant solidement à l'aide des 4 vis préalablement déposées.

Die Tür befestigen, indem die 4 zuvor entfernten Schrauben fest eingedreht werden.

Bloquee la puerta con los cuatro tornillos extraídos anteriormente.

Maak de deur vast door de 4 eerder verwijderde schroeven te bevestigen.

Bloqueie a porta, fixando os 4 parafusos removidos anteriormente.

6

NOTA: Controllare che la porta del forno sia parallela al frontalino (altrimenti agire sulle viti appena fissate per regolarla).

NOTE: Make sure that the oven door is perfectly parallel with the front panel. If it is not, adjust it by means of the screws you have just inserted.

REMARQUE : Contrôler que la porte du four est parallèle à la façade (sinon intervenir sur les vis venant d'être fixées pour la régler).

HINWEIS: Kontrollieren, ob die Ofentür parallel zur Frontblende ist (andernfalls mit den zuvor befestigten Schrauben regulieren).

NOTA: Controle que la puerta del horno esté paralela al frontal; si no es así, gire los tornillos recién colocados para ajustarla.

OPMERKING: controleer of de oven deur parallel is met het frontstuk (draai anders aan de zojuist bevestigde schroeven om hem af te stellen).

NOTA: Certifique-se de que a porta do forno está paralela ao painel frontal (caso contrário, rode os parafusos para regulá-la).

Fissare il forno nell'incasso usando le 4 viti con i distanziali in plastica forniti a corredo.

Fix the oven in the oven recess using the 4 screws and the plastic spacers provided.

Fixer le four dans le logement à l'aide des 4 vis avec les entretoises en plastique fournies avec l'appareil.

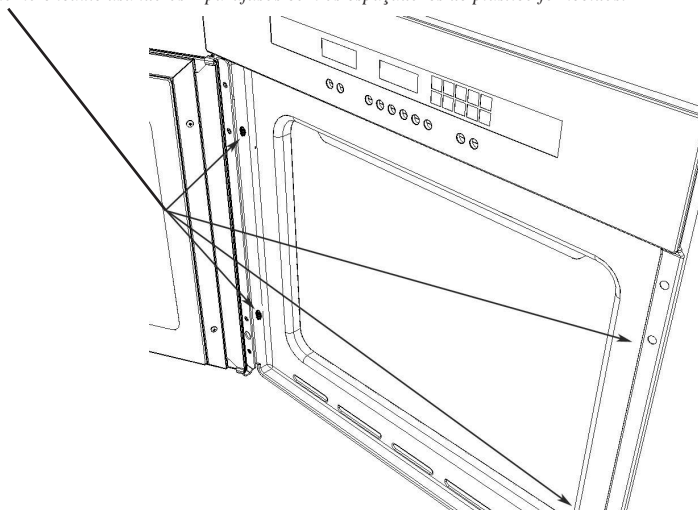
Den Ofen einbauen, hierzu die 4 Schrauben mit den mitgelieferten Kunststoff-Distanzhaltern verwenden.

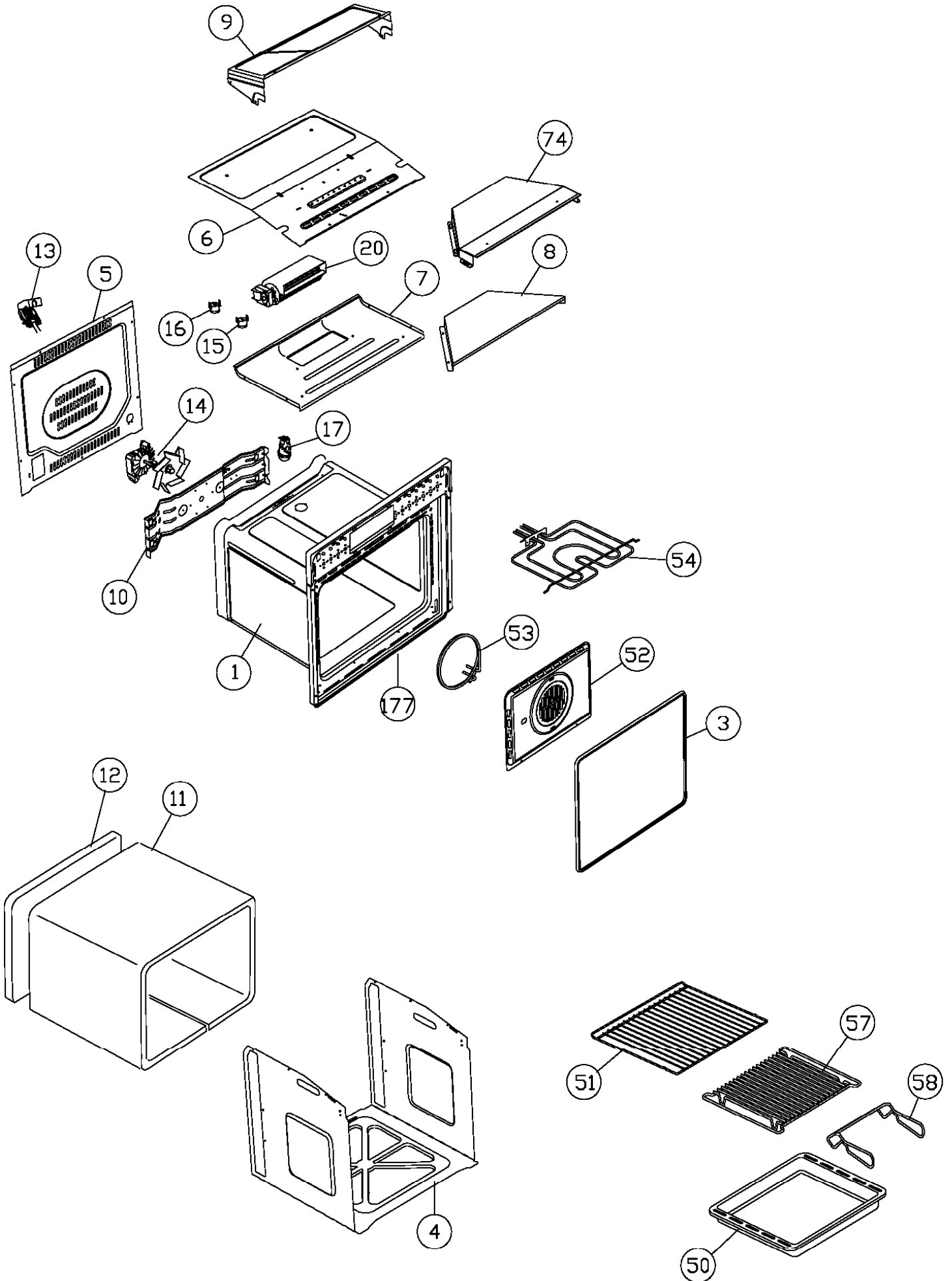
Fije el horno al hueco mediante los cuatro tornillos con distanciadores de plástico que se incluyen en el sum.

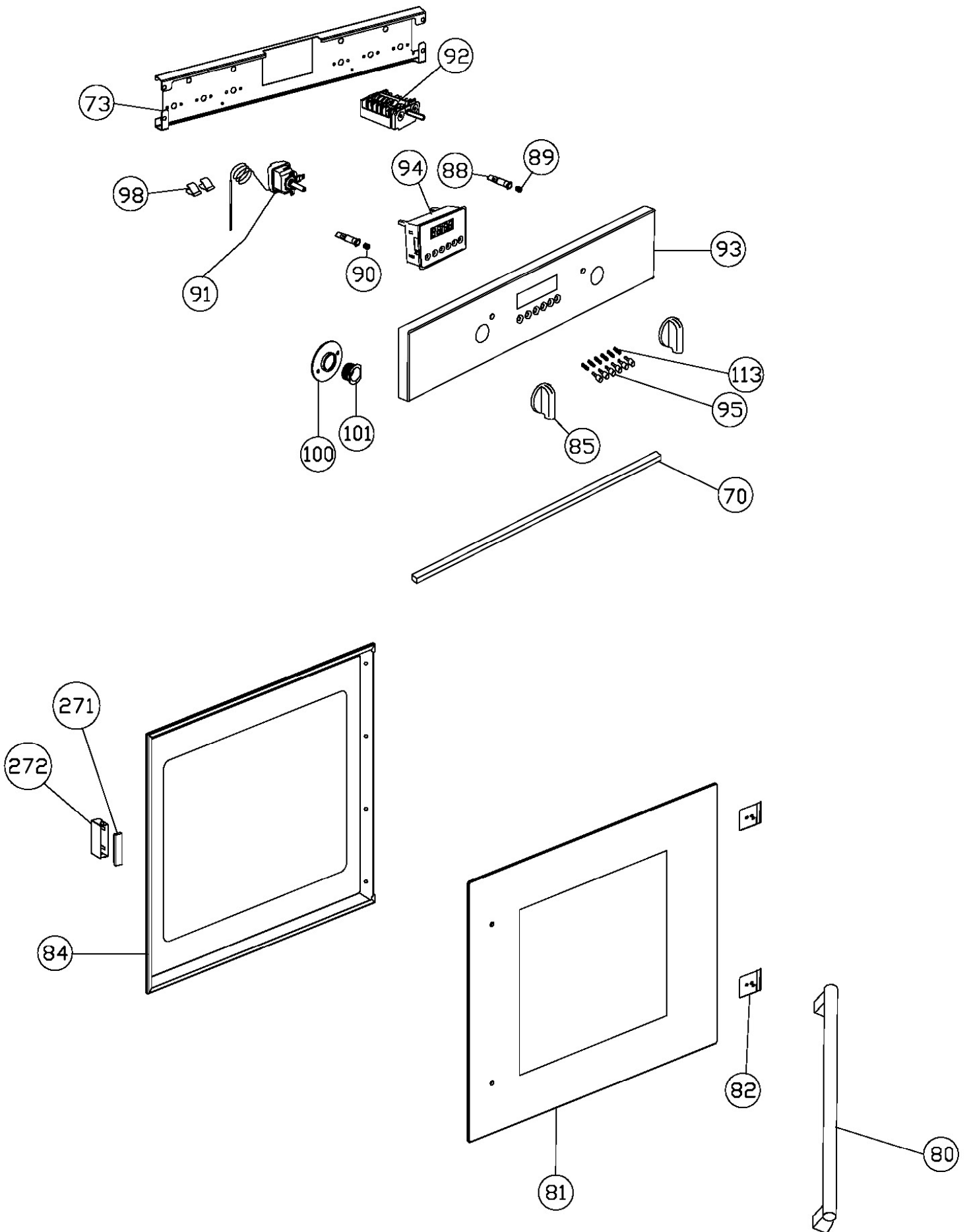
Bevestig de oven in de ombouw met behulp van de 4 schroeven met de bijgeleverde plastic afstandhouders.

Fixe o forno no encaixe usando os 4 parafusos com os espaçadores de plástico fornecidos.

7









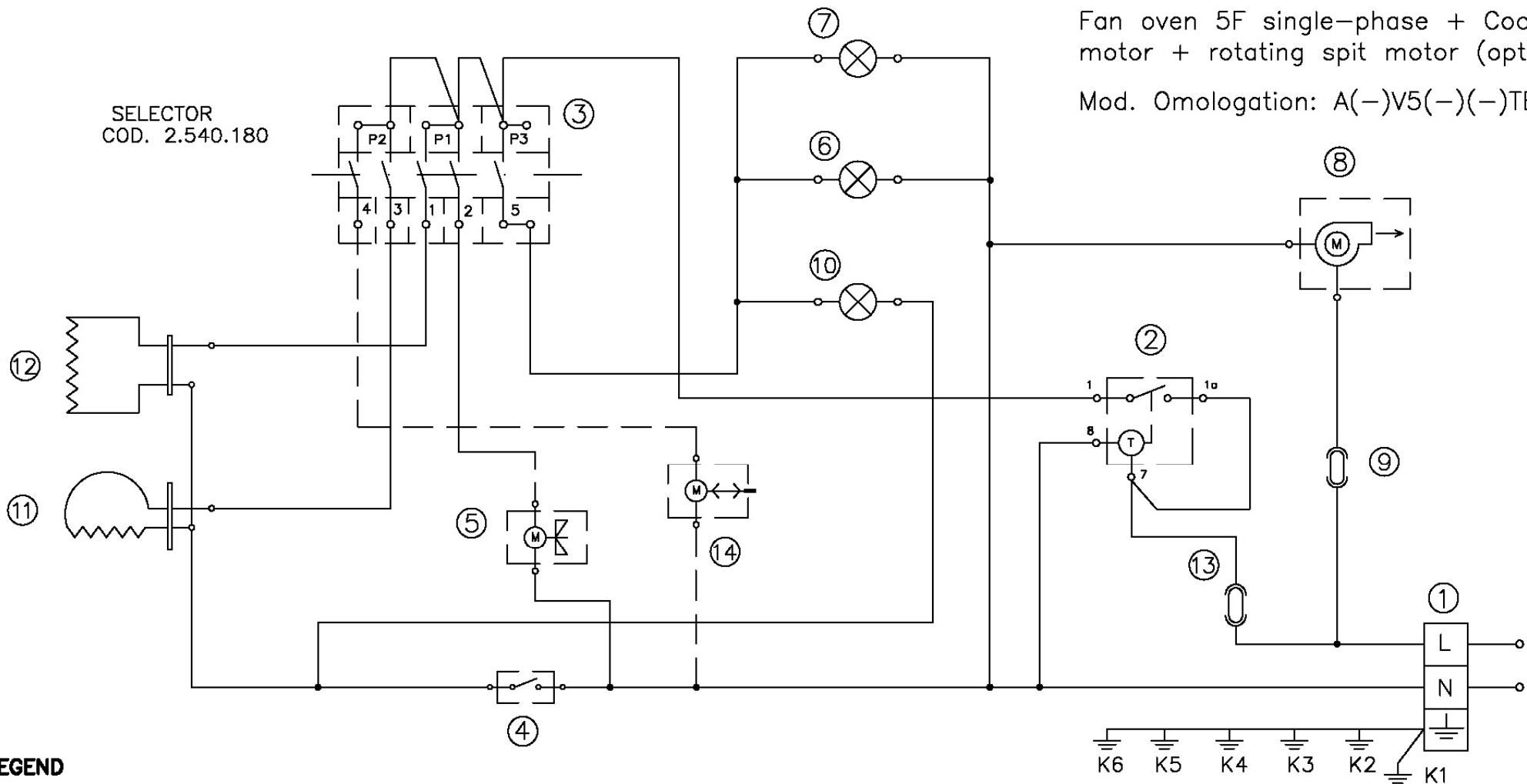
C2219 - Caple single oven

| Item | Part Code | Description |
|------|-----------|--|
| 1a | 42700861 | MUFFLE (until 23/03/14) |
| 1b | 42703301 | MUFFLE (from 24/03/14) |
| 3a | 12380870 | MUFFLE GASKET (until 16/11/11) |
| 3b | 12380130 | MUFFLE GASKET (from 17/11/11 until 09/02/12) |
| 3c | 12381510 | MUFFLE GASKET (from 10/02/12 until 08/07/12) |
| 3d | 12381600 | MUFFLE GASKET (from 09/07/12 until 23/03/14) |
| 3e | 12382120 | MUFFLE GASKET (from 24/03/14) |
| 4 | 12110000 | OUTER SHIELD |
| 5 | 12110080 | BACK SHIELD |
| 6 | 12110990 | TOP SHIELD |
| 7a | 12110700 | LOWER AIR CONVEYOR FG60 (until 19/06/11) |
| 7b | 12112290 | LOWER AIR CONVEYOR FG60 (from 20/06/11 until 24/05/12) |
| 7c | 12112510 | LOWER AIR CONVEYOR FG60 (from 25/05/12) |
| 8 | 12110840 | UPPER AIR CONVEYOR F60 |
| 9 | 12110390 | CONTROLS SHIELD COVERING |
| 10a | 12190020 | SUPPORT BAR (until 23/03/11) |
| 10b | 12192660 | SUPPORT BAR (from 24/03/11) |
| 11a | 12380000 | FIBERGLASS SHELL (until 25/10/15) |
| 11b | 12382230 | FIBERGLASS SHELL (from 26/10/15) |
| 12a | 12380480 | FIBERGLASS REAR (until 01/11/15) |
| 12b | 12382320 | FIBERGLASS REAR (from 02/11/15) |
| 13 | 12530000 | TERMINAL BLOCK/FASTEN CABLE 16A |
| 14a | 12590030 | RADIAL FAN (until 09/10/11) |
| 14b | 12590190 | RADIAL FAN (from 10/10/11) |
| 15 | 12540941 | SAFETY THERMOSTAT PRESET T140°C |
| 16 | 12540930 | SAFETY THERMOSTAT PRESET T65°C |
| 17a | 12540002 | LAMP SOCKET 25W T300 230/240V (until 26/07/15) |
| 17b | 12541980 | HALOGEN LAMP SOCKET 25W 230V (from 27/07/15) |
| 20 | 12590060 | TANGENTIAL COOLING FAN |
| 50 | 42105291 | TRAY F60 H30 BLACK |
| 51 | 12200230 | SHELF |
| 52 | 42105081 | FAN COVER BLACK |
| 53 | 12570030 | CIRCULAR HEATING ELEMENT 2300W |
| 54 | 12570020 | GRILL HEATING ELEMENT 2000W |
| 57 | 12200090 | GRILL PAN SHELF |
| 58a | 12200100 | DOUBLE HANDLE GRILL PAN (until 21/10/12) |
| 58b | 12200450 | DOUBLE HANDLE GRILL PAN (from 22/10/12) |
| 59 | 12200000 | OVEN's SIDE RACK |
| 60 | 12280020 | PAWL FOR SIDE RACK |
| 70a | 12380280 | ADHESIVE GASKET (until 10/05/15) |
| 70b | 08GS5X6 | ADHESIVE RUBBER 5X6 (from 11/05/15) |
| 73 | 12191490 | FRAME |
| 74 | 12110720 | UNIVERSAL TANGENTIAL CONVEYOR F60 |
| 80 | 12740610 | HANDLE SENSEHAN3 MAURICE LAY |



C2219 - Caple single oven

| Item | Part Code | Description |
|------|-----------|---|
| 81 | 42712821 | GLASS DOOR |
| 82 | 12190140 | PLAQUE FIX.HANDLE BLACK |
| 84a | 42710560 | INNER DOOR (until 16/11/11) |
| 84b | 42710710 | INNER DOOR (from 17/11/11) |
| 85 | 11741801 | KNOB |
| 88 | 12540120 | INDICATOR LAMP |
| 89 | 11543380 | SATINY RED LIGHT CAP |
| 90 | 11543382 | SATINY ORANGE LIGHT CAP |
| 91 | 12541080 | THERMOSTAT |
| 92 | 12540180 | COMMUTATOR |
| 93 | 42715575 | FRONTAL GLASS |
| 94a | 12540425 | ELECTRONIC TIMER GREEN (until 31/05/12) |
| 94b | 12541535 | ELECTRONIC TIMER GREEN (from 01/06/12) |
| 95 | 12300113 | BUTTON |
| 98 | 12280000 | SPRING FOR THERMOSTAT BULB |
| 100 | 12280030 | FLANGE FIX.GLASS |
| 101 | 12280040 | NUT FOR FLANGE H9 |
| 113 | 12280150 | PHOENIX BUTTON SPRING |
| 174 | 12280360 | MAGNET FOR SWING DOOR 60 (until 16/11/11) |
| 175 | 12192380 | CLIPS FOR MAGNET OF SWING DOOR (until 16/11/11) |
| 177 | 42705081 | FRONT WALL MUFFLE (from 24/03/14) |
| 271 | 12280430 | MAGNET FOR SWING DOOR 60 (from 17/11/11) |
| 272 | 12740760 | MAGNET CONTAINER (from 17/11/11) |



LEGEND

- | | |
|---------------------------------|---|
| 1- Supply terminal | 13- Thermal cut-out |
| 2- Electronic timer | 14- Rotating spit motor (Optional) |
| 3- Selector | |
| 4- Oven thermostat | K1- Earth appliance |
| 5- Fan motor | K2- Earth fan motor |
| 6- Pilot lamp selector | K3- Earth rotating spit motor(Optional) |
| 7- Oven light | K4- Earth grill heating element |
| 8- Cooling fan motor | K5- Earth lamp holder |
| 9- Thermostat start cooling fan | K6- Earth thermostat |
| 10- Pilot lamp thermostat | |
| 11- Circular heating element | |
| 12- Grill heating element | |

 **caple**

C2219

Caple Side open single Oven