



C2212SS

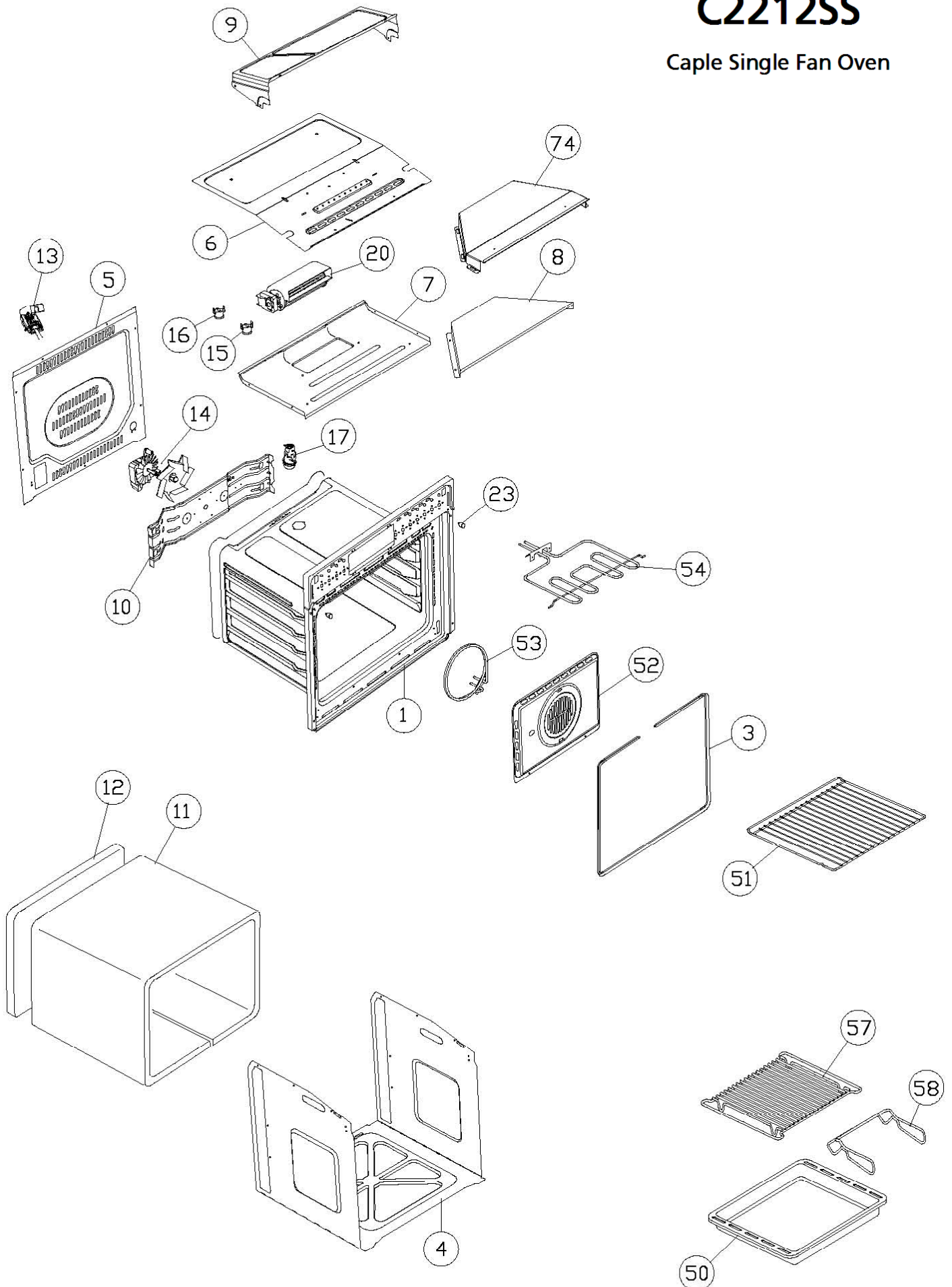
Caple Single Fan Oven



Technical information

C2212SS

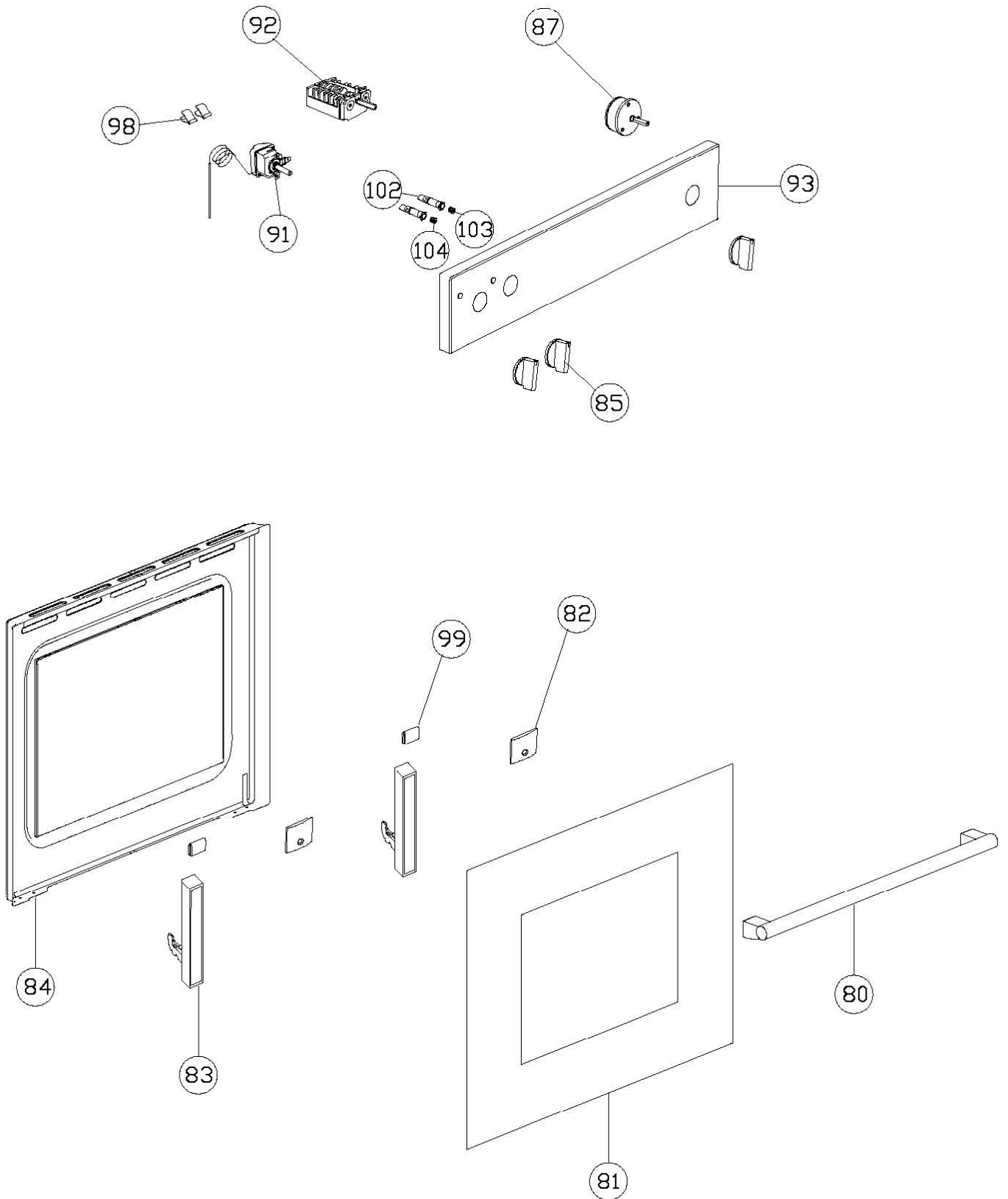
Caple Single Fan Oven





C2212SS

Caple Single Fan Oven





C2212SS - Caple Single Fan Oven

Item	Part Code	Description
1	42700411	MUFFLE
3	12380410	MUFFLE GASKET (Before 16-Jan-08)
3	12380700	MUFFLE GASKET (From 16-Jan-08)
54	12570020	GRILL HEATING ELEMENT 2000W
53	12570030	CIRCULAR HEATING ELEMENT 2300W
14	12590030	RADIAL FAN
17	12540002	LAMP SOCKET 25W T300 230/240V
10	12190020	SUPPORT BAR (before 24-Mar-11)
10	12192660	SUPPORT BAR (from 24-Mar-11)
11	12380000	FIBERGLASS SHELL
12	12380480	FIBERGLASS REAR
4	12110000	OUTER SHIELD
7	12110100	LOWER AIR CONVEYOR F60 (before 18-Nov-08)
7	12110700	LOWER AIR CONVEYOR FG60 (from 18-Nov-08)
8	12110840	UPPER AIR CONVEYOR F60
20	12590060	COOLING FAN
74	12110720	UNIVERSAL TANGENTIAL CONVEYOR F60
92	12540180	COMMUTATOR
15	12540330	SAFETY THERMOSTAT PRESET T140°C (before 13-Oct-08)
15	12540941	SAFETY THERMOSTAT PRESET T140°C (from 13-Oct-08)
16	12540150	SAFETY THERMOSTAT PRESET T65°C (before 13-Oct-08)
16	12540930	SAFETY THERMOSTAT PRESET T65°C (from 13-Oct-08)
91	12540310	THERMOSTAT (before 14-Apr-09)
91	12541080	THERMOSTAT (from 14-Apr-09)
102	12540130	INDICATOR LAMP
103	12540140	RED LIGHT CAP
104	12540142	ORANGE LIGHT CAP
98	12280000	SPRING FOR THERMOSTAT BULB
87	12600010	TIMER 60' CD360 T125
23	11380500	EPDM H.6 CRYSTAL SPACER
93	12163064	CONTROL PANEL
85	11741801	KNOB
6	12110010	TOP SHIELD (Before 2-Mar-09)
6	12110990	TOP SHIELD (from 2-Mar-09)
5	12110080	BACK SHIELD
9	12110030	CONTROLS SHIELD COVERING (before 19-Jan-09)
9	12110390	CONTROLS SHIELD COVERING (from 19-Jan-09)
13	12530000	TERMINAL BLOCK/FASTEN CABLE 16A
84	42710070	INNER DOOR (before 16-Mar-09)
84	42710460	INNER DOOR (from 16-Mar-09)
99	12380090	RUBBER FOOT FOR HINGE (before 16-Mar-09)



C2212SS - Caple Single Fan Oven

Item	Part Code	Description
99	12380650	RUBBER FOOT FOR HINGE (from 16-Mar-09)
83	12600030	OVEN HINGE
81	42712526	GLASS DOOR
82	12190140	PLAQUE FIX.HANDLE BLACK
80	12220083	HANDLE MOD111 (before 28-Sep-09)
80	12220474	HANDLE MOD111A (from 28-Sep-09)
79	12280284	RING NUT FOR HANDLE 111 IX.SAND
52	42105081	FAN COVER BLACK
51	12200010	SHELF
50	42105121	*TRAY F60 H30 BLACK (before 4-Feb-11)
50	42105291	TRAY F60 H30 BLACK (from 4-Feb-11)
57	12200090	GRILL PAN SHELF
58	12200100	DOUBLE HANDLE GRILL PAN